



# Cisco CGR 1000 and 2000 Series Connected Grid Antennas Guide

## **Americas Headquarters**

Cisco Systems, Inc.  
170 West Tasman Drive  
San Jose, CA 95134-1706  
USA  
<http://www.cisco.com>  
Tel: 408 526-4000  
800 553-NETS (6387)  
Fax: 408 527-0883

Text Part Number:

THE SPECIFICATIONS AND INFORMATION REGARDING THE PRODUCTS IN THIS MANUAL ARE SUBJECT TO CHANGE WITHOUT NOTICE. ALL STATEMENTS, INFORMATION, AND RECOMMENDATIONS IN THIS MANUAL ARE BELIEVED TO BE ACCURATE BUT ARE PRESENTED WITHOUT WARRANTY OF ANY KIND, EXPRESS OR IMPLIED. USERS MUST TAKE FULL RESPONSIBILITY FOR THEIR APPLICATION OF ANY PRODUCTS.

THE SOFTWARE LICENSE AND LIMITED WARRANTY FOR THE ACCOMPANYING PRODUCT ARE INCORPORATED HEREIN BY THIS REFERENCE. IF YOU ARE UNABLE TO LOCATE THE SOFTWARE LICENSE OR LIMITED WARRANTY, CONTACT YOUR CISCO REPRESENTATIVE FOR A COPY.

The following information is for FCC compliance of Class A devices: This equipment has been tested and found to comply with the limits for a Class A digital device, pursuant to part 15 of the FCC rules. These limits are designed to provide reasonable protection against harmful interference when the equipment is operated in a commercial environment. This equipment generates, uses, and can radiate radio-frequency energy and, if not installed and used in accordance with the instruction manual, may cause harmful interference to radio communications. Operation of this equipment in a residential area is likely to cause harmful interference, in which case users will be required to correct the interference at their own expense.

The following information is for FCC compliance of Class B devices: This equipment has been tested and found to comply with the limits for a Class B digital device, pursuant to part 15 of the FCC rules. These limits are designed to provide reasonable protection against harmful interference in a residential installation. This equipment generates, uses and can radiate radio frequency energy and, if not installed and used in accordance with the instructions, may cause harmful interference to radio communications. However, there is no guarantee that interference will not occur in a particular installation. If the equipment causes interference to radio or television reception, which can be determined by turning the equipment off and on, users are encouraged to try to correct the interference by using one or more of the following measures:

- Reorient or relocate the receiving antenna.
- Increase the separation between the equipment and receiver.
- Connect the equipment into an outlet on a circuit different from that to which the receiver is connected.
- Consult the dealer or an experienced radio/TV technician for help.

Modifications to this product not authorized by Cisco could void the FCC approval and negate your authority to operate the product.

The Cisco implementation of TCP header compression is an adaptation of a program developed by the University of California, Berkeley (UCB) as part of UCB's public domain version of the UNIX operating system. All rights reserved. Copyright © 1981, Regents of the University of California.

NOTWITHSTANDING ANY OTHER WARRANTY HEREIN, ALL DOCUMENT FILES AND SOFTWARE OF THESE SUPPLIERS ARE PROVIDED "AS IS" WITH ALL FAULTS. CISCO AND THE ABOVE-NAMED SUPPLIERS DISCLAIM ALL WARRANTIES, EXPRESSED OR IMPLIED, INCLUDING, WITHOUT LIMITATION, THOSE OF MERCHANTABILITY, FITNESS FOR A PARTICULAR PURPOSE AND NONINFRINGEMENT OR ARISING FROM A COURSE OF DEALING, USAGE, OR TRADE PRACTICE.

IN NO EVENT SHALL CISCO OR ITS SUPPLIERS BE LIABLE FOR ANY INDIRECT, SPECIAL, CONSEQUENTIAL, OR INCIDENTAL DAMAGES, INCLUDING, WITHOUT LIMITATION, LOST PROFITS OR LOSS OR DAMAGE TO DATA ARISING OUT OF THE USE OR INABILITY TO USE THIS MANUAL, EVEN IF CISCO OR ITS SUPPLIERS HAVE BEEN ADVISED OF THE POSSIBILITY OF SUCH DAMAGES.

Any Internet Protocol (IP) addresses and phone numbers used in this document are not intended to be actual addresses and phone numbers. Any examples, command display output, network topology diagrams, and other figures included in the document are shown for illustrative purposes only. Any use of actual IP addresses or phone numbers in illustrative content is unintentional and coincidental.

All printed copies and duplicate soft copies are considered un-Controlled copies and the original on-line version should be referred to for latest version.

Cisco has more than 200 offices worldwide. Addresses, phone numbers, and fax numbers are listed on the Cisco website at [www.cisco.com/go/offices](http://www.cisco.com/go/offices).

© 2015-2018 Cisco Systems, Inc. All rights reserved.

Cisco and the Cisco logo are trademarks or registered trademarks of Cisco and/or its affiliates in the U.S. and other countries. To view a list of Cisco trademarks, go to this URL: [www.cisco.com/go/trademarks](http://www.cisco.com/go/trademarks). Third-party trademarks mentioned are the property of their respective owners. The use of the word partner does not imply a partnership relationship between Cisco and any other company. (1721R)



# Cisco CGR 1000 and 2000 Series Connected Grid Antennas Overview

This document provides the descriptions and installation instructions for wireless antennas supported on Cisco 1000 and 2000 Series Connected Grid (CGR) routers.

Antennas might be installed into the host router prior to delivery or ordered separately as a field-replaceable unit.

This chapter covers the following topics:

- [Overview, page 3](#)
- [Supported Antennas, page 4](#)
- [Supported Antenna Accessories, page 5](#)

**Note: More information about Cisco Connected Grid modules**—For detailed information about the Connected Grid modules, see the corresponding installation and configuration guide for each module.

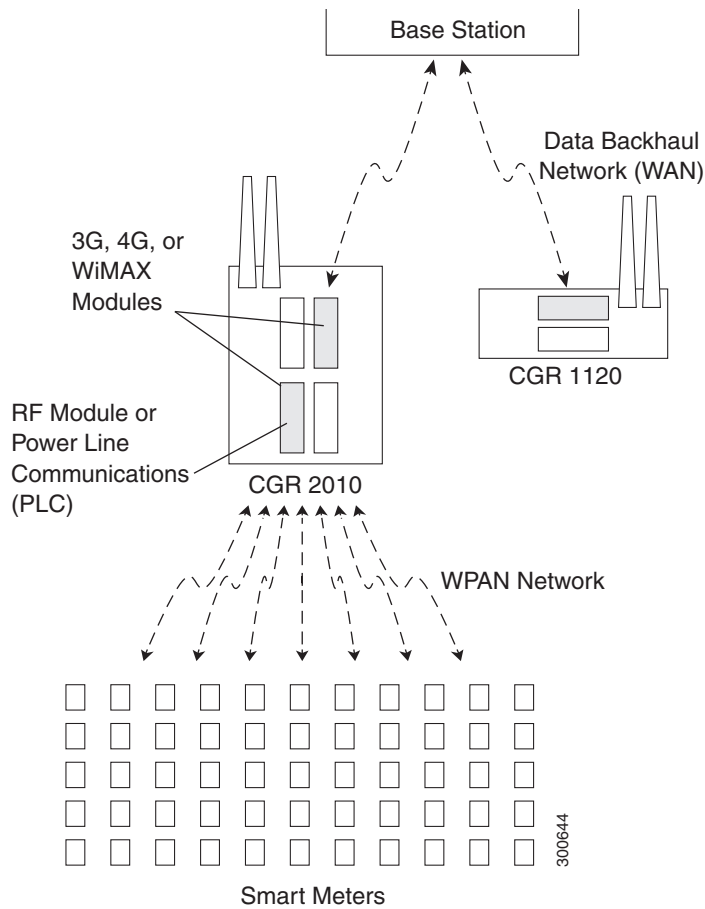
## Overview

Deciding which antenna to use involves many factors such as coverage area, maximum distance, indoor location, outdoor location, and antenna height.

When antennas are used indoors, the building construction, ceiling height, and internal obstructions must be considered. In outdoor environments, obstructions such as trees, vehicles, buildings, and hills must be considered. Distance is the primary factor when using outdoor-wireless communications; however, coverage area also becomes important when you are using wireless client devices to communicate with the wireless device.

Cisco Connected Grid 1000 Series and 2000 Series routers support various types of antennas for wireless communication in Smart Grid backhaul and WPAN networks.

**Figure 1 Smart Grid Wireless Communication**



## Supported Antennas

The following table lists the supported CGR antennas, cables, and accessories:

Part Number	Description	Supported Router
ANT-MP-INT-OUT-M	(Configured) Multi-purpose integrated monopole antenna, chassis-mounted, omnidirectional, includes non-integrated coaxial cable. No cable (option class).	CGR 1240
ANT-MP-INT-OUT-M=	(Spare) Multi-purpose integrated monopole antenna, chassis-mounted, omnidirectional, includes internal coaxial cable: LMR-100, 17.5 internal cable, QMA (M)-MCX (M) (PID: CAB-L10-9-Q-M).	CGR 1240
ANT-WPAN-OM-OUT-N	Outdoor omnidirectional stick antenna for 900 MHz WPAN	CGR 1240, 1120
ANT-4G-OMNI-OUT-N	Outdoor omnidirectional stick antenna for 2G/3G/4G Cellular	CGR 1240, 1120, 2010
ANT-3G-PNL-OUT-N	Multiband flat-panel outdoor 3G antenna	CGR 1240, 1120
ANT-4G-PNL-OUT-N	Multiband flat-panel outdoor 4G antenna	CGR 1240, 1120, 2010
ANT-1.8-PNL-OUT-N	Outdoor flat-panel antenna for WiMAX 1.8 GHz	CGR 1240, 1120
ANT-2.X-PNL-OUT-N	Outdoor flat-panel antenna for WiMAX 2.5 GHz	CGR 1240, 1120
ANT-3.X-PNL-OUT-N	Outdoor flat-panel antenna for WiMAX 3.8 GHz	CGR 1240, 1120

Part Number	Description	Supported Router
ANT-4G-DP-IN-TNC	Indoor articulating (swivel-mount) dipole	CGR 1120
ANT-4G-CM-IN-TNC	Indoor volcano ceiling mount	CGR 1120
ANT-4G-SR-OUT-TNC	Integrated 4G, low-profile outdoor saucer antenna	CGR 1000 Series (CG 2G/3G/4G GRWIC)
ANT-GPS-OUT-TNC	GPS antenna, integrated 15' LMR-100 cable with RA-TNC(m) <sup>1</sup> , quantity 1	CGR 1120, 2010
ANT-MP2-INT-OUT-M and ANT-MP2-I-O-SS-M	Multi-purpose Integrated antennas designed for direct mounting	CGR 1240
ANT-4G-SR-OUT-TNC	Multiband low-profile saucer outdoor 4G Antenna	CGR 1120

1. (m) = male

## Supported Antenna Accessories

The following table lists the supported CGR antennas, cables, and accessories.

Part Number	Description	Supported Router
ANT-MP-I-OUT-SS-M	3G or 4G integrated antenna kit (used with external antennas and 3G or 4G module): RA-QMA(m) <sup>2</sup> to RA-MCX(m), LMR-100, 10.5" (quantity 2) N(f)-to-MCX(f) coaxial adapter weather-proof cap coaxial seal electrical-joint compound	CGR 1240
ANT-MP-IN-OUT-LS-M	3G or 4G integrated antenna kit (used with external antennas and 3G or 4G module): RA-QMA(m) to RA-MCX(m), LMR-100, 17.5" (quantity 1) RA-QMA(m) to RA-MCX(m), LMR-100, 10.5" (quantity 1) weather-proof cap coaxial seal electrical-joint compound	CGR 1240
ANT-MP-INT-OUT-M	900 MHz integrated antenna kit (used with external antenna and 900 MHz module): RA-QMA(m) to RA-MCX(m), LMR-100, 10.5" (quantity 1) weather-proof cap coaxial seal electrical-joint compound	CGR 1240
CGR-LA-NM-NF	Lightning arrestor kit	CGR 1240
CGR-LA-NF-NF	Lightning arrestor kit	CGR 1120
CGR-PMK1000	Pole-mount kit (brackets, plate, washers, carriage bolts)	CGR 1240, 1120
CGR-N-CONN	N-connector kit: LMR-400 cable, weather-proof cap, coaxial seal, electrical-joint compound (used with external antennas and 3G module)	CGR 1240, 1120
CGR-N-CONN-WIMAX	N-connector kit: LMR-400 cable, weather-proof cap, coaxial seal, electrical-joint compound (used with external antennas and WiMAX module)	CGR 1240, 1120

For detailed information about Cisco Antennas, please refer to the following guides:

---

Cisco Industrial Routers Antenna Guide:

<http://www.cisco.com/c/en/us/td/docs/routers/connectedgrid/antennas/installing-combined/industrial-routers-antenna-guide.html>

Cisco Aironet Antennas and Accessories Reference Guide

[http://www.cisco.com/c/en/us/products/collateral/wireless/aironet-antennas-accessories/product\\_data\\_sheet09186a008008883b.html](http://www.cisco.com/c/en/us/products/collateral/wireless/aironet-antennas-accessories/product_data_sheet09186a008008883b.html)



# Antenna Use Cases

This section provides some of the typical use cases for wireless antennas supported on Cisco 1000 and 2000 Series Connected Grid (CGR) routers. This section contains the following:

- [Antennas for the 4G Module in CGR 2010 \(WAN\), page 7](#)
- [Antennas for Radio Modules in CGR 1120 \(WAN\), page 10](#)
- [Antennas for Radio Modules in CGR 1240 \(WAN and WPAN\), page 17](#)

## Antennas for the 4G Module in CGR 2010 (WAN)

The following lists the supported antennas for the WAN (backhaul) 4G module in the CGR 2010:

- [4G Module in CGR 2010 Use Case 1, page 7](#)
- [4G Module in CGR 2010 Use Case 2, page 8](#)
- [4G Module in CGR 2010 Use Case 3, page 8](#)
- [4G Module in CGR 2010 Use Case 4, page 9](#)
- [4G Module in CGR 2010 Use Case 5, page 9](#)
- [4G Module in CGR 2010 Use Case 6, page 10](#)

### 4G Module in CGR 2010 Use Case 1

**Table 1 Conduit to antenna**

Item	Description
Antenna Arrangement	<ul style="list-style-type: none"><li>■ 4G radio module, TNC(f), quantity 2</li><li>■ 20' cable through enclosure through conduit or boot</li><li>■ Omnidirectional stick or flat-panel antenna</li></ul>
Internal Cable	<p>RA-TNC(m) to N(m), LMR-400-FR, 20', quantity 2</p> <ul style="list-style-type: none"><li>■ 37-1378-01</li><li>■ CAB-L400-20-TNC-N</li></ul>
Adapter and/or Lightning Arrestor	None

Item	Description
External Cable	Single cable passes through conduit from inside to outside building.
Antenna	4G omnidirectional stick, standard performance, N(f), quantity 2 <ul style="list-style-type: none"> <li>■ 07-1171-01</li> <li>■ ANT-4G-OMNI-OUT-N</li> </ul> 4G flat-panel antenna, N(f), quantity 1 <ul style="list-style-type: none"> <li>■ 07-1172-01</li> <li>■ ANT-4G-PNL-OUT-N</li> </ul>

## 4G Module in CGR 2010 Use Case 2

**Table 2 Conduit to antenna**

Item	Description
Antenna Arrangement	<ul style="list-style-type: none"> <li>■ 4G radio module, TNC(f), quantity 2</li> <li>■ 50' cable through enclosure through conduit or boot</li> <li>■ Omnidirectional stick or flat-panel antenna</li> </ul>
Internal Cable	RA-TNC(m) to N(m), LMR-400-FR, 50', quantity 2 <ul style="list-style-type: none"> <li>■ 37-1379-01</li> <li>■ CAB-L400-50-TNC-N</li> </ul>
Adapter and/or Lightning Arrestor	None
External Cable	Single cable passes through conduit from inside to outside building.
Antenna	4G omnidirectional stick, standard performance, N(f), quantity 2 <ul style="list-style-type: none"> <li>■ 07-1171-01</li> <li>■ ANT-4G-OMNI-OUT-N</li> </ul> 4G flat-panel antenna, N(f), quantity 1 <ul style="list-style-type: none"> <li>■ 07-1172-01</li> <li>■ ANT-4G-PNL-OUT-N</li> </ul>

## 4G Module in CGR 2010 Use Case 3

**Table 3 Antenna on top of enclosure**

Item	Description
Antenna Arrangement	<ul style="list-style-type: none"> <li>■ 4G radio module, TNC(f), quantity 2</li> <li>■ Antenna with integrated 15' coaxial</li> </ul>
Internal Cable	Antenna mounted to top of metal cabinet, integrated cable runs to 4G module front panel.



Item	Description
Adapter and/or Lightning Arrestor	None
External Cable	None
Antenna	4G, low profile, integrated 15' LMR-195 cable with TNC(m), quantity 2 <ul style="list-style-type: none"> <li>■ 07-1165-01</li> <li>■ ANT-4G-SR-OUT-TNC</li> </ul>

## 4G Module in CGR 2010 Use Case 4

**Table 4 Indoor swivel-mount dipole with 15' extension cable**

Item	Description
Antenna Arrangement	<ul style="list-style-type: none"> <li>■ 4G radio module, TNC(f), quantity 2</li> <li>■ 15' coaxial cable with base</li> <li>■ Swivel-mount dipole</li> </ul>
Internal Cable	Single-port antenna stand with 15' cable included, TNC(m) to TNC(m), quantity 2 <ul style="list-style-type: none"> <li>■ 07-1054-01</li> <li>■ CAB-L195-15-TNC</li> </ul>
Adapter and/or Lightning Arrestor	None
External Cable	None
Antenna	4G indoor swivel-mount dipole, 0 dBi, MPN Laird DBA6927C-CS1 or Pulse W1945 <ul style="list-style-type: none"> <li>■ 07-1174-01 (was 07-1137-01)</li> <li>■ ANT-4G-DP-IN-TNC</li> </ul>

## 4G Module in CGR 2010 Use Case 5

**Table 5 Indoor ceiling mount antenna**

Item	Description
Antenna Arrangement	4G radio module, TNC(f), quantity 2
Internal Cable	None. No separate indoor cable, cable is part of antenna.
Adapter and/or Lightning Arrestor	None

Item	Description
External Cable	None. Antenna mounted indoor to ceiling, integrated cable runs to 4G module front panel.
Antenna	4G Indoor, volcano, integrated 15' LMR-195 cable with TNC(m), quantity 2 <ul style="list-style-type: none"> <li>■ Laird CMS69273-CS1</li> <li>■ 07-1173-01 (was 07-1121-01)</li> <li>■ ANT-4G-CM-IN-TNC</li> </ul>

## 4G Module in CGR 2010 Use Case 6

**Table 6 20' Indoor cable, lightning arrestor, outdoor cable, omnidirectional stick or flat-panel antenna**

Item	Description
Antenna Arrangement	4G radio module, TNC(f) - quantity 2
Internal Cable	RA-TNC(m) to N(m), LMR-400-FR, 20', quantity 2 <ul style="list-style-type: none"> <li>■ 07- 1158-01</li> <li>■ CAB-L400-20-TNC-N</li> </ul>
Adapter and/or Lightning Arrestor	N(f)-N(f) MPN H+S 3406, quantity 2 <ul style="list-style-type: none"> <li>■ 07-1158-01</li> <li>■ CGR-LA-NF-NF</li> </ul>
External Cable	RA-N(m) to N(m), LMR-400-DB, 20' <ul style="list-style-type: none"> <li>■ 37-1392-01</li> <li>■ CAB-L400-20-N-N</li> </ul>
Antenna	4G omnidirectional stick, standard performance, N(f), quantity 2 <ul style="list-style-type: none"> <li>■ 07-1171-01</li> <li>■ ANT-4G-OMNI-OUT-N</li> </ul> 4G panel antenna, N(f), quantity 1 <ul style="list-style-type: none"> <li>■ 07-1172-01</li> <li>■ ANT-4G-PNL-OUT-N</li> </ul>

## Antennas for Radio Modules in CGR 1120 (WAN)

The following lists the supported CR antennas for the 3G WAN (backhaul) module in the CGR 1120:

- [CG Antennas for 3G WAN Module in the CGR 1120 Use Case 1, page 11](#)
- [CG Antennas for 3G WAN Module in the CGR 1120 Use Case 2, page 12](#)
- [CG Antennas for 3G WAN Module in the CGR 1120 Use Case 3, page 12](#)
- [CG Antennas for 3G WAN Module in the CGR 1120 Use Case 4, page 13](#)

- CG Antennas for 3G WAN Module in the CGR 1120 Use Case 5, page 13
- CG Antennas for 3G WAN Module in the CGR 1120 Use Case 6, page 14
- CG Antennas for 3G WAN Module in the CGR 1120 Use Case 7, page 15
- CG Antennas for 3G WAN Module in the CGR 1120 Use Case 8, page 15
- CG Antennas for 3G WAN Module in the CGR 1120 Use Case 9, page 16
- CG Antennas for 3G WAN Module in the CGR 1120 Use Case 10, page 17

## CG Antennas for 3G WAN Module in the CGR 1120 Use Case 1

**Table 7 3G module, 10', 15', or 20' cable through conduit or building entry panel pass-through, stick omnidirectional or directional flat-panel antenna**

Item	Description
Antenna Arrangement	Stick omnidirectional or directional flat-panel antenna
Internal Cable	RA-QMA(m) to N(m), LMR-240-FR, 10', quantity 2 <ul style="list-style-type: none"> <li>■ 37-1351-02</li> <li>■ CAB-L240-10-Q-N</li> </ul> RA-QMA(m) to N(m), LMR-240-FR, 15', quantity 2 <ul style="list-style-type: none"> <li>■ 37-1352-02</li> <li>■ CAB-L240-15-Q-N</li> </ul> RA-QMA(m) to N(m), LMR-240-FR, 20' <ul style="list-style-type: none"> <li>■ 37-1353-02</li> <li>■ CAB-L240-20-Q-N</li> </ul>
Adapter and/or Lightning Arrestor	None
External Cable	Same cable as indoor cable. For example, single cable runs from inside to outside, through a conduit.
Antenna	4G omnidirectional stick, standard perf, N(f), quantity 2 <ul style="list-style-type: none"> <li>■ 07-1171-01</li> <li>■ ANT-4G-OMNI-OUT-N</li> </ul> 3G, 806-960 MHz, 1710 to 2170 MHz, flat-panel antenna, 10/11 dBi, MPN PCTEL FP8241805-10VP, qty 2 <ul style="list-style-type: none"> <li>■ 07-1162-01</li> <li>■ ANT-3G-PNL-OUT-N</li> </ul>

## CG Antennas for 3G WAN Module in the CGR 1120 Use Case 2

**Table 8 3G module, indoor cable, lightning arrester, outdoor cable, stick omnidirectional or directional flat-panel antenna**

Item	Description
Antenna Arrangement	Stick omnidirectional or directional flat-panel antenna
Internal Cable	RA-QMA(m) to N(m), LMR-240-FR, 10', quantity 2 <ul style="list-style-type: none"> <li>■ 37-1351-02</li> <li>■ CAB-L240-10-Q-N</li> </ul>
Adapter and/or Lightning Arrester	Lightning arrester, N(f)-N(f), quantity 2 <ul style="list-style-type: none"> <li>■ 07-1158-01</li> <li>■ CGR-LA-NF-NF</li> </ul>
External Cable	RA-N(m) to N(m), LMR-400-DB, 20', quantity 2 <ul style="list-style-type: none"> <li>■ 37-1392-01</li> <li>■ CAB-L400-20-N-N</li> </ul> RA-N(m)-N(m), LMR-600-DB, 30', quantity 2 <ul style="list-style-type: none"> <li>■ 37-1396-01</li> <li>■ CAB-L600-30-N-N</li> </ul>
Antenna	4G omnidirectional stick, standard perf, N(f), quantity 2 <ul style="list-style-type: none"> <li>■ 07-1171-01</li> <li>■ ANT-4G-OMNI-OUT-N</li> </ul> 3G, 806-960 MHz, 1710 to 2170 MHz, flat-panel antenna, 10/11 dBi, MPN <ul style="list-style-type: none"> <li>■ PCTEL FP8241805-10VP, qty 2</li> <li>■ 07-1162-01</li> <li>■ ANT-3G-PNL-OUT-N</li> </ul>

## CG Antennas for 3G WAN Module in the CGR 1120 Use Case 3

**Table 9 3G module, low-profile antenna with Integrated 15' coaxial cable, mounted to top of utility cabinet roof**

Item	Description
Antenna Arrangement	Low-profile antenna mounted on cabinet roof
Internal Cable	None
Adapter and/or Lightning Arrester	Connector adapter, QMA(m)-TNC(m), MPN H+S 33-QMA-TNC-50-1, quantity 2 <ul style="list-style-type: none"> <li>■ 29-7759-01</li> <li>■ ANT-ADPTR-Q-TNC</li> </ul>

Item	Description
External Cable	None
Antenna	4G low-profile, integrated 15' LMR-195 cable with TNC(m), quantity 2 <ul style="list-style-type: none"> <li>■ 07-1165-01</li> <li>■ ANT-4G-SR-OUT-TNC</li> <li>■</li> </ul>

## CG Antennas for 3G WAN Module in the CGR 1120 Use Case 4

**Table 10 GPS antenna with integrated 15' coaxial cable, mounted to top of utility cabinet roof**

Item	Description
Antenna Arrangement	GPS antenna mounted to top of utility cabinet roof
Internal Cable	None
Adapter and/or Lightning Arrestor	Connector adapter, QMA(m)-TNC (f), MPN H+S 33-QMA-TNC-50-1, quantity 1 <ul style="list-style-type: none"> <li>■ 29-7759-01</li> <li>■ ANT-ADPTR-Q-TNC</li> </ul>
External Cable	None
Antenna	GPS antenna, integrated 15' LMR-100 cable with RA-TNC(m), quantity 1 <ul style="list-style-type: none"> <li>■ 07-1155-01</li> <li>■ ANT-GPS-OUT-TNC</li> </ul>

## CG Antennas for 3G WAN Module in the CGR 1120 Use Case 5

**Table 11 WiFi antenna, swivel-mount, mounted directly to CGR 1120 front panel connector**

Item	Description
Antenna Arrangement	WiFi antenna, swivel-mount, mounted directly to CGR 1120 front panel connector
Internal Cable	None
Adapter and/or Lightning Arrestor	Connector adapter, QMA(m)-TNC (f), MPN H+S 33-QMA-TNC-50-1, quantity 1 <ul style="list-style-type: none"> <li>■ 29-7759-01</li> <li>■ 29-7759-01</li> <li>■ ANT-ADPTR-Q-TNC</li> </ul>

Item	Description
External Cable	None
Antenna	4G indoor swivel-mount dipole, 0 dBi <ul style="list-style-type: none"> <li>■ Laird DBA6927C-CS1 or Pulse W1945</li> <li>■ 07-1174-01 (was 07-1137-01)</li> <li>■ ANT-4G-DP-IN-TNC</li> </ul>

## CG Antennas for 3G WAN Module in the CGR 1120 Use Case 6

**Table 12 RF 900 module, indoor cable, lightning arrestor, outdoor cable, omnidirectional stick antenna**

Item	Description
Antenna Arrangement	RF 900 module, indoor cable, lightning arrestor, outdoor cable, omnidirectional stick antenna
Internal Cable	RA-QMA(m) to N(m), LMR-240-FR, 10', quantity 1 <ul style="list-style-type: none"> <li>■ 37-1351-02</li> <li>■ CAB-L240-10-Q-N</li> </ul>
Adapter and/or Lightning Arrestor	Lightning arrestor, N(f)-N(f), quantity 1 <ul style="list-style-type: none"> <li>■ 07-1158-01</li> <li>■ CGR-LA-NF-NF</li> </ul>
External Cable	RA-N(m) to N(m), LMR-400-DB, 20', quantity 1 <ul style="list-style-type: none"> <li>■ 37-1392-01</li> <li>■ CAB-L400-20-N-N</li> </ul> RA-N(m)-N(m), LMR-600-DB, 30', quantity 1 <ul style="list-style-type: none"> <li>■ 37-1396-01</li> <li>■ CAB-L600-30-N-N</li> </ul>
Antenna	900 MHz ISM band, omnidirectional stick, 5 dBi gain, N(f), quantity 1 <ul style="list-style-type: none"> <li>■ 07-1163-01</li> <li>■ ANT-WPAN-OM-OUT-N</li> </ul>

## CG Antennas for 3G WAN Module in the CGR 1120 Use Case 7

**Table 13 WiMAX module, 2.3 to 2.4 GHz WiMAX, indoor cable, lightning arrestor, outdoor cable, directional flat-panel antenna**

Item	Description
Antenna Arrangement	WiMAX module, directional flat-panel antenna
Internal Cable	RA-QMA(m) to N(m), LMR-240-FR, 10', quantity 1 <ul style="list-style-type: none"> <li>■ 37-1351-02</li> <li>■ CAB-L240-10-Q-N</li> </ul>
Adapter and/or Lightning Arrestor	Lightning arrestor, N(f)-N(f), quantity 2 <ul style="list-style-type: none"> <li>■ 07-1158-01</li> <li>■ CGR-LA-NF-NF</li> </ul>
External Cable	RA-N(m) to N(m), LMR-400-DB, 20', quantity 2 <ul style="list-style-type: none"> <li>■ 37-1392-01</li> <li>■ CAB-L400-20-N-N</li> </ul> RA-N(m)-N(m), LMR-600-DB, 30', quantity 2 <ul style="list-style-type: none"> <li>■ 37-1396-01</li> <li>■ CAB-L600-30-N-N</li> </ul>
Antenna	Flat-panel antenna, 2.3 to 2.7 GHz, 17 dBi, N(f), dual-slant, quantity 1 <ul style="list-style-type: none"> <li>■ 07-1160-01</li> <li>■ ANT-2.X-PNL-OUT-N</li> </ul>

## CG Antennas for 3G WAN Module in the CGR 1120 Use Case 8

**Table 14 WiMAX module, 2.5 to 2.7 GHz WiMAX, indoor cable, lightning arrestor, outdoor cable, directional flat-panel antenna**

Item	Description
Antenna Arrangement	WiMAX module, directional flat-panel antenna
Internal Cable	RA-QMA(m) to N(m), LMR-240-FR, 10', quantity 1 <ul style="list-style-type: none"> <li>■ 37-1351-02</li> <li>■ CAB-L240-10-Q-N</li> </ul>
Adapter and/or Lightning Arrestor	Lightning arrestor, N(f)-N(f), quantity 2 <ul style="list-style-type: none"> <li>■ 07-1158-01</li> <li>■ CGR-LA-NF-NF</li> </ul>

Item	Description
External Cable	RA-N(m) to N(m), LMR-400-DB, 20', quantity 2 <ul style="list-style-type: none"> <li>■ 37-1392-01</li> <li>■ CAB-L400-20-N-N</li> </ul> RA-N(m)-N(m), LMR-600-DB, 30', quantity 2 <ul style="list-style-type: none"> <li>■ 37-1396-01</li> <li>■ CAB-L600-30-N-N</li> </ul>
Antenna	Flat-panel antenna, 2.3 to 2.7 GHz, 17 dBi, N(f), dual-slant, quantity 1 <ul style="list-style-type: none"> <li>■ 07-1160-01</li> <li>■ ANT-2.X-PNL-OUT-N</li> </ul>

## CG Antennas for 3G WAN Module in the CGR 1120 Use Case 9

**Table 15 WiMAX module, 3.3 to 3.6 GHz WiMAX, indoor cable, lightning arrester, outdoor cable, directional flat-panel antenna**

Item	Description
Antenna Arrangement	WiMAX module, directional flat-panel antenna
Internal Cable	RA-QMA(m) to N(m), LMR-240-FR, 10', quantity 1 <ul style="list-style-type: none"> <li>■ 37-1351-02</li> <li>■ CAB-L240-10-Q-N</li> </ul>
Adapter and/or Lightning Arrester	Lightning arrester, N(f)-N(f), quantity 2 <ul style="list-style-type: none"> <li>■ 07-1158-01</li> <li>■ CGR-LA-NF-NF</li> </ul>
External Cable	RA-N(m) to N(m), LMR-400-DB, 20', quantity 2 <ul style="list-style-type: none"> <li>■ 37-1392-01</li> <li>■ CAB-L400-20-N-N</li> </ul> RA-N(m)-N(m), LMR-600-DB, 30', quantity 2 <ul style="list-style-type: none"> <li>■ 37-1396-01</li> <li>■ CAB-L600-30-N-N</li> </ul>
Antenna	Flat-panel antenna, 3.3 to 3.8 GHz, 18.5 dBi, N(f), dual-slant, quantity 1 <ul style="list-style-type: none"> <li>■ 07-1161-01</li> <li>■ ANT-3.X-PNL-OUT-N</li> </ul>



## CG Antennas for 3G WAN Module in the CGR 1120 Use Case 10

**Table 16 WiMAX module, 3.5 to 3.8 GHz WiMAX, indoor cable, lightning arrestor, outdoor cable, directional flat-panel antenna**

Item	Description
Antenna Arrangement	WiMAX module, directional flat-panel antenna
Internal Cable	RA-QMA(m) to N(m), LMR-240-FR, 10', quantity 1 <ul style="list-style-type: none"> <li>■ 37-1351-02</li> <li>■ CAB-L240-10-Q-N</li> </ul>
Adapter and/or Lightning Arrestor	Lightning arrestor, N(f)-N(f), quantity 2 <ul style="list-style-type: none"> <li>■ 07-1158-01</li> <li>■ CGR-LA-NF-NF</li> </ul>
External Cable	RA-N(m) to N(m), LMR-400-DB, 20', quantity 2 <ul style="list-style-type: none"> <li>■ 37-1392-01</li> <li>■ CAB-L400-20-N-N</li> </ul> RA-N(m)-N(m), LMR-600-DB, 30', quantity 2 <ul style="list-style-type: none"> <li>■ 37-1396-01</li> <li>– CAB-L600-30-N-N</li> </ul>
Antenna	Flat-panel antenna, 3.3 to 3.8 GHz, 18.5 dBi, N(f), dual-slant, quantity 1 <ul style="list-style-type: none"> <li>■ 07-1161-01</li> <li>■ ANT-3.X-PNL-OUT-N</li> </ul>

## Antennas for Radio Modules in CGR 1240 (WAN and WPAN)

The following lists the supported CR antennas for the 3G WAN (backhaul) and WPAN modules in the CGR 1240:

- [CG Antennas for 3G Backhaul Module in CGR 1240 Use Case 1, page 18](#)
- [CG Antennas for 3G Backhaul Module in CGR 1240 Use Case 2, page 18](#)
- [CG Antennas for 3G Backhaul Module in CGR 1240 Use Case 3, page 19](#)
- [CG Antennas for 3G Backhaul Module in CGR 1240 Use Case 4, page 19](#)
- [CG Antennas for 3G Backhaul Module in CGR 1240 Use Case 5, page 20](#)
- [CG Antennas for 3G Backhaul Module in CGR 1240 Use Case 6, page 21](#)
- [CG Antennas for 3G Backhaul Module in CGR 1240 Use Case 7, page 22](#)
- [CG Antennas for 3G Backhaul Module in CGR 1240 Use Case 8, page 22](#)

- CG Antennas for 3G WAN Module in the CGR 1120 Use Case 9, page 16
- CG Antennas for 3G Backhaul Module in CGR 1240 Use Case 10, page 24
- CG Antennas for 3G Backhaul Module in CGR 1240 Use Case 11, page 24
- CG Antennas for 3G Backhaul Module in CGR 1240 Use Case 12, page 25
- CG Antennas for 3G Backhaul Module in CGR 1240 Use Case 13, page 26

## CG Antennas for 3G Backhaul Module in CGR 1240 Use Case 1

**Table 17 Integrated antenna, 3G module**

Item	Description
Antenna Arrangement	Integrated antenna, 3G module
Internal Cable	RA-QMA(m) to RA-MCX (m), LMR-100, 10.5" , quantity 2 <ul style="list-style-type: none"> <li>■ 37-1391-01</li> <li>■ CAB-L100-10-Q-M</li> </ul>
Adapter and/or Lightning Arrestor	None
External Cable	None
Antenna	900 MHz, 3G, 806 to 960 MHz, 1710 to 2700 MHz, monopole antenna, chassis mounted, omnidirectional, quantity 2 <ul style="list-style-type: none"> <li>■ 07-1140-02</li> <li>■ ANT-MP-INT-OUT-M</li> </ul>

## CG Antennas for 3G Backhaul Module in CGR 1240 Use Case 2

**Table 18 External antenna, 3G module**

Item	Description
Antenna Arrangement	External antenna, 3G module
Internal Cable	RA-QMA(m) to RA-MCX (m), LMR-100, 10.5" , quantity 2 <ul style="list-style-type: none"> <li>■ 37-1391-01</li> <li>■ CAB-L100-10-Q-M</li> </ul>
Adapter and/or Lightning Arrestor	Bulkhead adapter, MCX(f) receptacle, N(f), quantity 2 AND Lightning arrestor, DC Pass, N(m)-N(f), quantity 2 <ul style="list-style-type: none"> <li>■ CGR-LA-NM-NF</li> </ul>

Item	Description
External Cable	RA-N(m)-N(m), LMR-400-DB, 20', quantity 2 <ul style="list-style-type: none"> <li>■ CAB-L400-20-N-N</li> </ul> RA-N(m)-N(m), LMR-600-DB, 30', quantity 2 <ul style="list-style-type: none"> <li>■ CAB-L600-30-N-N</li> </ul>
Antenna	4G omnidirectional stick, standard performance, N(f), quantity 2 <ul style="list-style-type: none"> <li>■ ANT-4G-OMNI-OUT-N</li> </ul> 3G, 806-960 MHz, 1710 to 2170 MHz, Flat-panel antenna, quantity 2 <ul style="list-style-type: none"> <li>■ ANT-3G-PNL-OUT-N</li> </ul>

## CG Antennas for 3G Backhaul Module in CGR 1240 Use Case 3

**Table 19 Integrated antenna, RF900 WPAN module**

Item	Description
Antenna Arrangement	Integrated antenna, RF900 WPAN module
Internal Cable	RA-QMA(m) to RA-MCX (m), LMR-100, 17.5" , quantity 1 <ul style="list-style-type: none"> <li>■ 37-1380-01</li> <li>■ CAB-L100-10-Q-M</li> </ul>
Adapter and/or Lightning Arrestor	None
External Cable	None
Antenna	900 MHz, 3G, 806 to 960 MHz, 1710 to 2700 MHz, monopole antenna, chassis mounted, omnidirectional, quantity 1 <ul style="list-style-type: none"> <li>■ 07-1140-02</li> <li>■ ANT-MP-INT-OUT-M</li> </ul>

## CG Antennas for 3G Backhaul Module in CGR 1240 Use Case 4

**Table 20 External antenna, RF900 WPAN module**

Item	Description
Antenna Arrangement	External antenna, RF900 WPAN module
Internal Cable	RA-QMA(m) to RA-MCX (m), LMR-100, 17.5" , quantity 1 <ul style="list-style-type: none"> <li>■ 37-1380-01</li> <li>■ CAB-L100-17-Q-M</li> </ul>

Item	Description
Adapter and/or Lightning Arrestor	<p>Bulkhead adapter, MCX(f) receptacle, N(f), quantity 2</p> <ul style="list-style-type: none"> <li>■ 29-5950-01</li> </ul> <p>AND</p> <p>Lightning arrestor, DC Pass, N(m)-N(f), quantity 2</p> <ul style="list-style-type: none"> <li>■ 07-1091-01</li> <li>■ CGR-LA-NM-NF</li> </ul>
External Cable	<p>RA-N(m)-N(m), LMR-400-DB, 20', quantity 2</p> <ul style="list-style-type: none"> <li>■ 37-yyyy-01</li> <li>■ CAB-L400-20-N-N</li> </ul> <p>RA-N(m)-N(m), LMR-600-DB, 30', quantity 2</p> <ul style="list-style-type: none"> <li>■ 37-1396-01</li> <li>■ CAB-L600-30-N-N</li> </ul>
Antenna	<p>900 MHz ISM Band, omnidirectional stick, N(f), quantity 1</p> <ul style="list-style-type: none"> <li>■ 07-1163-02</li> <li>■ ANT-WPAN-OM-OUT-N</li> </ul>

## CG Antennas for 3G Backhaul Module in CGR 1240 Use Case 5

**Table 21 Integrated antenna, WiMAX module, 2.3 GHz WiMAX**

Item	Description
Antenna Arrangement	Integrated antenna, WiMAX module, 2.3 GHz WiMAX
Internal Cable	<p>RA-QMA(m) to RA-MCX (m), LMR-100, 17.5", quantity 1</p> <ul style="list-style-type: none"> <li>■ 37-1380-01</li> <li>■ CAB-L100-17-Q-M</li> </ul>
Adapter and/or Lightning Arrestor	None
External Cable	None
Antenna	<p>900 MHz, 3G, 806 to 960 MHz, 1710 to 2700 MHz, monopole antenna, chassis mounted, omnidirectional, quantity 2</p> <ul style="list-style-type: none"> <li>■ 07-1140-02</li> <li>■ ANT-MP-INT-OUT-M</li> </ul>

## CG Antennas for 3G Backhaul Module in CGR 1240 Use Case 6

**Table 22 External antenna, WiMAX module, 2.3 GHz WiMAX**

Item	Description
Antenna Arrangement	External antenna, WiMAX module, 2.3 GHz WiMAX
Internal Cable	RA-QMA(m) to RA-MCX (m), LMR-100, 17.5", quantity 1 <ul style="list-style-type: none"> <li>■ 37-1380-01</li> <li>■ CAB-L100-17-Q-M</li> </ul>
Adapter and/or Lightning Arrestor	Bulkhead adapter, MCX(f) receptacle, N(f), quantity 2 <ul style="list-style-type: none"> <li>■ 29-5950-01</li> </ul> AND Lightning arrestor, DC Pass, N(m)-N(f), quantity 2 <ul style="list-style-type: none"> <li>■ 07-1091-01</li> <li>■ CGR-LA-NM-NF</li> </ul>
External Cable	RA-N(m)-N(m), LMR-400-DB, 20', quantity 2 <ul style="list-style-type: none"> <li>■ 37-yyyy-01</li> <li>■ CAB-L400-20-N-N</li> </ul> RA-N(m)-N(m), LMR-600-DB, 30', quantity 2 <ul style="list-style-type: none"> <li>■ 37-1396-01</li> <li>■ CAB-L600-30-N-N</li> </ul>
Antenna	Flat-panel antenna, 2300 to 2700 MHz, 17 dBi, N(f), dual-slant, quantity 1 <ul style="list-style-type: none"> <li>■ 07-1160-01</li> <li>■ ANT-2.X-PNL-OUT-N</li> </ul> Flat-panel antenna, 2300 to 2700 MHz, 17 dBi, N(f), dual-slant, quantity 1 <ul style="list-style-type: none"> <li>■ 07-1160-01</li> <li>■ ANT-2.X-PNL-OUT-N</li> </ul> 2.3 GHz cavity-notch filter, N(f), dual-slant, quantity 2 <ul style="list-style-type: none"> <li>■ 74-10586-01</li> </ul> coaxial cable, LMR-400-DB, quantity 2 <ul style="list-style-type: none"> <li>■ 37-0907-01</li> <li>■ AIR-CAB005LL-N</li> </ul>

## CG Antennas for 3G Backhaul Module in CGR 1240 Use Case 7

**Table 23 Integrated antenna, WiMAX module, 2.5 GHz WiMAX**

Item	Description
Antenna Arrangement	Integrated antenna, WiMAX module, 2.5 GHz WiMAX
Internal Cable	RA-QMA(m) to RA-MCX (m), LMR-100, 17.5", quantity 1 <ul style="list-style-type: none"> <li>■ 37-1380-01</li> <li>■ CAB-L100-17-Q-M</li> </ul>
Adapter and/or Lightning Arrestor	None
External Cable	None
Antenna	900 MHz, 3G, 806 to 960 MHz, 1710 to 2700 MHz, monopole antenna, chassis mounted, omnidirectional, quantity 2 <ul style="list-style-type: none"> <li>■ 07-1140-02</li> <li>■ ANT-MP-INT-OUT-M</li> </ul>

## CG Antennas for 3G Backhaul Module in CGR 1240 Use Case 8

**Table 24 External antenna, WiMAX module, 2.5 GHz WiMAX**

Item	Description
Antenna Arrangement	External antenna, WiMAX module, 2.5 GHz WiMAX
Internal Cable	RA-QMA(m) to RA-MCX (m), LMR-100, 17.5", quantity 1 <ul style="list-style-type: none"> <li>■ 37-1380-01</li> <li>■ CAB-L100-17-Q-M</li> </ul>
Adapter and/or Lightning Arrestor	Bulkhead adapter, MCX(f) receptacle, N(f), quantity 2 <ul style="list-style-type: none"> <li>■ 29-5950-01</li> </ul> AND Lightning arrestor, DC Pass, N(m)-N(f), quantity 2 <ul style="list-style-type: none"> <li>■ 07-1091-01</li> <li>■ CGR-LA-NM-NF</li> </ul>

Item	Description
External Cable	RA-N(m)-N(m), LMR-400-DB, 20', quantity 2 <ul style="list-style-type: none"> <li>■ 37-1392-01</li> <li>■ CAB-L400-20-N-N</li> </ul> RA-N(m)-N(m), LMR-600-DB, 30', quantity 2 <ul style="list-style-type: none"> <li>■ 37-1396-01</li> <li>■ CAB-L600-30-N-N</li> </ul>
Antenna	Flat-panel antenna, 2300 to 2700 MHz, 17 dBi, N(f), dual-slant, quantity 1 <ul style="list-style-type: none"> <li>■ 07-1160-01</li> <li>■ ANT-2.X-PNL-OUT-N</li> </ul>

## CG Antennas for 3G Backhaul Module in CGR 1240 Use Case 9

**Table 25 External antenna, WiMAX module, 1.8 GHz WiMAX**

Item	Description
Antenna Arrangement	External antenna, WiMAX module, 1.8 GHz WiMAX
Internal Cable	RA-QMA(m) to RA-MCX (m), LMR-100, 17.5", quantity 2 <ul style="list-style-type: none"> <li>■ 37-1380-01</li> <li>■ CAB-L100-17-Q-M</li> </ul>
Adapter and/or Lightning Arrestor	Bulkhead adapter, MCX(f) receptacle, N(f), quantity 2 <ul style="list-style-type: none"> <li>■ 29-5950-01</li> </ul> AND Lightning arrestor, DC Pass, N(m)-N(f), quantity 2 <ul style="list-style-type: none"> <li>■ 07-1091-01</li> <li>■ CGR-LA-NM-NF</li> </ul>

Item	Description
External Cable	RA-N(m)-N(m), LMR-400-DB, 20', quantity 2 <ul style="list-style-type: none"> <li>■ 37-yyyy-01</li> <li>■ CAB-L400-20-N-N</li> </ul> RA-N(m)-N(m), LMR-600-DB, 30', quantity 2 <ul style="list-style-type: none"> <li>■ 37-yyyy-01</li> <li>■ CAB-L600-30-N-N</li> </ul>
Antenna	Flat-panel antenna, 1800 to 1830 MHz, 15 dBi, N(f), dual-slant, quantity 1 <ul style="list-style-type: none"> <li>■ 07-1159-01</li> <li>■ ANT-1.8-PNL-OUT-N</li> </ul>

## CG Antennas for 3G Backhaul Module in CGR 1240 Use Case 10

**Table 26 Integrated antenna, WiMAX module, 3.3 to 3.6 GHz WiMAX**

Item	Description
Antenna Arrangement	Integrated antenna, WiMAX module, 3.3 to 3.6 GHz WiMAX
Internal Cable	RA-QMA(m) to RA-MCX (m), LMR-100, 17.5" , quantity 2 <ul style="list-style-type: none"> <li>■ 37-1380-01</li> <li>■ CAB-L100-17-Q-M</li> </ul>
Adapter and/or Lightning Arrestor	None
External Cable	None
Antenna	3.6 GHz WiMAX, 3.3 to 3.8 GHz, monopole antenna, chassis mounted, omnidirectional, quantity 2 <ul style="list-style-type: none"> <li>■ 07-1142-02</li> <li>■ ANT-WM-INT-OUT-M</li> </ul>

## CG Antennas for 3G Backhaul Module in CGR 1240 Use Case 11

**Table 27 External antenna, WiMAX module, 3.3 to 3.6 GHz WiMAX**

Item	Description
Antenna Arrangement	External antenna, WiMAX module, 3.3 to 3.6 GHz WiMAX
Internal Cable	RA-QMA(m) to RA-MCX (m), LMR-100, 17.5" , quantity 2 <ul style="list-style-type: none"> <li>■ 37-1380-01</li> <li>■ CAB-L100-17-Q-M</li> </ul>



Item	Description
Adapter and/or Lightning Arrestor	<p>Bulkhead adapter, MCX(f) receptacle, N(f), quantity 2</p> <ul style="list-style-type: none"> <li>■ 29-5950-01</li> </ul> <p>AND</p> <p>Lightning arrestor, DC pass, N(m)-N(f), quantity 2</p> <ul style="list-style-type: none"> <li>■ 07-1091-01</li> <li>■ CGR-LA-NM-NF</li> </ul>
External Cable	<p>RA-N(m)-N(m), LMR-400-DB, 20', quantity 2</p> <ul style="list-style-type: none"> <li>■ 37-1392-01</li> <li>■ CAB-L400-20-N-N</li> </ul> <p>RA-N(m)-N(m), LMR-600-DB, 30', quantity 2</p> <ul style="list-style-type: none"> <li>■ 37-1396-01</li> <li>■ CAB-L600-30-N-N</li> </ul>
Antenna	<p>Flat-panel antenna, 3300 to 3800 MHz, 18.5 dBi, N(f), dual-slant, quantity 1</p> <ul style="list-style-type: none"> <li>■ 07-1161-01</li> <li>■ ANT-3.X-PNL-OUT-N</li> </ul>

## CG Antennas for 3G Backhaul Module in CGR 1240 Use Case 12

**Table 28 Integrated antenna, WiMAX module, 3.5 to 3.8 GHz WiMAX**

Item	Description
Antenna Arrangement	Integrated antenna, WiMAX module, 3.5 to 3.8 GHz WiMAX
Internal Cable	<p>RA-QMA(m) to RA-MCX (m), LMR-100, 17.5", quantity 2</p> <ul style="list-style-type: none"> <li>■ 37-1380-01</li> <li>■ CAB-L100-17-Q-M</li> </ul>
Adapter and/or Lightning Arrestor	None
External Cable	None
Antenna	<p>3.6 GHz WiMAX, 3.3 to 3.8 GHz, monopole antenna, chassis mounted, omnidirectional, quantity 2</p> <ul style="list-style-type: none"> <li>■ 07-1142-02</li> <li>■ ANT-WM-INT-OUT-M</li> </ul>

## CG Antennas for 3G Backhaul Module in CGR 1240 Use Case 13

**Table 29 External antenna, WiMAX module, 3.5 to 3.8 GHz WiMAX**

Item	Description
Antenna Arrangement	External antenna, WiMAX module, 3.5 to 3.8 GHz WiMAX
Internal Cable	RA-QMA(m) to RA-MCX (m), LMR-100, 17.5" , quantity 2 <ul style="list-style-type: none"> <li>■ 37-1380-01</li> <li>■ CAB-L100-17-Q-M</li> </ul>
Adapter and/or Lightning Arrestor	Bulkhead adapter, MCX(f) receptacle, N(f), quantity 2 <ul style="list-style-type: none"> <li>■ 29-5950-01</li> </ul> AND Lightning arrestor, DC pass, N(m)-N(f), quantity 2 <ul style="list-style-type: none"> <li>■ 07-1091-01</li> <li>■ CGR-LA-NM-NF</li> </ul>
External Cable	RA-N(m)-N(m), LMR-400-DB, 20', quantity 2 <ul style="list-style-type: none"> <li>■ 37-yyyy-01</li> <li>■ CAB-L400-20-N-N</li> </ul> RA-N(m)-N(m), LMR-600-DB, 30', quantity 2 <ul style="list-style-type: none"> <li>■ 37-1396-01</li> <li>■ CAB-L600-30-N-N</li> </ul>
Antenna	Flat-panel antenna, 3300 to 3800 MHz, 18.5 dBi, N(f), dual-slant, quantity 1 <ul style="list-style-type: none"> <li>■ 07-1161-01</li> <li>■ ANT-3.X-PNL-OUT-N</li> </ul>



# Installation

This section provides installation instructions for wireless antennas supported on Cisco 1000 and 2000 Series Connected Grid (CGR) routers. This section contains the following:

- [Safety Precautions, page 27](#)
- [Installation Requirements, page 28](#)
- [General Installation Instructions for Mounting Antennas, page 30](#)
- [When to Install or Replace Antennas, page 31](#)
- [Antenna Ports, page 31](#)
- [Connecting the Antenna to the CGR 1120, page 34](#)
- [Connect the Antenna-to-Module Cable in the CGR 1240, page 35](#)
- [Antenna and CG Module Color Codes, page 36](#)
- [Cisco Lightning Arrestors, page 37](#)
- [Obtaining Technical Assistance, page 39](#)
- [Additional Information, page 40](#)

## Safety Precautions

**Warning:** Do not locate the outdoor antenna near overhead power lines or other electric light or power circuits, or where it can come into contact with such circuits. When installing the antenna, take extreme care not to come into contact with such circuits, as they may cause serious injury or death. For proper installation and grounding of the antenna, please refer to national and local codes (for example, U.S.:NFPA 70, National Electrical Code, Article 810, Canada:Canadian Electrical Code, Section 54). Statement 1052

Each year hundreds of people are killed or injured when attempting to install an antenna. In many of these cases, the victim was aware of the danger of electrocution, but did not take adequate steps to avoid the hazard.

For your safety, and to help you achieve a good installation, please read and follow these safety precautions. **They may save your life!**

For your safety, read and follow these safety precautions.

- If you are installing an antenna for the first time, for your own safety as well as others, seek professional assistance. Your Cisco sales representative can explain which mounting method to use for the size and type antenna you are about to install.
- Before you install an antenna, contact your Cisco account representative to explain which mounting method to use for the size and type of antenna that you are about to install.
- Find someone to help you—installing an antenna is often a two-person job.

- 
- Select your installation site with safety, as well as performance, in mind. Remember that electric power lines and phone lines look alike. For your safety, assume that any overhead line can kill you.
  - Contact your electric power company. Tell them your plans and ask them to come look at your proposed installation.
  - Plan your installation carefully and completely before you begin. Each person involved in an installation should be assigned to a specific task, and should know what to do and when to do it. One person should be in charge of the operation to issue instructions and watch for signs of trouble.
  - When installing your antenna, follow these guidelines:
    - Do not use a metal ladder.
    - Do not work on a wet or windy day.
    - Do dress properly—wear shoes with rubber soles and heels, rubber gloves, and a long-sleeved shirt or jacket.
  - If the assembly starts to drop, move away from it and let it fall. Because the antenna, mast, cable, and metal guy wires are all excellent conductors of electrical current, even the slightest touch of any of these parts to a power line completes an electrical path through the antenna and the installer.
  - If any part of the antenna system should come in contact with a power line, do not touch it or try to remove it yourself. Call your local power company to have it removed safely.
  - If an accident should occur with the power lines, call for qualified emergency help immediately.

## Installation Requirements

This section contains the following:

- [Installation Location, page 28](#)
- [Antenna Connections, page 29](#)
- [Optimum Performance, page 29](#)

## Installation Location

**Warning:** Do not locate the outdoor antenna near overhead power lines or other electric light or power circuits, or where it can come into contact with such circuits. When installing the antenna, take extreme care not to come into contact with such circuits, as they may cause serious injury or death. For proper installation and grounding of the antenna, please refer to national and local codes (for example, U.S.:NFPA 70, National Electrical Code, Article 810, Canada:Canadian Electrical Code, Section 54). Statement 1052

The location of the antenna is important. Objects such as metal columns, walls, and so on, reduce efficiency. Best performance is achieved when antennas are mounted at the same height and in a direct line of sight with no obstructions. If this is not possible and reception is poor, you should try different mounting positions to optimize reception.

The antenna is designed to create an omnidirectional broadcast pattern. To achieve this pattern, the antenna should be mounted clear of any obstructions to the sides of the radiating element. If the mounting location is on the side of a building or on a tower, the antenna pattern is degraded on the building or tower side.

Antenna installation and replacement should only be performed at one of the following, certified location types:

- Utility maintenance and repair depot
- Cisco DF facility

- 
- Customer premises field depot

Before installing your antenna, determine the optimum location for safety and performance. Follow these steps to determine a safe distance from wires, power lines, and trees:

1. Measure the height of your antenna.
2. Add this length to the length of your tower or mast, then double this total for the minimum safe clearance distance from wires, power lines, and trees.

**Caution:** If you are unable to maintain this safe distance, stop and get professional technical assistance for a mounting alternative.

## Antenna Connections

Before you install or replace antennas, make sure the router is:

- Powered off
- Disconnected from all power sources
- Disconnected from the Field Area Network (FAN)
- Removed from a pole-top installation

**Note:** Caps on the N-connectors are installed on the CGR 1240 antenna ports to protect them from the environment. They must only be removed to install the integrated antenna or the antenna RF cable.

## Optimum Performance

The higher your antenna is above the ground, the better it performs, generally. It is good practice is to install your antenna about 5 to 10 ft (1.5 to 3 m) above the roof line and away from all power lines and obstructions. If possible, find a mounting place directly above your wireless device so that the lead-in cable can be as direct as possible.

Antennas transmit and receive radio signals which are susceptible to RF obstructions and common sources of interference that can reduce throughput and range of the device to which they are connected. Follow these guidelines to ensure the best possible performance:

- Install the antenna vertically and mount it with the cables pointing towards the ground.
- Keep the antenna away from metal obstructions such as heating and air-conditioning ducts, large ceiling trusses, building superstructures, and major power cabling runs. If necessary, use a rigid conduit to lower the antenna away from these obstructions.
- The density of the materials used in surrounding buildings' construction impacts antenna signal strength. Consider the following
  - Signals penetrate paper and vinyl walls with little change to signal strength.
  - Signals penetrate only one or two solid and pre-cast concrete walls without degrading signal strength.
  - Signals penetrate three or four concrete and wood block walls without degrading signal strength.
  - Signals penetrate five or six walls constructed of drywall or wood without degrading signal strength.
  - Signals are likely to reflect off a thick metal wall and not penetrate it at all.
  - Signals are likely to reflect off a chain link fence or a wire mesh with spaces of 1 to 1-1/2 in (2.5 to 3.8 cm).

- 
- Microwave ovens and 2-GHz cordless phones can cause signal interference because they operate in the same frequency range as the WiFi radio to which one of the antennas is connected.
  - For instructions on installing or replacing a Cisco Connected Grid module, see the corresponding installation and configuration guide for each module.
  - For detailed instructions on opening the door, see the installation guide of your router. Before installing the antenna according to the installation procedures in the following chapters, you must complete these steps:
    - Open the router chassis door.
    - Remove any plug or connector that is installed in the antenna port.
    - Verify the correct antenna port for installation, based on the antenna model you are installing.
  - See the installation document for your router regarding the correct antenna port location. Antennas must be installed in the correct antenna port for ease of installation and optimal performance.

**Note:** Ensure that you are able to access the antenna port from inside the router. If an installed module prevents you from reaching the antenna port, you might have to remove the module before installing the antenna, then reinstall the module. See the corresponding module installation and configuration guide for each module.

## General Installation Instructions for Mounting Antennas

**Caution:** For outside installations, make sure you do not mount the antenna upside down or block the bottom of the antenna at the cable exit. The correct mounting position is with the cable pointing down (towards the ground) so that any moisture will drain through the antenna drain holes. The antenna ships with a yellow mounting instruction label temporarily attached to the antenna radome.

The following instructions are common to most mast mounted installations.

1. Assemble your new antenna on the ground or a level surface at the installation site.
2. Connect its coaxial cable while you are on the ground and attach the antenna to the mast.
3. Ensure that the mast does not fall as you raise or remove it. Use a durable non-conductive rope secured at each two foot level as the mast is raised. Have an assistant tend the rope, ready to pull the mast clear of any hazards (such as power lines) should it begin to fall.
4. Use the mounting bracket provided with the antenna.
5. If the installation will use guy wires:
  - a. Install guy anchor bolts.
  - b. Estimate the length of guy wire and cut it before raising the mast.
  - c. Attach guy wires to a mast using guy rings.
6. Carefully connect the antenna and mast assembly to its mounting bracket and tighten the clamp bolts.

In the case of a guyed (tall, thin mast) installation, you must have at least one assistant to hold the mast upright while the guy wires are attached and tightened to the anchor bolts.
7. Attach a “DANGER” label at eye level on the mast.
8. Install ground rods to remove any static electricity buildup and connect a ground wire to the mast and ground rod. Use ground rods designed for that purpose, not a spare piece of pipe.

---

## When to Install or Replace Antennas

Depending on the router configuration, it could arrive in the shipping container with all required antennas already installed and connected to the corresponding Cisco Connected Grid modules (CG) that inside the router.

However, you might need to install an antenna on the router when:

- You purchase a CG Module separately from the router. The antenna is included in the module kit, and must be installed on the router to complete the module installation procedure.
- You purchase an antenna separately to replace a faulty or damaged antenna.

## Antenna Ports

This section describes the antenna ports, their locations on the router, and the recommended antenna installation locations. This section includes the following topics:

- [Antenna Port Numbering, page 31](#)
- [Unused Antenna Ports-N Connectors, page 33](#)

## Antenna Port Numbering

This section illustrates the antenna port locations on the router. Each antenna port is numbered. The antenna port numbers can be referenced by installers, support technicians, and other end users when installing, replacing, or troubleshooting the antennas.

**Caution:** Any Connected Grid antenna can be installed in any of the router antenna ports, however, Cisco recommends that antennas be installed in the locations recommended in the *Cisco Connected Grid Antennas Installation Guide*. Doing so ensures correct antenna cable management, ease of installation, and optimal antenna performance.

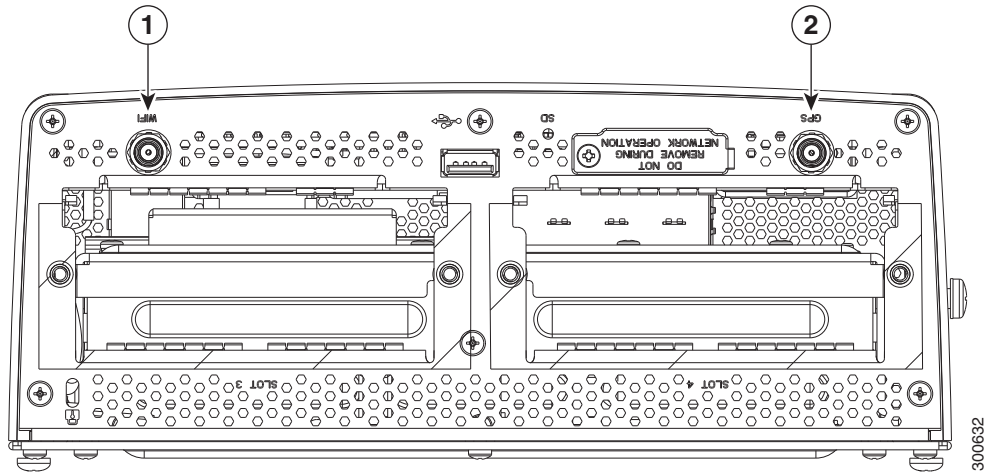
The recommended location for each antenna depends on several factors, including:

- The type and number of Connected Grid modules installed in the router
- The type and number of antennas required to support the installed modules

**Note:** The router integrated [WiFi antenna](#) is always installed in Port 5, and should not be removed or replaced with another antenna model.

Cisco CGR 1120 antenna ports are shown in [Figure 1](#):

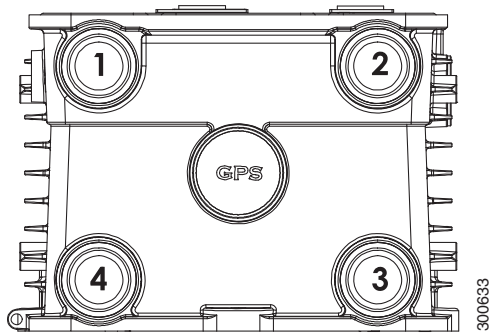
**Figure 1 CGR 1120 Antenna Ports**



1	WiFi antenna connector	2	GPS antenna connector
---	------------------------	---	-----------------------

Cisco CGR 1240 antenna ports are shown in [Figure 2](#):

**Figure 2 CGR 1240 Antenna Port Numbers (Top of Router)**

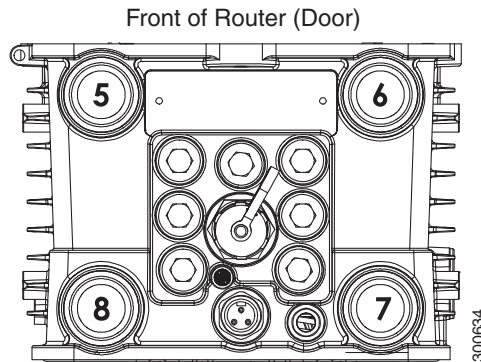


Front of Router (Door)

1	---
2	---
3	3G auxiliary antenna
4	3G main antenna



**Figure 3 CGR 1240 Antenna Port Numbers (Bottom of Router)**



5	900 MHz antenna
6	Integrated WiFi antenna (router ships with this antenna installed)
7	WiMAX antenna
8	WiMAX antenna

## Unused Antenna Ports-N Connectors

Port plugs or female N-connector bulkhead adapters with weatherproof caps must be installed in any unused antenna ports.

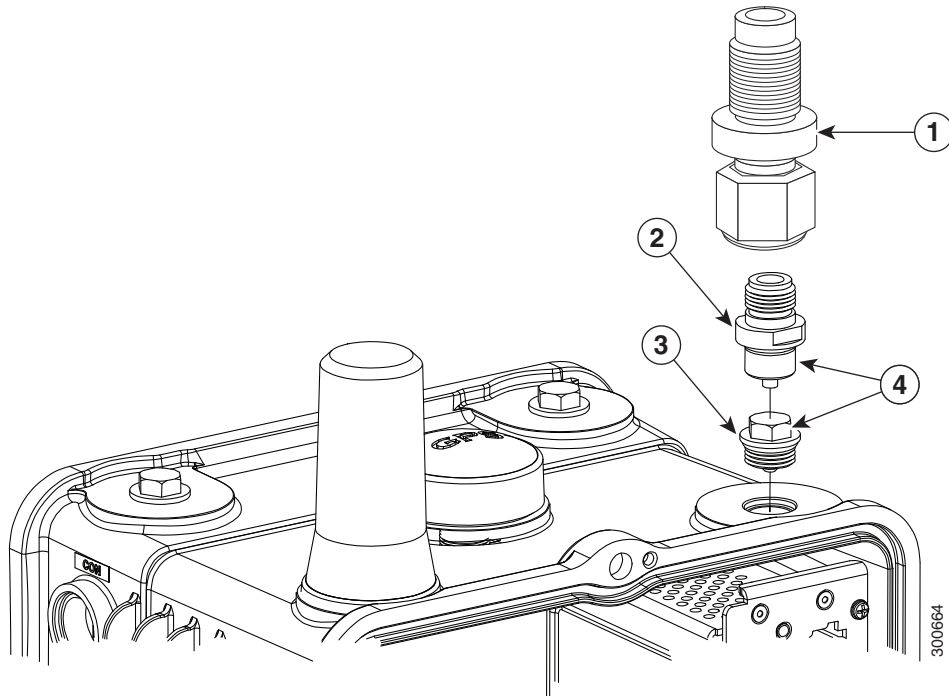
The weatherproof cap on the N-connector protects the router interior from environmental elements including water, heat, cold, and dust. They are installed on unused ports before the router is shipped, and support Cisco external antennas.

When you install a new antenna in a port with an N-connector:

- Chassis-mounted antennas—Remove the N-connector before installing a chassis-mounted antenna.
- External antennas—Remove weatherproof cap, then connect the supported Cisco lightning arrestor to the N-connector. Then connect the antenna cable to the lightning arrestor.

**Note:** See the *Cisco Connected Grid Antennas Installation Guide* for detailed instructions for installing antennas and lightning arrestors.

**Figure 4 N-Connector Installed in Unused Antenna Port**

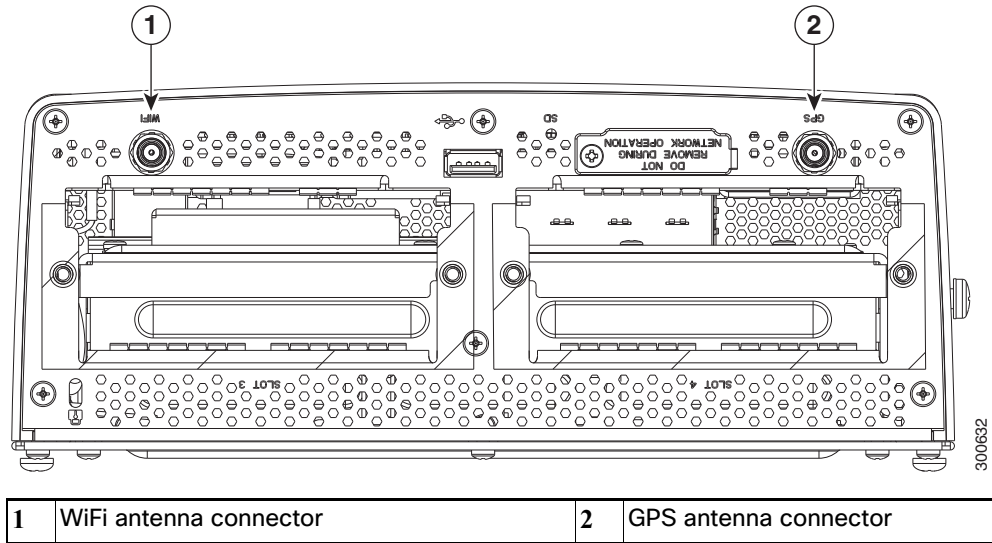


1	Lightning arrester	2	N-connector: torque to 6 to 7 ft-lbs
3	Plug: torque to 6 to 7 ft-lbs	4	Ports must have either an antenna, connector, or plug installed.

## Connecting the Antenna to the CGR 1120

Secure the coaxial end of the end-to-end RF antenna cable to the antenna ports of your CGR 1120 router, as shown in [Figure 5](#).

**Figure 5 Insert Base of Antenna into Router Antenna Port**

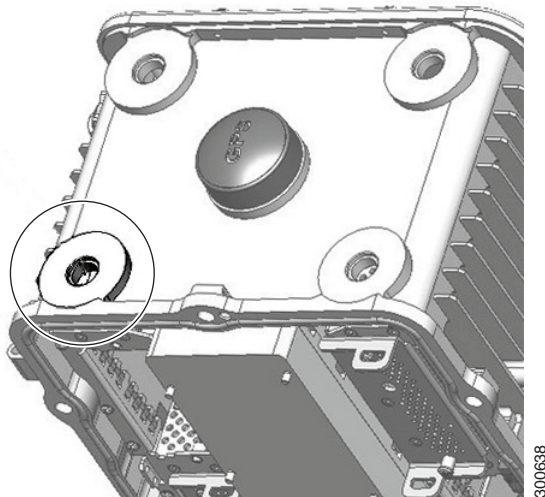


## Connect the Antenna-to-Module Cable in the CGR 1240

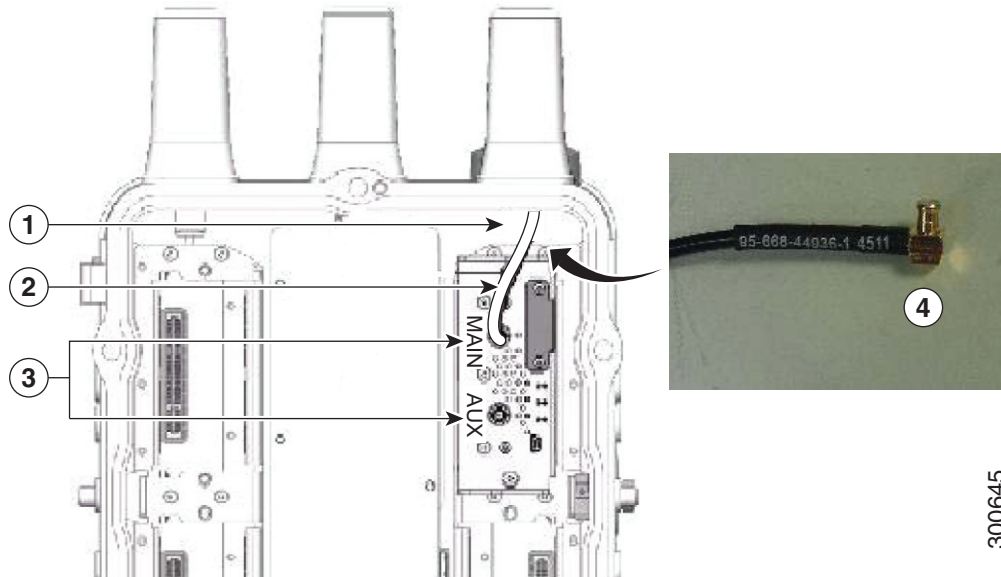
The antenna-to-module coaxial antenna cable (MCX to QMA connectors) is shipped with your antenna. It is used as the interface between the external cable connection to the installed module.

To install the universal coaxial cable onto the router, follow these steps:

1. Remove any plug or N-connector cap on the antenna port, if one is present.
2. Install the lightning arrestor onto the bulkhead N-connector.
3. Attach the antenna cable. Do not tighten the antenna completely—stop tightening so that the antenna is not fully installed.



4. From the chassis interior, the antenna MCX jack should be visible in the plug. With one hand, position the right-angle end of the universal coaxial cable to the antenna's MCX jack. With your other hand, push the cable end so it inserts into the MCX jack of the antenna.



1	Antenna base	2	Universal coaxial antenna cable (MCX-to-QMA-male connector)
3	Connected grid module coaxial connectors (QMA-female)	4	Universal coaxial cable, MCX end

- From the exterior of the router, tighten the antenna using a strap wrench. Tighten to 6 to 7 ft-lbs.
- From the interior of the router, install the coaxial end of the cable to the appropriate connector on your installed module. The antenna cable and module port should be the same color (red, yellow, or green). For more information, see [Antenna and CG Module Color Codes](#), page 36.

**Note:** Take care in routing cables so they avoid pinching and interfering with the Battery Backup Unit (BBU) when the chassis front door is closed.

**Note:** Some modules require two antennas: a main antenna and a diversity antenna. These modules have two antenna connectors on the front panel, labeled MAIN and AUX. Be sure to connect the main and diversity antennas to the correct module connectors.

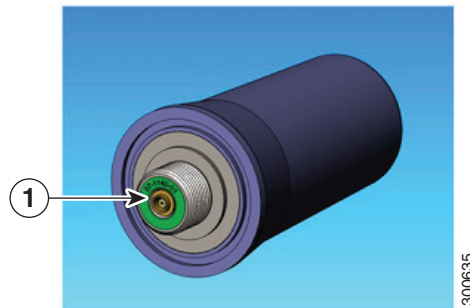
## Antenna and CG Module Color Codes

The antennas and the Cisco Connected Grid modules are color coded to help you correctly connect the antenna cables to the CGR modules installed in the router. The antenna cable has a color at the connector end that corresponds with colored antenna cable port(s) on the supported CGR module.

**Note:** The color coded modules and cables apply to the integrated antennas and the 4G omnidirectional stick dipole antennas only.

When you connect the antenna cable to the CGR module, as described in the section installation procedures of your antenna, match the cable color to the module connector color.

**Figure 6 Example – Color Coding on Antenna Cable**



1	Color-coded antenna base
---	--------------------------

The monopole antenna color code information follows:

Color	Antenna Product Number	Connected Grid Module
Yellow	ANT-MP-INT-OUT-M, 07-1140-02 RF antenna, 900MHz, 3G, WiFi, 2.5GHz WiMAX, omnidirectional, outdoor, transit style, 806 to 960 MHz, 1710 to 2700 MHz, MCX receptacle, 3.2" high, -40 to 185 degrees F (-40 to 85 degrees C)	<ul style="list-style-type: none"> <li>■ RF900</li> <li>■ 3G</li> <li>■ WiMAX 1.8 MHz</li> <li>■ WiMAX 2.3/2.5 GHz</li> </ul>
Green	ANT-4G-INT-OUT-M, 07-1141-02 RF antenna, 4G, omnidirectional, outdoor, transit style, 698-960 MHz, 1710-2700 MHz, MCX receptacle, 3.2" high, -40 to 185 degrees F (-40 to 85 degrees C)	700 MHz LTE 4G
Red	ANT-WM-INT-OUT-M, 07-1142-02 RF 1.4, 3.6 GHz WiMAX, antenna, omnidirectional, outdoor, transit style, 1390 to 1435, 3300 to 3800 MHz, MCX receptacle, 3.2" high, -40 to 185 degrees F (-40 to 85 degrees C)	WiMAX 3.3 to 3.8 GHz

## Cisco Lightning Arrestors

This section provides an overview on how to ground your mast and antenna using the lightning arrestor. See the product documentation for your lightning arrestor for details.

**Note:** The lightning arrestor is not required for indoor antennas.

Cisco lightning arrestors provide a level of safety protection to the installer as well as to wireless equipment by shunting to ground over-voltage transients induced into outdoor antennas and cables. These transients, in mild cases can produce interfering signals in a wireless system, and in extreme cases, can be dangerous and destructive.

Overvoltage transients can be created through lightning static discharges, switch processes, direct contact with power lines, or through earth currents. The Cisco 3G-ACC-OUT-LA Lightning Arrestor limits the amplitude and duration of disturbing interference voltages and improves the overvoltage resistance of in-line equipment, systems, and components. A lightning arrestor installed according to these mounting instructions balances the voltage potential, thus providing safety and preventing inductive interference to parallel signal lines within the protected system.

---

Consider the following:

- Find a suitable location for the arrester near a suitable ground per the relevant Safety codes.
- The arrester should either be bulkhead grounded (preferred way) or grounded through the lug provided and 6 AWG wire no more than 20" (50.8 cm) long.

To install a lightning arrester for the Cisco 1240 CGR (CGR-LA-NM-NF), see:

[http://www.cisco.com/en/US/docs/routers/connectedgrid/lightning\\_arrester/Lightning\\_Arrester\\_for\\_the\\_Cisco\\_1240\\_Connected\\_Grid\\_Router.html](http://www.cisco.com/en/US/docs/routers/connectedgrid/lightning_arrester/Lightning_Arrester_for_the_Cisco_1240_Connected_Grid_Router.html)

## Installing the Lightning Arrester for the CGR 1120

The lightning arrester (CGR-LA-NF-NF) is designed to be installed in series, between the antenna cable that is attached to the 3G outdoor antenna and the second antenna cable entering the building. It is recommended that the arrester and its ground connection is made as close as possible to where it enters the building, either just outside or just inside the building.

Cisco recommends that the lightning arrester is bulkhead-mounted and is being directly attached to a well-grounded bracket or well-grounded panel through the threaded shaft of the arrester and the supplied nut. If this is not possible, then the next best option is to use the ground lug provided with the kit. The ground lug requires a 6-AWG copper ground wire (user provided) that is crimped onto the lug and the other end connected to a good solid ground point (for example, an electrical ground buss bar). You must keep the ground wire length as short (under 20" /50.8 cm) as possible for best results.

This section provides an overview on how to ground your mast and antenna using the lightning arrester. See the product documentation for your lightning arrester for details.

**Warning:** Do not work on the system or connect or disconnect cables during periods of lightning activity. Statement 1001

**Warning:** This equipment must be grounded. Never defeat the ground conductor or operate the equipment in the absence of a suitably installed ground conductor. Contact the appropriate electrical inspection authority or an electrician if you are uncertain that suitable grounding is available. Statement 1024

**Warning:** Only trained and qualified personnel should be allowed to install, replace, or service this equipment. Statement 1030

**Warning:** This warning symbol means danger. You are in a situation that could cause bodily injury. Before you work on any equipment, be aware of the hazards involved with electrical circuitry and be familiar with standard practices for preventing accidents. Use the statement number provided at the end of each warning to locate its translation in the translated safety warnings that accompanied this device. Statement 1071

SAVE THESE INSTRUCTIONS

**Warning:** This product is not intended to be directly connected to the Cable Distribution System. Additional regulatory compliance and legal requirements may apply for direct connection to the Cable Distribution System. This product may connect to the Cable Distribution System ONLY through a device that is approved for direct connection. Statement 1078

**Warning:** Before working on a system that has an on/off switch, turn OFF the power and unplug the power cord. Statement 1

**Note:** Find a suitable location for the lightning arrester near a suitable ground per the relevant Safety codes.

**Note:** Arrester should either be bulkhead grounded (preferred way) or grounded through the lug provided and 6 AWG wire no more than 20" (0.5 m) long.

To ground the antenna in accordance with national electrical code instructions, follow these guidelines:

1. Use No. 6 AWG copper or No. 8 or larger copper-clad steel or bronze wire as ground wires for both mast and antenna lead-in.

- 
2. Securely clamp the wire to the bottom of the mast.
  3. Secure the lead-in wire to a lightning arrester and mast ground wire to the building with stand-off insulators spaced from 4 ft (1.2 m) to 8 ft (1.8 m) apart.
  4. Mount the lightning arrester as close as possible to the lead-in wire entry point on the building wall.
  5. Drill a hole in the wall as close as possible to the equipment to which you will connect the lead-in cable.

**Caution:** There may be wires in the wall. Make sure that you determine the place you intend to drill the hole is clear of any obstructions or other hazards.

6. From inside the building, pull the cable through the hole and form a drip loop close to where it enters the building.
7. Thoroughly waterproof the lead-in area using an outdoor weather seal.
8. Install a static electricity discharge unit.
9. Connect the lead-in cable to the equipment. See the installation steps in the following chapters.

**Note:** Create a strain relief loop with a diameter of at least 0.75" (1.9 cm) for LMR240 cable or at least 1.75" (4.45 cm) for LMR400 cable at the cable/arrestor connection.

10. Attach the lightning arrester.
11. Attach a second cable 25 to 50 ft (7.62 to 15.24 m) from the arrester to the 3G-HWIC main antenna port. The total maximum length of cable recommended is 75 ft (22.86 m) for LMR-240 cable and 100 ft. (30.48 m) for LMR-400 cable in areas with good outdoor signal reception. If this is not sufficient cable length for the application, a site survey and the installer must calculate an appropriate link budget to determine the maximum cable length that can be used for the specific installation.

## Obtaining Technical Assistance

Cisco provides [Cisco.com](http://www.cisco.com) as a starting point for all technical assistance. Customers and partners can obtain documentation, troubleshooting tips, and sample configurations from online tools by using the Cisco Technical Assistance Center (TAC) Web Site. [Cisco.com](http://www.cisco.com) registered users have complete access to the technical support resources on the Cisco TAC Web Site.

[Cisco.com](http://www.cisco.com) is the foundation of a suite of interactive, network services that provides immediate, open access to Cisco information, networking solutions, services, programs, and resources at any time, from anywhere in the world.

[Cisco.com](http://www.cisco.com) is a highly integrated Internet application and a powerful, easy-to-use tool that provides a broad range of features and services to help you to:

- Streamline business processes and improve productivity
- Resolve technical issues with online support
- Download and test software packages
- Order Cisco learning materials and merchandise
- Register for online skill assessment, training, and certification programs

You can self-register on [Cisco.com](http://www.cisco.com) to obtain customized information and service. To access [Cisco.com](http://www.cisco.com), go to the following URL: <http://www.cisco.com>

---

## Additional Information

### Antenna Information

For additional documentation, see the following:

- *For information about antennas and modules, see:*

[www.cisco.com/go/cg-modules](http://www.cisco.com/go/cg-modules)

- For information on omnidirectional and directional antennas, see:

[http://www.cisco.com/en/US/tech/tk722/tk809/technologies\\_tech\\_note09186a00807f34d3.shtml](http://www.cisco.com/en/US/tech/tk722/tk809/technologies_tech_note09186a00807f34d3.shtml)

### Cisco General Information

- Access the most current Cisco documentation at:

<http://www.cisco.com/cisco/web/support/index.html>

- Access the Cisco website at:

<http://www.cisco.com>

- Access international Cisco web sites at:

[http://www.cisco.com/public/countries\\_languages.shtml](http://www.cisco.com/public/countries_languages.shtml)