



IP Addressing: DHCP Configuration Guide, Cisco IOS Release 12.2SX

Americas Headquarters

Cisco Systems, Inc.
170 West Tasman Drive
San Jose, CA 95134-1706
USA
<http://www.cisco.com>
Tel: 408 526-4000
800 553-NETS (6387)
Fax: 408 527-0883



CONTENTS

DHCP Overview 1

Information About DHCP 1

DHCP Overview 1

Benefits of Using Cisco IOS DHCP 2

DHCP Server Relay Agent and Client Operation 2

DHCP Database 3

DHCP Attribute Inheritance 3

DHCP Options and Suboptions 4

DHCP Server On-Demand Address Pool Management Overview 6

DHCP Services for Accounting and Security Overview 6

Additional References 7

Glossary 8

Configuring the Cisco IOS DHCP Server 11

Finding Feature Information 11

Prerequisites for Configuring the DHCP Server 11

Information About the Cisco IOS DHCP Server 12

Overview of the DHCP Server 12

DHCP Attribute Inheritance 12

DHCP Server Address Allocation Using Option 82 12

How to Configure the Cisco IOS DHCP Server 12

Configuring a DHCP Database Agent or Disabling Conflict Logging 13

Excluding IP Addresses 14

Configuring DHCP Address Pools 15

Configuring a DHCP Address Pool 15

Configuring a DHCP Address Pool with Secondary Subnets 20

Troubleshooting Tips 25

Verifying the DHCP Address Pool Configuration 25

Configuring Manual Bindings 27

Troubleshooting Tips 29

Configuring DHCP Static Mapping	29
Configuring the DHCP Server to Read a Static Mapping Text File	31
Customizing DHCP Server Operation	34
Configuring a Remote Router to Import DHCP Server Options from a Central DHCP Server	35
Configuring the Central DHCP Server to Update DHCP Options	35
Configuring the Remote Router to Import DHCP Options	36
Configuring DHCP Address Allocation Using Option 82	38
DHCP Address Allocation Using Option 82 Feature Design	38
Enabling Option 82 for DHCP Address Allocation	39
Troubleshooting Tips	40
Defining the DHCP Class and Relay Agent Information Patterns	40
Troubleshooting Tips	41
Defining the DHCP Address Pool	41
Configuring a Static Route with the Next Hop Dynamically Obtained Through DHCP	43
Clearing DHCP Server Variables	44
Configuration Examples for the Cisco IOS DHCP Server	45
Configuring the DHCP Database Agent Example	46
Excluding IP Addresses Example	46
Configuring DHCP Address Pools Example	46
Configuring a DHCP Address Pool with Multiple Disjoint Subnets Example	47
Configuring Manual Bindings Example	48
Configuring Static Mapping Example	49
Configuring the Option to Ignore all BOOTP Requests Example	49
Importing DHCP Options Example	50
Configuring DHCP Address Allocation Using Option 82 Example	51
Configuring a Static Route with the Next-Hop Dynamically Obtained Through DHCP Example	52
Additional References	52
Feature Information for the Cisco IOS DHCP Server	54
Configuring the Cisco IOS DHCP Relay Agent	57
Finding Feature Information	57
Prerequisites for Configuring the Cisco IOS DHCP Relay Agent	57
Information About the DHCP Relay Agent	58
DHCP Relay Agent Overview	58
How to Configure the DHCP Relay Agent	58
Specifying the Packet Forwarding Address	58

Configuring Relay Agent Information Option Support	60
Configuring Relay Agent Information Option Support per Interface	64
Configuring the Subscriber Identifier Suboption of the Relay Agent Information Option	66
Configuring DHCP Relay Class Support for Client Identification	67
Configuring DHCP Relay Agent Support for MPLS VPNs	70
Configuring Relay Agent Information Option Encapsulation Support	74
Setting the Gateway Address of the DHCP Broadcast to a Secondary Address Using Smart Relay Agent Forwarding	77
Configuring Private and Standard Suboption Numbers Support	78
Troubleshooting the DHCP Relay Agent	78
Configuration Examples for the Cisco IOS DHCP Relay Agent	80
Example Configuring the DHCP Relay Agent and Relay Agent Information Option Support	80
Example Configuring the DHCP Relay Agent and Relay Agent Information Option Support per Interface	80
Example Configuring the Subscriber Identifier Suboption	81
Example Configuring DHCP Relay Class Support for Client Identification	81
Example Configuring DHCP Relay Agent Support for MPLS VPNs	81
Example DHCP Relay Agent Information Option Encapsulation Support	82
Example Configuring DHCP Smart Relay Agent Forwarding	82
Additional References	82
Technical Assistance	84
Feature Information for the Cisco IOS DHCP Relay Agent	84
Glossary	90
Configuring the Cisco IOS DHCP Server	93
Finding Feature Information	93
Prerequisites for Configuring the DHCP Server	93
Information About the Cisco IOS DHCP Server	94
Overview of the DHCP Server	94
DHCP Attribute Inheritance	94
DHCP Server Address Allocation Using Option 82	94
How to Configure the Cisco IOS DHCP Server	94
Configuring a DHCP Database Agent or Disabling Conflict Logging	95
Excluding IP Addresses	96
Configuring DHCP Address Pools	97
Configuring a DHCP Address Pool	97

Configuring a DHCP Address Pool with Secondary Subnets	102
Troubleshooting Tips	107
Verifying the DHCP Address Pool Configuration	107
Configuring Manual Bindings	109
Troubleshooting Tips	111
Configuring DHCP Static Mapping	111
Configuring the DHCP Server to Read a Static Mapping Text File	113
Customizing DHCP Server Operation	116
Configuring a Remote Router to Import DHCP Server Options from a Central DHCP Server	117
Configuring the Central DHCP Server to Update DHCP Options	117
Configuring the Remote Router to Import DHCP Options	118
Configuring DHCP Address Allocation Using Option 82	120
DHCP Address Allocation Using Option 82 Feature Design	120
Enabling Option 82 for DHCP Address Allocation	121
Troubleshooting Tips	122
Defining the DHCP Class and Relay Agent Information Patterns	122
Troubleshooting Tips	123
Defining the DHCP Address Pool	123
Configuring a Static Route with the Next Hop Dynamically Obtained Through DHCP	125
Clearing DHCP Server Variables	126
Configuration Examples for the Cisco IOS DHCP Server	127
Configuring the DHCP Database Agent Example	128
Excluding IP Addresses Example	128
Configuring DHCP Address Pools Example	128
Configuring a DHCP Address Pool with Multiple Disjoint Subnets Example	129
Configuring Manual Bindings Example	130
Configuring Static Mapping Example	131
Configuring the Option to Ignore all BOOTP Requests Example	131
Importing DHCP Options Example	132
Configuring DHCP Address Allocation Using Option 82 Example	133
Configuring a Static Route with the Next-Hop Dynamically Obtained Through DHCP Example	134
Additional References	134
Feature Information for the Cisco IOS DHCP Server	136
DHCP Server Port-Based Address Allocation	139
Finding Feature Information	139

Restrictions for DHCP Server Port-Based Address Allocation	139
Information About DHCP Server Port-Based Address Allocation	139
DHCP Server Port-Based Address Allocation Feature Design	140
How to Configure DHCP Server Port-Based Address Allocation	140
Automatically Generating a Subscriber Identifier for a DHCP Message Received on a Port	141
Troubleshooting Tips	142
Preassigning IP Addresses and Associating Them to a Client	142
Preassigning IP Addresses and Associating Them to a Client	144
Configuration Examples for DHCP Server Port-Based Address Allocation	145
DHCP Server Port-Based Address Allocation Example	145
Additional References	146
Feature Information for DHCP Server Port-Based Address Allocation	147



DHCP Overview

The Dynamic Host Configuration Protocol (DHCP) is based on the Bootstrap Protocol (BOOTP), which provides the framework for passing configuration information to hosts on a TCP/IP network. DHCP adds the capability to automatically allocate reusable network addresses and configuration options to Internet hosts. DHCP consists of two components: a protocol for delivering host-specific configuration parameters from a DHCP server to a host and a mechanism for allocating network addresses to hosts. DHCP is built on a client/server model, where designated DHCP server hosts allocate network addresses and deliver configuration parameters to dynamically configured hosts.

This module describes the concepts needed to understand Cisco IOS DHCP.

- [Information About DHCP, page 1](#)
- [Additional References, page 7](#)
- [Glossary, page 8](#)

Information About DHCP

- [DHCP Overview, page 1](#)
- [Benefits of Using Cisco IOS DHCP, page 2](#)
- [DHCP Server Relay Agent and Client Operation, page 2](#)
- [DHCP Database, page 3](#)
- [DHCP Attribute Inheritance, page 3](#)
- [DHCP Options and Suboptions, page 4](#)
- [DHCP Server On-Demand Address Pool Management Overview, page 6](#)
- [DHCP Services for Accounting and Security Overview, page 6](#)

DHCP Overview

Cisco routers running Cisco IOS software include DHCP server and relay agent software. The Cisco IOS DHCP server is a full DHCP server implementation that assigns and manages IP addresses from specified address pools within the router to DHCP clients. These address pools can also be configured to supply additional information to the requesting client such as the IP address of the DNS server, the default router, and other configuration parameters. If the Cisco IOS DHCP server cannot satisfy a DHCP request from its own database, it can forward the request to one or more secondary DHCP servers defined by the network administrator.

DHCP supports three mechanisms for IP address allocation:

- Automatic allocation--DHCP assigns a permanent IP address to a client.
- Dynamic allocation--DHCP assigns an IP address to a client for a limited period of time, which is called a lease (or until the client explicitly relinquishes the address). DHCP also supports on-demand

address pools (ODAPs), which is a feature in which pools of IP addresses can be dynamically increased or reduced in size depending on the address utilization level. ODAPs support address assignment for customers using private addresses.

- Manual allocation--The network administrator assigns an IP address to a client and DHCP is used simply to convey the assigned address to the client.

The format of DHCP messages is based on the format of BOOTP messages, which ensures support for BOOTP relay agent functionality and interoperability between BOOTP clients and DHCP servers. BOOTP relay agents eliminate the need for deploying a DHCP server on each physical network segment. BOOTP is explained in RFC 951, Bootstrap Protocol (BOOTP), and RFC 1542, Clarifications and Extensions for the Bootstrap Protocol.

The main advantage of DHCP compared to BOOTP is that DHCP does not require that the DHCP server be configured with all MAC addresses of all clients. DHCP defines a process by which the DHCP server knows the IP subnet in which the DHCP client resides, and it can assign an IP address from a pool of valid IP addresses in that subnet. Most of the other information that DHCP might supply, such as the default router IP address, is the same for all hosts in the subnet, so DHCP servers can usually configure information per subnet rather than per host. This functionality reduces network administration tasks compared to BOOTP.

Benefits of Using Cisco IOS DHCP

The Cisco IOS DHCP implementation offers the following benefits:

- Reduced Internet access costs

Using automatic IP address assignment at each remote site substantially reduces Internet access costs. Static IP addresses are considerably more expensive to purchase than are automatically allocated IP addresses.

- Reduced client configuration tasks and costs

Because DHCP is easy to configure, it minimizes operational overhead and costs associated with device configuration tasks and eases deployment by nontechnical users.

- Centralized management

Because the DHCP server maintains configurations for several subnets, an administrator only needs to update a single, central server when configuration parameters change.

DHCP Server Relay Agent and Client Operation

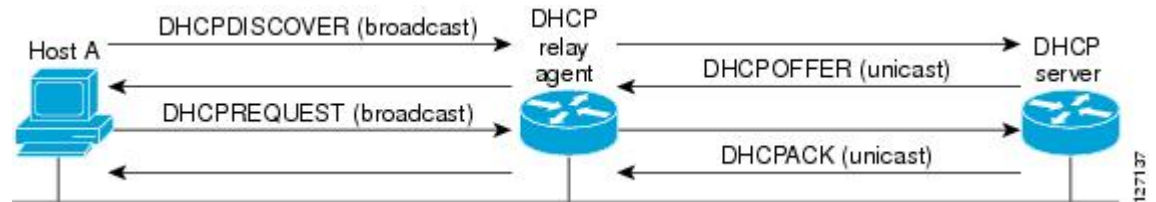
DHCP provides a framework for passing configuration information dynamically to hosts on a TCP/IP network. A DHCP client is an Internet host that uses DHCP to obtain configuration parameters such as an IP address.

A DHCP relay agent is any host that forwards DHCP packets between clients and servers. Relay agents are used to forward requests and replies between clients and servers when they are not on the same physical subnet. Relay agent forwarding is distinct from the normal forwarding of an IP router, where IP datagrams are switched between networks, somewhat transparently. In contrast, relay agents receive DHCP messages and then generate a new DHCP message to send on another interface.

The figure below shows the basic steps that occur when a DHCP client requests an IP address from a DHCP server. The client, Host A, sends a DHCPDISCOVER broadcast message to locate a DHCP server. A relay agent forwards the packets between the DHCP client and server. A DHCP server offers

configuration parameters (such as an IP address, a MAC address, a domain name, and a lease for the IP address) to the client in a DHCP OFFER unicast message.

Figure 1



A DHCP client may receive offers from multiple DHCP servers and can accept any one of the offers; however, the client usually accepts the first offer it receives. Additionally, the offer from the DHCP server is not a guarantee that the IP address will be allocated to the client; however, the server usually reserves the address until the client has had a chance to formally request the address.

The client returns a formal request for the offered IP address to the DHCP server in a DHCPREQUEST broadcast message. The DHCP server confirms that the IP address has been allocated to the client by returning a DHCPACK unicast message to the client.

The formal request for the offered IP address (the DHCPREQUEST message) that is sent by the client is broadcast so that all other DHCP servers that received the DHCPDISCOVER broadcast message from the client can reclaim the IP addresses that they offered to the client.

If the configuration parameters sent to the client in the DHCP OFFER unicast message by the DHCP server are invalid (a misconfiguration error exists), the client returns a DHCPDECLINE broadcast message to the DHCP server.

The DHCP server will send a DHCPNAK denial broadcast message to the client, which means that the offered configuration parameters have not been assigned, if an error has occurred during the negotiation of the parameters or the client has been slow in responding to the DHCP OFFER message (the DHCP server assigned the parameters to another client) of the DHCP server.

DHCP Database

DHCP address pools are stored in nonvolatile RAM (NVRAM). There is no limit on the number of address pools. An address binding is the mapping between the client's IP and hardware addresses. The client's IP address can be configured by the administrator (manual address allocation) or assigned from a pool by the DHCP server.

Manual bindings are stored in NVRAM. Manual bindings are just special address pools configured by a network administrator. There is no limit on the number of manual bindings.

Automatic bindings are IP addresses that have been automatically mapped to the MAC addresses of hosts that are found in the DHCP database. Automatic bindings are stored on a remote host called the database agent. A DHCP database agent is any host—for example, an FTP, TFTP, or RCP server—that stores the DHCP bindings database. The bindings are saved as text records for easy maintenance.

You can configure multiple DHCP database agents and the interval between database updates and transfers for each agent.

DHCP Attribute Inheritance

The DHCP server database is organized as a tree. The root of the tree is the address pool for natural networks, branches are subnetwork address pools, and leaves are manual bindings to clients. Subnetworks

inherit network parameters and clients inherit subnetwork parameters. Therefore, common parameters, for example the domain name, should be configured at the highest (network or subnetwork) level of the tree.

Inherited parameters can be overridden. For example, if a parameter is defined in both the natural network and a subnetwork, the definition of the subnetwork is used.

Address leases are not inherited. If a lease is not specified for an IP address, by default, the DHCP server assigns a one-day lease for the address.

DHCP Options and Suboptions

Configuration parameters and other control information are carried in tagged data items that are stored in the options field of the DHCP message. Options provide a method of appending additional information. Vendors that want to provide additional information to their client not designed into the protocol can use options.

The Cisco IOS DHCP implementation also allows most DHCP server options to be customized. For example, the TFTP server, which stores the Cisco IOS image, can be customized with option 150 to support intelligent IP phones.

VPNs allow the possibility that two pools in separate networks can have the same address space, with private network addresses, served by the same DHCP server. Cisco IOS software supports VPN-related options and suboptions such as the relay agent information option and VPN identification suboption. A relay agent can recognize these VPN-related options and suboptions and forward the client-originated DHCP packets to a DHCP server. The DHCP server can use this information to assign IP addresses and other parameters, distinguished by a VPN identifier, to help select the VPN to which the client belongs.

For more information on DHCP options and suboptions, see the “[DHCP Options](#)” appendix in the *Network Registrar User's Guide*, Release 6.2.

During lease negotiation, the DHCP server sends the options shown in the table below to the client.

Table 1 **Default DHCP Server Options**

DHCP Option Name	DHCP Option Code	Description
Subnet mask option	1	Specifies the client's subnet mask per RFC 950.
Router option	3	Specifies a list of IP addresses for routers on the client's subnet, usually listed in order of preference.
Domain name server option	6	Specifies a list of DNS name servers available to the client, usually listed in order of preference.
Hostname option	12	Specifies the name of the client. The name may or may not be qualified with the local domain name.
Domain name option	15	Specifies the domain name that the client should use when resolving hostnames via the Domain Name System.

DHCP Option Name	DHCP Option Code	Description
NetBIOS over TCP/IP name server option	44	Specifies a list of RFC 1001/1002 NetBIOS name servers listed in order of preference.
NetBIOS over TCP/IP node type option	46	Enables NetBIOS over TCP/IP clients that are configurable to be configured as described in RFC 1001/1002.
IP address lease time option	51	Allows the client to request a lease for the IP address.
DHCP message type option	53	Conveys the type of the DHCP message.
Server identifier option	54	Identifies the IP address of the selected DHCP server.
Renewal (T1) time option	58	Specifies the time interval from address assignment until the client transitions to the renewing state.
Rebinding (T2) time option	59	Specifies the time interval from address assignment until the client transitions to the rebinding state.

The table below lists the option codes that are not used for DHCP pool configuration:

Table 2 DHCP Server Options--Not Used for DHCP Pool Configuration

Macro Name	DHCP Option Code
DHCPOPT_PAD	0
DHCPOPT_SUBNET_MASK	1
DHCPOPT_DEFAULT_ROUTER	3
DHCPOPT_DOMAIN_NAME_SERVER	6
DHCPOPT_HOST_NAME	12
DHCPOPT_DOMAIN_NAME	15
DHCPOPT_NETBIOS_NAME_SERVER	44
DHCPOPT_NETBIOS_NODE_TYPE	46
DHCPOPT_REQUESTED_ADDRESS	50
DHCPOPT_LEASE_TIME	51
DHCPOPT_OPTION_OVERLOAD	52
DHCPOPT_MESSAGE_TYPE	53

Macro Name	DHCP Option Code
DHCPOPT_SERVER_IDENTIFIER	54
DHCPOPT_RENEWAL_TIME	58
DHCPOPT_REBINDING_TIME	59
DHCPOPT_CLIENT_IDENTIFIER	61
DHCPOPT_RELAY_INFORMATION	82
DHCPOPT_END	255

DHCP Server On-Demand Address Pool Management Overview

The Cisco IOS DHCP server on-demand address pool (ODAP) manager is used to centralize the management of large pools of addresses and simplify the configuration of large networks. ODAP provides a central management point for the allocation and assignment of IP addresses. When a Cisco IOS router is configured as an ODAP manager, pools of IP addresses are dynamically increased or reduced in size depending on the address utilization level.

ODAPs support address assignment using DHCP for customers using private addresses. Each ODAP is configured and associated with a particular Multiprotocol Label Switching (MPLS) VPN. Cisco IOS software also provides ODAP support for non-MPLS VPN address pools by adding pool name support to the **peer default ip address dhcp-pool *pool name*** command.

DHCP server subnet allocation is a way of offering entire subnets (ranges of addresses) to relay agents so that remote access devices can provision IP addresses to DHCP clients. This functionality can occur along with or instead of managing individual client addresses. Subnet allocation can improve IP address provisioning, aggregation, characterization, and distribution by relying on the DHCP infrastructure to dynamically manage subnets.

This capability allows the DHCP server to be configured with a pool of subnets for lease to ODAP clients. Subnet pools can be configured for global ODAP clients or MPLS VPN ODAP clients on a per-client basis. The DHCP subnet allocation server creates bindings for the subnet leases and stores these leases in the DHCP database.

DHCP Services for Accounting and Security Overview

Cisco IOS software supports several new capabilities that enhance DHCP accounting, reliability, and security in Public Wireless LANs (PWLANS). This functionality can also be used in other network implementations.

DHCP accounting provides authentication, authorization, and accounting (AAA) and Remote Authentication Dial-In User Service (RADIUS) support for DHCP. The AAA and RADIUS support improves security by sending secure START and STOP accounting messages. The configuration of DHCP accounting adds a layer of security that allows DHCP lease assignment and termination to be triggered for the appropriate RADIUS START and STOP accounting records so that the session state is properly maintained by upstream devices such as a Service Selection Gateway (SSG). This additional security can help to prevent unauthorized clients or hackers from gaining illegal entry to the network by spoofing authorized DHCP leases.

Three other features have been designed and implemented to address the security concerns in PWLANS. The first feature secures ARP table entries to DHCP leases in the DHCP database. The secure ARP

functionality prevents IP spoofing by synchronizing the database of the DHCP server with the ARP table to avoid address hijacking. Secure ARP adds an entry to the ARP table for a client when an address is allocated that can be deleted by the DHCP server only when a binding expires.

The second feature is DHCP authorized ARP. This functionality provides a complete solution by addressing the need for DHCP to explicitly know when a user logs out. Before the introduction of DHCP authorized ARP, there was no mechanism to inform the DHCP server if a user had left the system ungracefully, which could result in excessive billing for a customer that had logged out but the system had not detected the log out. To prevent this problem, DHCP authorized ARP sends periodic ARP messages on a per-minute basis to determine if a user is still logged in. Only authorized users can respond to the ARP request. ARP responses from unauthorized users are blocked at the DHCP server providing an extra level of security.

In addition, DHCP authorized ARP disables dynamic ARP learning on an interface. The address mapping can be installed only by the authorized component specified by the **arp authorized** interface configuration command. DHCP is the only authorized component currently allowed to install ARP entries.

The third feature is ARP autologoff, which adds finer control for probing when authorized users log out. The **arp probe interval** command specifies when to start a probe (the timeout), how frequent a peer is probed (the interval), and the maximum number of retries (the count).

Additional References

Related Documents

Related Topic	Document Title
Cisco IOS commands	Cisco IOS Master Commands List, All Releases
DHCP commands: complete command syntax, command mode, command history, defaults, usage guidelines, and examples	<i>Cisco IOS IP Addressing Services Command Reference</i>
DHCP server configuration	“Configuring the Cisco IOS DHCP Server” module
DHCP relay agent configuration	“Configuring the Cisco IOS DHCP Relay Agent” module
DHCP client configuration	“Configuring the Cisco IOS DHCP Client” module
DHCP server on-demand address pools	“Configuring the DHCP Server On-Demand Address Pool Manager” module
DHCP advanced features	“Configuring DHCP Services for Accounting and Security” module
DHCP enhancements for edge-session management	“Configuring DHCP Enhancements for Edge-Session Management” module
DHCP options	“DHCP Options” appendix in the <i>Network Registrar User’s Guide</i> , Release 6.1.1

Standards

Standard	Title
No new or modified standards are supported.	--

MIBs

MIB	MIBs Link
No new or modified MIBs are supported.	To locate and download MIBs for selected platforms, Cisco software releases, and feature sets, use Cisco MIB Locator found at the following URL: http://www.cisco.com/go/mibs

RFCs

RFC	Title
RFC 951	<i>Bootstrap Protocol (BOOTP)</i>
RFC 1542	<i>Clarifications and Extensions for the Bootstrap Protocol</i>
RFC 2131	<i>Dynamic Host Configuration Protocol</i>
RFC 2132	<i>DHCP Options and BOOTP Vendor Extensions</i>

Technical Assistance

Description	Link
The Cisco Support and Documentation website provides online resources to download documentation, software, and tools. Use these resources to install and configure the software and to troubleshoot and resolve technical issues with Cisco products and technologies. Access to most tools on the Cisco Support and Documentation website requires a Cisco.com user ID and password.	http://www.cisco.com/cisco/web/support/index.html

Glossary

address binding --A mapping between the client's IP and hardware (MAC) addresses. The client's IP address may be configured by the administrator (manual address allocation) or assigned from a pool by the DHCP server (automatic address allocation). The binding also contains a lease expiration date. The default for the lease expiration date is one day.

address conflict --A duplication of use of the same IP address by two hosts. During address assignment, DHCP checks for conflicts using ping and gratuitous (ARP). If a conflict is detected, the address is removed from the pool. The address will not be assigned until the administrator resolves the conflict.

address pool --The range of IP addresses assigned by the DHCP server. Address pools are indexed by subnet number.

automatic address allocation --An address assignment method where a network administrator obtains an IP address for a client for a finite period of time or until the client explicitly relinquishes the address. Automatic allocation is particularly useful for assigning an address to a client that will be connected to the network only temporarily or for sharing a limited pool of IP addresses among a group of clients that do not need permanent IP addresses. Automatic allocation may also be a good choice for assigning an IP address to a new client being permanently connected to a network where IP addresses are sufficiently scarce that it is important to reclaim them when old clients are retired.

BOOTP --Bootstrap Protocol. A protocol that provides a method for a booting computer to find out its IP address and the location of the boot file with the rest of its parameters.

client --Any host requesting configuration parameters.

database--A collection of address pools and bindings.

database agent --Any host storing the DHCP bindings database, for example, a Trivial File Transfer Protocol (TFTP) server.

DHCP --Dynamic Host Configuration Protocol. A protocol that provides a mechanism for allocating IP addresses dynamically so that addresses can be reused when hosts no longer need them.

DNS --Domain Name System. A system used in the Internet for translating names of network nodes into addresses.

manual address allocation --An address assignment method that allocates an administratively assigned IP address to a host. Manual allocation allows DHCP to be used to eliminate the error-prone process of manually configuring hosts with IP addresses.

PWLAN --Public Wireless Local Area Network. A type of wireless LAN, often referred to as a hotspot, that anyone having a properly configured computer device can access.

relay agent --A router that forwards DHCP and BOOTP messages between a server and a client on different subnets.

server --Any host providing configuration parameters.

SSG --Service Selection Gateway. The Cisco IOS feature set that provides on-demand service enforcement within the Cisco network.

Cisco and the Cisco Logo are trademarks of Cisco Systems, Inc. and/or its affiliates in the U.S. and other countries. A listing of Cisco's trademarks can be found at www.cisco.com/go/trademarks. Third party trademarks mentioned are the property of their respective owners. The use of the word partner does not imply a partnership relationship between Cisco and any other company. (1005R)

Any Internet Protocol (IP) addresses and phone numbers used in this document are not intended to be actual addresses and phone numbers. Any examples, command display output, network topology diagrams, and other figures included in the document are shown for illustrative purposes only. Any use of actual IP addresses or phone numbers in illustrative content is unintentional and coincidental.



Configuring the Cisco IOS DHCP Server

Cisco routers running Cisco IOS software include Dynamic Host Configuration Protocol (DHCP) server and relay agent software. The Cisco IOS DHCP server is a full DHCP server implementation that assigns and manages IP addresses from specified address pools within the router to DHCP clients. The DHCP server can be configured to assign additional parameters such as the IP address of the Domain Name System (DNS) server and the default router.

This module describes the concepts and the tasks needed to configure the Cisco IOS DHCP server.

- [Finding Feature Information, page 11](#)
- [Prerequisites for Configuring the DHCP Server, page 11](#)
- [Information About the Cisco IOS DHCP Server, page 12](#)
- [How to Configure the Cisco IOS DHCP Server, page 12](#)
- [Configuration Examples for the Cisco IOS DHCP Server, page 45](#)
- [Additional References, page 52](#)
- [Feature Information for the Cisco IOS DHCP Server, page 54](#)

Finding Feature Information

Your software release may not support all the features documented in this module. For the latest feature information and caveats, see the release notes for your platform and software release. To find information about the features documented in this module, and to see a list of the releases in which each feature is supported, see the Feature Information Table at the end of this document.

Use Cisco Feature Navigator to find information about platform support and Cisco software image support. To access Cisco Feature Navigator, go to www.cisco.com/go/cfn. An account on Cisco.com is not required.

Prerequisites for Configuring the DHCP Server

Before you configure the Cisco IOS DHCP server, you should understand the concepts documented in the “DHCP Overview” module.

The Cisco IOS DHCP server and relay agent are enabled by default. You can verify if they have been disabled by checking your configuration file. If they have been disabled, the **no service dhcp** command will appear in the configuration file. Use the **service dhcp** command to reenabte the functionality if necessary.

Port 67 (the server port) is closed in the Cisco IOS DHCP/BOOTP default configuration. There are two logical parts to the **service dhcp** command: service enabled and service running. The DHCP service is enabled by default, but port 67 is not opened until the DHCP service is running. If the service is running, the **show ip sockets details** or **show sockets detail** command displays port 67 as open.

The Cisco IOS DHCP relay agent will be enabled on an interface only when the **ip helper-address** is configured. This command enables the DHCP broadcast to be forwarded to the configured DHCP server.

Information About the Cisco IOS DHCP Server

- [Overview of the DHCP Server, page 12](#)
- [DHCP Attribute Inheritance, page 12](#)
- [DHCP Server Address Allocation Using Option 82, page 12](#)

Overview of the DHCP Server

The Cisco IOS DHCP server accepts address assignment requests and renewals and assigns the addresses from predefined groups of addresses contained within DHCP address pools. These address pools can also be configured to supply additional information to the requesting client such as the IP address of the DNS server, the default router, and other configuration parameters. The Cisco IOS DHCP server can accept broadcasts from locally attached LAN segments or from DHCP requests that have been forwarded by other DHCP relay agents within the network.

DHCP Attribute Inheritance

The DHCP server database is organized as a tree. The root of the tree is the address pool for natural networks, branches are subnetwork address pools, and leaves are manual bindings to clients. Subnetworks inherit network parameters and clients inherit subnetwork parameters. Therefore, common parameters (for example, the domain name) should be configured at the highest (network or subnetwork) level of the tree.

Inherited parameters can be overridden. For example, if a parameter is defined in both the natural network and a subnetwork, the definition of the subnetwork is used.

Address leases are not inherited. If a lease is not specified for an IP address, by default, the DHCP server assigns a one-day lease for the address.

DHCP Server Address Allocation Using Option 82

The Cisco IOS DHCP server can allocate dynamic IP addresses based on the relay information option (option 82) information sent by the relay agent.

Automatic DHCP address allocation is typically based on an IP address, whether it be the gateway address (giaddr field of the DHCP packet) or the incoming interface IP address. In some networks, it is necessary to use additional information to further determine which IP addresses to allocate. By using option 82, the Cisco IOS relay agent has long been able to include additional information about itself when forwarding client-originated DHCP packets to a DHCP server. The Cisco IOS DHCP server can also use option 82 as a means to provide additional information to properly allocate IP addresses to DHCP clients.

How to Configure the Cisco IOS DHCP Server

- [Configuring a DHCP Database Agent or Disabling Conflict Logging, page 13](#)
- [Excluding IP Addresses, page 14](#)
- [Configuring DHCP Address Pools, page 15](#)

- [Configuring Manual Bindings, page 27](#)
- [Configuring DHCP Static Mapping, page 29](#)
- [Customizing DHCP Server Operation, page 34](#)
- [Configuring a Remote Router to Import DHCP Server Options from a Central DHCP Server, page 35](#)
- [Configuring DHCP Address Allocation Using Option 82, page 38](#)
- [Configuring a Static Route with the Next Hop Dynamically Obtained Through DHCP, page 43](#)
- [Clearing DHCP Server Variables, page 44](#)

Configuring a DHCP Database Agent or Disabling Conflict Logging

Perform this task to configure a DHCP database agent.

A DHCP database agent is any host (for example, an FTP, TFTP, or rcp server) or storage media on the DHCP server (for example, disk0) that stores the DHCP bindings database. You can configure multiple DHCP database agents, and you can configure the interval between database updates and transfers for each agent.

Automatic bindings are IP addresses that have been automatically mapped to the MAC addresses of hosts that are found in the DHCP database. Automatic binding information (such as lease expiration date and time, interface index, and VPN routing and forwarding [VRF] name) is stored on a database agent. The bindings are saved as text records for easy maintenance.

An address conflict occurs when two hosts use the same IP address. During address assignment, DHCP checks for conflicts using ping and gratuitous Address Resolution Protocol (ARP). If a conflict is detected, the address is removed from the pool. The address will not be assigned until the administrator resolves the conflict.



Note

We strongly recommend using database agents. However, the Cisco IOS server can run without them. If you choose not to configure a DHCP database agent, disable the recording of DHCP address conflicts on the DHCP server by using the **no ip dhcp conflict logging** command in global configuration mode. If there is conflict logging but no database agent configured, bindings are lost across router reboots. Possible false conflicts can occur causing the address to be removed from the address pool until the network administrator intervenes.

>

SUMMARY STEPS

1. **enable**
2. **configure terminal**
3. Do one of the following:
 - **ip dhcp database** *url* [**timeout** *seconds* | **write-delay** *seconds*]
 - or
 - **no ip dhcp conflict logging**

DETAILED STEPS

Command or Action	Purpose
<p>Step 1 <code>enable</code></p> <p>Example:</p> <pre>Router> enable</pre>	<p>Enables privileged EXEC mode.</p> <ul style="list-style-type: none"> • Enter your password if prompted.
<p>Step 2 <code>configure terminal</code></p> <p>Example:</p> <pre>Router# configure terminal</pre>	<p>Enters global configuration mode.</p>
<p>Step 3 Do one of the following:</p> <ul style="list-style-type: none"> • <code>ip dhcp database url [timeout seconds write-delay seconds]</code> • or • <code>no ip dhcp conflict logging</code> <p>Example:</p> <pre>Router(config)# ip dhcp database ftp://user:password@172.16.1.1/router-dhcp timeout 80</pre> <p>Example:</p> <pre>Router(config)# no ip dhcp conflict logging</pre>	<p>Configures a DHCP server to save automatic bindings on a remote host called a database agent.</p> <p>or</p> <p>Disables DHCP address conflict logging.</p>

Excluding IP Addresses

Perform this task to specify IP addresses (excluded addresses) that the DHCP server should not assign to clients.

The IP address configured on the router interface is automatically excluded from the DHCP address pool. The DHCP server assumes that all other IP addresses in a DHCP address pool subnet are available for assigning to DHCP clients.

You need to exclude addresses from the pool if the DHCP server should not allocate those IP addresses. An example usage scenario is when two DHCP servers are set up to service the same network segment (subnet) for redundancy. If the two DHCP servers do not coordinate their services with each other using a protocol such as DHCP failover, then each DHCP server must be configured to allocate from a nonoverlapping set of addresses in the shared subnet. See the "Configuring Manual Bindings Example" section for a configuration example.

SUMMARY STEPS

1. **enable**
2. **configure terminal**
3. **ip dhcp excluded-address** *low-address* [*high-address*]

DETAILED STEPS

Command or Action	Purpose
Step 1 enable Example: <pre>Router> enable</pre>	Enables privileged EXEC mode. <ul style="list-style-type: none"> • Enter your password if prompted.
Step 2 configure terminal Example: <pre>Router# configure terminal</pre>	Enters global configuration mode.
Step 3 ip dhcp excluded-address <i>low-address</i> [<i>high-address</i>] Example: <pre>Router(config)# ip dhcp excluded-address 172.16.1.100 172.16.1.103</pre>	Specifies the IP addresses that the DHCP server should not assign to DHCP clients.

Configuring DHCP Address Pools

- [Configuring a DHCP Address Pool, page 15](#)
- [Configuring a DHCP Address Pool with Secondary Subnets, page 20](#)
- [Troubleshooting Tips, page 25](#)
- [Verifying the DHCP Address Pool Configuration, page 25](#)

Configuring a DHCP Address Pool

Perform this task to configure a DHCP address pool. On a per-address pool basis, specify DHCP options for the client as necessary.

You can configure a DHCP address pool with a name that is a symbolic string (such as “engineering”) or an integer (such as 0). Configuring a DHCP address pool also puts the router into DHCP pool configuration mode--identified by the (dhcp-config)# prompt--from which you can configure pool parameters (for example, the IP subnet number and default router list).

DHCP defines a process by which the DHCP server knows the IP subnet in which the DHCP client resides, and it can assign an IP address from a pool of valid IP addresses in that subnet. The process by which the

DHCP server identifies which DHCP address pool to use to service a client request is described in the "Configuring Manual Bindings" task.

The DHCP server identifies which DHCP address pool to use to service a client request as follows:

- If the client is not directly connected (the giaddr field of the DHCPDISCOVER broadcast message is nonzero), the DHCP server matches the DHCPDISCOVER with a DHCP pool that has the subnet that contains the IP address in the giaddr field.
- If the client is directly connected (the giaddr field is zero), the DHCP server matches the DHCPDISCOVER with DHCP pools that contain the subnets configured on the receiving interface. If the interface has secondary IP addresses, the subnets associated with the secondary IP addresses are examined for possible allocation only after the subnet associated with the primary IP address (on the interface) is exhausted.

Cisco IOS DHCP server software supports advanced capabilities for IP address allocation. See the "Configuring DHCP Address Allocation Using Option" section for more information.

Before you configure the DHCP address pool, you need to:

- Identify DHCP options for devices where necessary, including the following:
 - Default boot image name
 - Default routers
 - DNS servers
 - NetBIOS name server
 - Primary subnet
 - Secondary subnets and subnet-specific default router lists (see "Configuring a DHCP Address Pool with Secondary Subnets" for information on secondary subnets).
- Decide on a NetBIOS node type (b, p, m, or h).
- Decide on a DNS domain name.



Note

You cannot configure manual bindings within the same pool that is configured with the **network** DHCP pool configuration command. To configure manual bindings, see "Configuring Manual Bindings".

SUMMARY STEPS

1. **enable**
2. **configure terminal**
3. **ip dhcp pool** *name*
4. **utilization mark high** *percentage-number* [**log**]
5. **utilization mark low** *percentage-number* [**log**]
6. **network** *network-number* [{*mask* | /*prefix-length*} [**secondary**]]
7. **domain-name** *domain*
8. **dns-server** *address* [*address2* ... *address8*]
9. **bootfile** *filename*
10. **next-server** *address* [*address2* ... *address8*]
11. **netbios-name-server** *address* [*address2* ... *address8*]
12. **netbios-node-type** *type*
13. **default-router** *address* [*address2* ... *address8*]
14. **option** *code* [**instance number**] {*ascii string* | **hex string** | *ip-address*}
15. **lease** {*days* [*hours* [*minutes*]] | **infinite**}
16. **end**

DETAILED STEPS

	Command or Action	Purpose
Step 1	<p>enable</p> <p>Example:</p> <pre>Router> enable</pre>	<p>Enables privileged EXEC mode.</p> <ul style="list-style-type: none"> • Enter your password if prompted.
Step 2	<p>configure terminal</p> <p>Example:</p> <pre>Router# configure terminal</pre>	<p>Enters global configuration mode.</p>
Step 3	<p>ip dhcp pool <i>name</i></p> <p>Example:</p> <pre>Router(config)# ip dhcp pool 1</pre>	<p>Creates a name for the DHCP server address pool and enters DHCP pool configuration mode.</p>

Command or Action	Purpose
<p>Step 4 utilization mark high <i>percentage-number</i> [log]</p> <p>Example:</p> <pre>Router(dhcp-config)# utilization mark high 80 log</pre>	<p>(Optional) Configures the high utilization mark of the current address pool size.</p> <ul style="list-style-type: none"> The log keyword enables the logging of a system message. A system message will be generated for a DHCP pool when the pool utilization exceeds the configured high utilization threshold.
<p>Step 5 utilization mark low <i>percentage-number</i> [log]</p> <p>Example:</p> <pre>Router(dhcp-config)# utilization mark low 70 log</pre>	<p>(Optional) Configures the low utilization mark of the current address pool size.</p> <ul style="list-style-type: none"> The log keyword enables the logging of a system message. A system message will be generated for a DHCP pool when the pool utilization falls below the configured low utilization threshold.
<p>Step 6 network <i>network-number</i> [{<i>mask</i> /<i>prefix-length</i>}] [secondary]</p> <p>Example:</p> <pre>Router(dhcp-config)# network 172.16.0.0 /16</pre>	<p>Specifies the subnet network number and mask of the DHCP address pool.</p>
<p>Step 7 domain-name <i>domain</i></p> <p>Example:</p> <pre>Router(dhcp-config)# domain-name cisco.com</pre>	<p>Specifies the domain name for the client.</p>
<p>Step 8 dns-server <i>address</i> [<i>address2</i> ... <i>address8</i>]</p> <p>Example:</p> <pre>Router(dhcp-config)# dns server 172.16.1.103 172.16.2.103</pre>	<p>Specifies the IP address of a DNS server that is available to a DHCP client.</p> <ul style="list-style-type: none"> One IP address is required; however, you can specify up to eight IP addresses in one command line. Servers should be listed in order of preference.
<p>Step 9 bootfile <i>filename</i></p> <p>Example:</p> <pre>Router(dhcp-config)# bootfile xllboot</pre>	<p>(Optional) Specifies the name of the default boot image for a DHCP client.</p> <ul style="list-style-type: none"> The boot file is used to store the boot image for the client. The boot image is generally the operating system the client uses to load.

Command or Action	Purpose
<p>Step 10 <code>next-server address [address2 ... address8]</code></p> <p>Example:</p> <pre>Router(dhcp-config)# next-server 172.17.1.103 172.17.2.103</pre>	<p>(Optional) Configures the next server in the boot process of a DHCP client.</p> <ul style="list-style-type: none"> • If multiple servers are specified, DHCP assigns them to clients in round-robin order. The first client gets address 1, the next client gets address 2, and so on. • If this command is not configured, DHCP uses the server specified by the ip helper address command as the boot server.
<p>Step 11 <code>netbios-name-server address [address2 ... address8]</code></p> <p>Example:</p> <pre>Router(dhcp-config)# netbios-name- server 172.16.1.103 172.16.2.103</pre>	<p>(Optional) Specifies the NetBIOS WINS server that is available to a Microsoft DHCP client.</p> <ul style="list-style-type: none"> • One address is required; however, you can specify up to eight addresses in one command line. • Servers should be listed in order of preference.
<p>Step 12 <code>netbios-node-type type</code></p> <p>Example:</p> <pre>Router(dhcp-config)# netbios-node- type h-node</pre>	<p>(Optional) Specifies the NetBIOS node type for a Microsoft DHCP client.</p>
<p>Step 13 <code>default-router address [address2 ... address8]</code></p> <p>Example:</p> <pre>Router(dhcp-config)# default-router 172.16.1.100 172.16.1.101</pre>	<p>(Optional) Specifies the IP address of the default router for a DHCP client.</p> <ul style="list-style-type: none"> • The IP address should be on the same subnet as the client. • One IP address is required; however, you can specify up to eight IP addresses in one command line. These default routers are listed in order of preference; that is, <i>address</i> is the most preferred router, <i>address2</i> is the next most preferred router, and so on. • When a DHCP client requests an IP address, the router--acting as a DHCP server--accesses the default router list to select another router that the DHCP client is to use as the first hop for forwarding messages. After a DHCP client has booted, the client begins sending packets to its default router.
<p>Step 14 <code>option code [instance number] {ascii string hex string ip-address}</code></p> <p>Example:</p> <pre>Router(dhcp-config)# option 19 hex 01</pre>	<p>(Optional) Configures DHCP server options.</p>

Command or Action	Purpose
<p>Step 15 <code>lease {days [hours [minutes]] infinite}</code></p> <p>Example:</p> <pre>Router(dhcp-config)# lease 30</pre>	<p>(Optional) Specifies the duration of the lease.</p> <ul style="list-style-type: none"> The default is a one-day lease. The infinite keyword specifies that the duration of the lease is unlimited.
<p>Step 16 <code>end</code></p> <p>Example:</p> <pre>Router(dhcp-config)# end</pre>	<p>Returns to global configuration mode.</p>

Configuring a DHCP Address Pool with Secondary Subnets

Perform this task to configure a DHCP address pool with secondary subnets.

For any DHCP pool, you can configure a primary subnet and any number of secondary subnets. Each subnet is a range of IP addresses that the router uses to allocate an IP address to a DHCP client. The DHCP server multiple subnet functionality enables a Cisco IOS DHCP server address pool to manage additional IP addresses by adding the addresses to a secondary subnet of an existing DHCP address pool (instead of using a separate address pool).

Configuring a secondary DHCP subnetwork places the router in DHCP pool secondary subnet configuration mode—identified by the `(config-dhcp-subnet-secondary)#` prompt—from which you can configure a default address list that is specific to the secondary subnet. You can also specify the utilization rate of the secondary subnet, which allows pools of IP addresses to dynamically increase or reduce in size depending on the address utilization level. This setting overrides the global utilization rate.

If the DHCP server selects an address pool that contains multiple subnets, the DHCP server allocates an IP address from the subnets as follows:

- When the DHCP server receives an address assignment request, it looks for a free address in the primary subnet.
- When the primary subnet is exhausted, the DHCP server automatically looks for a free address in any secondary subnets maintained by the DHCP server (even though the giaddr does not necessarily match the secondary subnet). The server inspects the subnets for address availability in the order in which the subnets were added to the pool.
- If the giaddr matches a secondary subnet in the pool, the DHCP server allocates an IP address from that secondary subnet (even if IP addresses are available in the primary subnet and irrespective of the order in which secondary subnets were added).

SUMMARY STEPS

1. **enable**
2. **configure terminal**
3. **ip dhcp pool** *name*
4. **utilization mark high** *percentage-number* [**log**]
5. **utilization mark low** *percentage-number* [**log**]
6. **network** *network-number* [*mask* | / *prefix-length*]
7. **domain-name** *domain*
8. **dns-server** *address* [*address2* ... *address8*]
9. **bootfile** *filename*
10. **next-server** *address* [*address2* ... *address8*]
11. **netbios-name-server** *address* [*address2* ... *address8*]
12. **netbios-node-type** *type*
13. **default-router** *address* [*address2* ... *address8*]
14. **option** *code* [*instance number*] { *ascii string* | *hex string* | *ip-address* }
15. **lease** { *days* [*hours*] [*minutes*] | **infinite** }
16. **network** *network-number* [{ *mask* | / *preix-length* } [**secondary**]]
17. **override default-router** *address* [*address2* ... *address8*]
18. **override utilization high** *percentage-numer*
19. **override utilization low** *percentage-number*
20. **end**

DETAILED STEPS

	Command or Action	Purpose
Step 1	enable Example: Router> enable	Enables privileged EXEC mode. <ul style="list-style-type: none"> • Enter your password if prompted.
Step 2	configure terminal Example: Router# configure terminal	Enters global configuration mode.
Step 3	ip dhcp pool <i>name</i> Example: Router(config)# ip dhcp pool 1	Creates a name for the DHCP server address pool and enters DHCP pool configuration mode.

Command or Action	Purpose
<p>Step 4 utilization mark high <i>percentage-number</i> [log]</p> <p>Example:</p> <pre>Router(dhcp-config)# utilization mark high 80 log</pre>	<p>(Optional) Configures the high utilization mark of the current address pool size.</p> <ul style="list-style-type: none"> The log keyword enables the logging of a system message. A system message will be generated for a DHCP pool when the pool utilization exceeds the configured high utilization threshold.
<p>Step 5 utilization mark low <i>percentage-number</i> [log]</p> <p>Example:</p> <pre>Router(dhcp-config)# utilization mark low 70 log</pre>	<p>(Optional) Configures the low utilization mark of the current address pool size.</p> <ul style="list-style-type: none"> The log keyword enables the logging of a system message. A system message will be generated for a DHCP pool when the pool utilization falls below the configured low utilization threshold.
<p>Step 6 network <i>network-number</i> [<i>mask</i> <i>/prefix-length</i>]</p> <p>Example:</p> <pre>Router(dhcp-config)# network 172.16.0.0 /16</pre>	<p>Specifies the subnet network number and mask of the DHCP address pool.</p>
<p>Step 7 domain-name <i>domain</i></p> <p>Example:</p> <pre>Router(dhcp-config)# domain-name cisco.com</pre>	<p>Specifies the domain name for the client.</p>
<p>Step 8 dns-server <i>address</i> [<i>address2</i> ... <i>address8</i>]</p> <p>Example:</p> <pre>Router(dhcp-config)# dns server 172.16.1.103 172.16.2.103</pre>	<p>Specifies the IP address of a DNS server that is available to a DHCP client.</p> <ul style="list-style-type: none"> One IP address is required; however, you can specify up to eight IP addresses in one command line. Servers should be listed in order of preference.
<p>Step 9 bootfile <i>filename</i></p> <p>Example:</p> <pre>Router(dhcp-config)# bootfile xllboot</pre>	<p>(Optional) Specifies the name of the default boot image for a DHCP client.</p> <ul style="list-style-type: none"> The boot file is used to store the boot image for the client. The boot image is generally the operating system the client uses to load.

Command or Action	Purpose
<p>Step 10 <code>next-server address [address2 ... address8]</code></p> <p>Example:</p> <pre>Router(dhcp-config)# next-server 172.17.1.103 172.17.2.103</pre>	<p>(Optional) Configures the next server in the boot process of a DHCP client.</p> <ul style="list-style-type: none"> • If multiple servers are specified, DHCP assigns them to clients in round-robin order. The first client gets address 1, the next client gets address 2, and so on. • If this command is not configured, DHCP uses the server specified by the ip helper address command as the boot server.
<p>Step 11 <code>netbios-name-server address [address2 ... address8]</code></p> <p>Example:</p> <pre>Router(dhcp-config)# netbios- name-server 172.16.1.103 172.16.2.103</pre>	<p>(Optional) Specifies the NetBIOS Windows Internet Naming Service (WINS) server that is available to a Microsoft DHCP client.</p> <ul style="list-style-type: none"> • One address is required; however, you can specify up to eight addresses in one command line. • Servers should be listed in order of preference.
<p>Step 12 <code>netbios-node-type type</code></p> <p>Example:</p> <pre>Router(dhcp-config)# netbios- node-type h-node</pre>	<p>(Optional) Specifies the NetBIOS node type for a Microsoft DHCP client.</p>
<p>Step 13 <code>default-router address [address2 ... address8]</code></p> <p>Example:</p> <pre>Router(dhcp-config)# default- router 172.16.1.100 172.16.1.101</pre>	<p>(Optional) Specifies the IP address of the default router for a DHCP client.</p> <ul style="list-style-type: none"> • The IP address should be on the same subnet as the client. • One IP address is required; however, you can specify a up to eight IP addresses in one command line. These default routers are listed in order of preference; that is, <i>address</i> is the most preferred router, <i>address2</i> is the next most preferred router, and so on. • When a DHCP client requests an IP address, the router--acting as a DHCP server--accesses the default router list to select another router that the DHCP client is to use as the first hop for forwarding messages. After a DHCP client has booted, the client begins sending packets to its default router.
<p>Step 14 <code>option code [instance number] {ascii string hex string ip-address}</code></p> <p>Example:</p> <pre>Router(dhcp-config)# option 19 hex 01</pre>	<p>(Optional) Configures DHCP server options.</p>

Command or Action	Purpose
<p>Step 15 <code>lease {days [hours] [minutes]} infinite }</code></p> <p>Example:</p> <pre>Router(dhcp-config)# lease 30</pre>	<p>(Optional) Specifies the duration of the lease.</p> <ul style="list-style-type: none"> The default is a one-day lease. The infinite keyword specifies that the duration of the lease is unlimited.
<p>Step 16 <code>network network-number [{mask /preix-length}] [secondary]</code></p> <p>Example:</p> <pre>Router(dhcp-config)# network 10.10.0.0 255.255.0.0 secondary</pre>	<p>(Optional) Specifies the network number and mask of a secondary DHCP server address pool.</p> <ul style="list-style-type: none"> Any number of secondary subnets can be added to the DHCP server address pool. During execution of this command, the configuration mode changes to DHCP pool secondary subnet configuration mode, which is identified by the (config-dhcp-subnet-secondary)# prompt. In this mode, the administrator can configure a default router list that is specific to the subnet. See "Troubleshooting Tips" if you are using secondary IP addresses under a loopback interface with DHCP secondary subnets.
<p>Step 17 <code>override default-router address [address2 ... address8]</code></p> <p>Example:</p> <pre>Router(config-dhcp-subnet-secondary)# override default-router 10.10.0.100 10.10.0.101</pre>	<p>(Optional) Specifies the default router list that is used when an IP address is assigned to a DHCP client from this secondary subnet.</p> <ul style="list-style-type: none"> If this subnet-specific override value is configured, it is used when assigning an IP address from the subnet; the network-wide default router list is used only to set the gateway router for the primary subnet. If this subnet-specific override value is not configured, the network-wide default router list is used when assigning an IP address from the subnet. See "Configuring a DHCP Address Pool with Multiple Disjoint Subnets Example" for an example configuration.
<p>Step 18 <code>override utilization high percentage-number</code></p> <p>Example:</p> <pre>Router(config-dhcp-subnet-secondary)# override utilization high 60</pre>	<p>(Optional) Sets the high utilization mark of the subnet size.</p> <ul style="list-style-type: none"> This command overrides the global default setting specified by the utilization mark high global configuration command.
<p>Step 19 <code>override utilization low percentage-number</code></p> <p>Example:</p> <pre>Router(config-dhcp-subnet-secondary)# override utilization low 40</pre>	<p>(Optional) Sets the low utilization mark of the subnet size.</p> <ul style="list-style-type: none"> This command overrides the global default setting specified by the utilization mark low global configuration command.

Command or Action	Purpose
Step 20 end Example: Router(config-dhcp-subnet-secondary)# end	Returns to privileged EXEC mode.

Troubleshooting Tips

If you are using secondary IP addresses under a single loopback interface and using secondary subnets under a DHCP pool, use one DHCP pool to configure networks for all the secondary subnets instead of one pool per secondary subnet. The **network** *network-number* [*{mask | /prefix-length}* [**secondary**]] command must be configured under a single DHCP address pool rather than multiple DHCP address pools.

The following is the correct configuration:

```
!
ip dhcp pool dhcp_1
 network 172.16.1.0 255.255.255.0
 network 172.16.2.0 255.255.255.0 secondary
 network 172.16.3.0 255.255.255.0 secondary
 network 172.16.4.0 255.255.255.0 secondary
!
interface Loopback111
 ip address 172.16.1.1 255.255.255.255 secondary
 ip address 172.16.2.1 255.255.255.255 secondary
 ip address 172.16.3.1 255.255.255.255 secondary
 ip address 172.16.4.1 255.255.255.255 secondary
```

The following is the incorrect configuration:

```
!
ip dhcp pool dhcp_1
 network 172.16.1.0 255.255.255.0
 lease 1 20 30
 accounting default
!
ip dhcp pool dhcp_2
 network 172.16.2.0 255.255.255.0
 lease 1 20 30
 accounting default
!
ip dhcp pool dhcp_3
 network 172.16.3.0 255.255.255.0
 lease 1 20 30
 accounting default
!
ip dhcp pool dhcp_4
 network 172.16.4.0 255.255.255.0
 lease 1 20 30
 accounting default
!
interface Loopback111
 ip address 172.16.1.1 255.255.255.255 secondary
 ip address 172.16.2.1 255.255.255.255 secondary
 ip address 172.16.3.1 255.255.255.255 secondary
 ip address 172.16.4.1 255.255.255.255 secondary
```

Verifying the DHCP Address Pool Configuration

Perform this task to verify the DHCP address pool configuration. These show commands need not be entered in any specific order.

SUMMARY STEPS

1. **enable**
2. **show ip dhcp pool** [*name*]
3. **show ip dhcp binding** [*address*]
4. **show ip dhcp conflict** [*address*]
5. **show ip dhcp database** [*url*]
6. **show ip dhcp server statistics** [*type-number*]

DETAILED STEPS

Command or Action	Purpose
<p>Step 1 enable</p> <p>Example:</p> <pre>Router> enable</pre>	<p>Enables privileged EXEC mode.</p> <ul style="list-style-type: none"> • Enter your password if prompted.
<p>Step 2 show ip dhcp pool [<i>name</i>]</p> <p>Example:</p> <pre>Router# show ip dhcp pool</pre>	<p>(Optional) Displays information about DHCP address pools.</p>
<p>Step 3 show ip dhcp binding [<i>address</i>]</p> <p>Example:</p> <pre>Router# show ip dhcp binding</pre>	<p>(Optional) Displays a list of all bindings created on a specific DHCP server.</p> <ul style="list-style-type: none"> • Use the show ip dhcp binding command to display the IP addresses that have already been assigned. Verify that the address pool has not been exhausted. If necessary, re-create the pool to create a larger pool of addresses. • Use the show ip dhcp binding command to display the lease expiration date and time of the IP address of the host.
<p>Step 4 show ip dhcp conflict [<i>address</i>]</p> <p>Example:</p> <pre>Router# show ip dhcp conflict</pre>	<p>(Optional) Displays a list of all address conflicts.</p>
<p>Step 5 show ip dhcp database [<i>url</i>]</p> <p>Example:</p> <pre>Router# show ip dhcp database</pre>	<p>(Optional) Displays recent activity on the DHCP database.</p>

Command or Action	Purpose
<p>Step 6 <code>show ip dhcp server statistics [type-number]</code></p> <p>Example:</p> <pre>Router# show ip dhcp server statistics</pre>	(Optional) Displays count information about server statistics and messages sent and received.

Configuring Manual Bindings

An address binding is a mapping between the IP address and MAC address of a client. The IP address of a client can be assigned manually by an administrator or assigned automatically from a pool by a DHCP server.

Manual bindings are IP addresses that have been manually mapped to the MAC addresses of hosts that are found in the DHCP database. Manual bindings are stored in NVRAM on the DHCP server. Manual bindings are just special address pools. There is no limit on the number of manual bindings, but you can configure only one manual binding per host pool.

Automatic bindings are IP addresses that have been automatically mapped to the MAC addresses of hosts that are found in the DHCP database. Because the bindings are stored in volatile memory on the DHCP server, binding information is lost in the event of a power failure or upon router reload for any other reason. To prevent the loss of automatic binding information in such an event, store a copy of the automatic binding information on a remote host called a DHCP database agent. The bindings are periodically written to the database agent. If the router reloads, the bindings are read back from the database agent to the DHCP database on the DHCP server.



Note

We strongly recommend using database agents. However, the Cisco IOS DHCP server can function without database agents.

Some DHCP clients send a client identifier (DHCP option 61) in the DHCP packet. To configure manual bindings for such clients, you must enter the **client-identifier** DHCP pool configuration command with the appropriate hexadecimal values identifying the DHCP client. To configure manual bindings for clients who do not send a client identifier option, you must enter the **hardware-address** DHCP pool configuration command with the appropriate hexadecimal hardware address of the client.

In Cisco IOS Release 12.4(22)T and later releases the DHCP server sends infinite lease time to the clients for which manual bindings are configured.

In Cisco IOS Release 15.1(1)S1 and later releases, the DHCP server sends lease time configured using the **lease** command to the clients for which manual bindings are configured.



Note

You cannot configure manual bindings within the same pool that is configured with the **network** command in DHCP pool configuration mode. See the "Configuring DHCP Address Pools" section for information about DHCP address pools and the **network** command.

SUMMARY STEPS

1. **enable**
2. **configure terminal**
3. **ip dhcp pool** *pool-name*
4. **host** *address* [*mask* | *prefix-length*]
5. **client-identifier** *unique-identifier*
6. **hardware-address** *hardware-address* [*protocol-type* | *hardware-number*]
7. **client-name** *name*

DETAILED STEPS

Command or Action	Purpose
Step 1 enable Example: Router> enable	Enables privileged EXEC mode. <ul style="list-style-type: none"> • Enter your password if prompted.
Step 2 configure terminal Example: Router# configure terminal	Enters global configuration mode.
Step 3 ip dhcp pool <i>pool-name</i> Example: Router(config)# ip dhcp pool pool1	Creates a name for the DHCP server address pool and places you in DHCP pool configuration mode.
Step 4 host <i>address</i> [<i>mask</i> <i>prefix-length</i>] Example: Router(dhcp-config)# host 172.16.0.1	Specifies the IP address and subnet mask of the client. <ul style="list-style-type: none"> • There is no limit on the number of manual bindings but you can configure only one manual binding per host pool.

Command or Action	Purpose
<p>Step 5 <code>client-identifier</code> <i>unique-identifier</i></p> <p>Example:</p> <pre>Router(dhcp-config)# client-identifier 01b7.0813.8811.66</pre>	<p>Specifies the unique identifier for DHCP clients.</p> <ul style="list-style-type: none"> This command is used for DHCP requests. DHCP clients require client identifiers. The unique identification of the client is specified in dotted hexadecimal notation; for example, 01b7.0813.8811.66, where 01 represents the Ethernet media type. See the "Troubleshooting Tips" section for information on how to determine the client identifier of the DHCP client. <p>Note The identifier specified here is considered for the DHCP clients who send a client identifier in the packet.</p>
<p>Step 6 <code>hardware-address</code> <i>hardware-address</i> [<i>protocol-type</i> <i>hardware-number</i>]</p> <p>Example:</p> <pre>Router(dhcp-config)# hardware-address b708.1388.f166 ethernet</pre>	<p>Specifies a hardware address for the client.</p> <ul style="list-style-type: none"> This command is used for BOOTP requests. <p>Note The hardware address specified here is considered for the DHCP clients who do not send a client identifier in the packet.</p>
<p>Step 7 <code>client-name</code> <i>name</i></p> <p>Example:</p> <pre>Router(dhcp-config)# client-name client1</pre>	<p>(Optional) Specifies the name of the client using any standard ASCII character.</p> <ul style="list-style-type: none"> The client name should not include the domain name. For example, the name client1 should not be specified as client1.cisco.com.

- [Troubleshooting Tips, page 29](#)

Troubleshooting Tips

You can determine the client identifier by using the **debug ip dhcp server packet** command. In the following example, the client is identified by the value 0b07.1134.a029:

```
Router# debug ip dhcp server packet

DHCPD:DHCPDISCOVER received from client 0b07.1134.a029 through relay 10.1.0.253.
DHCPD:assigned IP address 10.1.0.3 to client 0b07.1134.a029.
.
.
.
```

Configuring DHCP Static Mapping

The DHCP--Static Mapping feature enables assignment of static IP addresses without creating numerous host pools with manual bindings by using a customer-created text file that the DHCP server reads. The benefit of this feature is that it eliminates the need for a long configuration file and reduces the space required in NVRAM to maintain address pools.

This section contains the following task:

A DHCP database contains the mappings between a client IP address and hardware address, referred to as a binding. There are two types of bindings: manual bindings that map a single hardware address to a single IP

address, and automatic bindings that dynamically map a hardware address to an IP address from a pool of IP addresses. Manual (also known as static) bindings can be configured individually directly on the router or, by using the DHCP--Static Mapping feature, these static bindings can be read from a separate static mapping text file. The static mapping text files are read when a router reloads or the DHCP service restarts. These files are read-only.

The read static bindings are treated just like the manual bindings, in that they are:

- Retained across DHCPRELEASEs from the clients.
- Not timed out.
- Deleted only upon deletion of the pool.
- Provided appropriate exclusions for the contained addresses, which are created at the time of the read.

Just like automatic bindings and manual bindings, the static bindings from the static mapping text file are also displayed by using the **show ip dhcp binding** command.

Perform this task to create the static mapping text file. You will input your addresses in the text file, which is stored in the DHCP database for the DHCP server to read. There is no limit on the number of addresses in the file. The file format has the following elements:

- Time the file was created
- Database version number
- IP address
- Hardware type
- Hardware address
- Lease expiration
- End-of-file designator

See the table below for more details about the format of the text file.

The following is a sample static mapping text file:

```
*time* Jan 21 2005 03:52 PM
*version* 2
!IP address      Type      Hardware address      Lease expiration
10.0.0.4 /24     1         0090.bff6.081e        Infinite
10.0.0.5 /28     id        00b7.0813.88f1.66     Infinite
10.0.0.2 /21     1         0090.bff6.081d        Infinite
*end*
```

Table 3 **Static Mapping Text File Field Descriptions**

Field	Description
time	Specifies the time the file was created. This field allows DHCP to differentiate between newer and older database versions when multiple agents are configured. The valid format of the time is Mm dd yyyy hh:mm AM/PM.
version 2	Database version number.
IP address	Static IP address. If the subnet mask is not specified, a natural mask is assumed depending on the IP address. There must be a space between the IP address and mask.

Field	Description
Type	Specifies the hardware type. For example, type “1” indicates Ethernet. The type “id” indicates that the field is a DHCP client identifier. Legal values can be found online at http://www.iana.org/assignments/arp-parameters in the “Number Hardware Type” list.
Hardware address	<p>Specifies the hardware address.</p> <p>When the type is numeric, it refers to the hardware media. Legal values can be found online at http://www.iana.org/assignments/arp-parameters in the “Number Hardware Type” list.</p> <p>When the type is “id,” this means that we are matching on the client identifier.</p> <p>For more information about the client identifier, please see RFC 2132, <i>DHCP Options and BOOTP Vendor Extensions</i>, section 9.14, located at http://www.ietf.org/rfc/rfc2132.txt, or the client-identifier command reference page. .</p> <p>If you are unsure what client identifier to match on, use the debug dhcp detail command to display the client identifier being sent to the DHCP server from the client.</p>
Lease expiration	Specifies the expiration of the lease. “Infinite” specifies that the duration of the lease is unlimited.
end	End of file. DHCP uses the *end* designator to detect file truncation.

- [Configuring the DHCP Server to Read a Static Mapping Text File, page 31](#)

Configuring the DHCP Server to Read a Static Mapping Text File

Perform this task to configure the DHCP server to read the static mapping text file.

The administrator should create the static mapping text file in the correct format and configure the address pools before performing this task.

Before editing the file, you must disable the DHCP server using the **no service dhcp** command.



Note

The static bindings must not be deleted when a DHCPRELEASE is received or must not be timed out by the DHCP timer. The static bindings should be treated just like manual bindings created by using the **ip dhcp pool** command.

SUMMARY STEPS

1. **enable**
2. **configure terminal**
3. **ip dhcp pool** *name*
4. **origin file** *url*
5. **end**
6. **show ip dhcp binding** [*address*]

DETAILED STEPS

Command or Action	Purpose
Step 1 enable Example: <pre>Router> enable</pre>	Enables privileged EXEC mode. <ul style="list-style-type: none"> • Enter your password if prompted.
Step 2 configure terminal Example: <pre>Router# configure terminal</pre>	Enters global configuration mode.
Step 3 ip dhcp pool <i>name</i> Example: <pre>Router(config)# ip dhcp pool pool1</pre>	Assigns a name to a DHCP pool and enters DHCP configuration mode. Note If you have already configured the IP DHCP pool name using the ip dhcp pool command and the static file URL using the origin file command, you must perform a fresh read using the no service dhcp command and service dhcp command.
Step 4 origin file <i>url</i> Example: <pre>Router(dhcp-config)# origin file tftp://10.1.0.1/static-bindings</pre>	Specifies the URL from which the DHCP server can locate the text file.
Step 5 end Example: <pre>Router(dhcp-config)# end</pre>	Returns to privileged EXEC mode.

Command or Action	Purpose
Step 6 <code>show ip dhcp binding [address]</code> Example: Router# <code>show ip dhcp binding</code>	(Optional) Displays a list of all bindings created on a specific DHCP server.

Examples

The following example shows the address bindings that have been configured:

```
Router# show ip dhcp binding
00:05:14:%SYS-5-CONFIG_I: Configured from console by console
Bindings from all pools not associated with VRF:
IP address Client-ID/      Ls expir  Type   Hw address           User name
10.9.9.4/8  0063.7363.2d30.3036.  Infinite Static  302e.3762.2e39.3634.  632d.4574.8892.
10.9.9.1/24 0063.6973.636f.2d30.  Infinite Static  3036.302e.3437.3165.  2e64.6462.342d.
```

The following sample shows each entry in the static mapping text file:

```
*time* Jan 21 2005 22:52 PM
!IP address      Type      Hardware address           Lease expiration
10.19.9.1 /24    id        0063.6973.636f.2d30.3036.302e.3437
10.9.9.4         id        0063.7363.2d30.3036.302e.3762.2e39.3634.632d  Infinite
*end*
```

The following sample debug output shows the reading of the static mapping text file from the TFTP server:

```
Router# debug ip dhcp server
Loading abc/static_pool from 10.19.192.33 (via Ethernet0):
[OK - 333 bytes]
*May 26 23:14:21.259: DHCPD: contacting agent tftp://10.19.192.33/abc/static_pool
(attempt 0)
*May 26 23:14:21.467: DHCPD: agent tftp://10.19.192.33/abc/static_pool is responding.
*May 26 23:14:21.467: DHCPD: IFS is ready.
*May 26 23:14:21.467: DHCPD: reading bindings from                               tftp://
10.19.192.33/abc/static_pool.
*May 26 23:14:21.707: DHCPD: read 333 / 1024 bytes.
*May 26 23:14:21.707: DHCPD: parsing text line
*time* Apr 22 2002 11:31 AM
*May 26 23:14:21.707: DHCPD: parsing text line ""
*May 26 23:14:21.707: DHCPD: parsing text line
!IP address Type Hardware address Lease expiration
*May 26 23:14:21.707: DHCPD: parsing text line
"10.9.9.1 /24 id 0063.6973.636f.2d30.3036.302e.3437"
*May 26 23:14:21.707: DHCPD: creating binding for 10.9.9.1
*May 26 23:14:21.707: DHCPD: Adding binding to radix tree (10.9.9.1)
*May 26 23:14:21.707: DHCPD: Adding binding to hash tree
*May 26 23:14:21.707: DHCPD: parsing text line
"10.9.9.4 id 0063.7363.2d30.3036.302e.3762.2e39.3634.632d"
*May 26 23:14:21.711: DHCPD: creating binding for 10.9.9.4
*May 26 23:14:21.711: DHCPD: Adding binding to radix tree (10.9.9.4)
*May 26 23:14:21.711: DHCPD: Adding binding to hash tree
*May 26 23:14:21.711: DHCPD: parsing text line "Infinite"
*May 26 23:14:21.711: DHCPD: parsing text line ""
*May 26 23:14:21.711: DHCPD: parsing text line
!IP address Interface-index Lease expiration VRF
*May 26 23:14:21.711: DHCPD: parsing text line "**end*"
*May 26 23:14:21.711: DHCPD: read static bindings from tftp://10.19.192.33/abcemp/
static_pool.
```


Customizing DHCP Server Operation

By default, the DHCP server pings a pool address twice before assigning a particular address to a requesting client. If the ping is unanswered, the DHCP server assumes (with a high probability) that the address is not in use and assigns the address to the requesting client.

By default, the DHCP server waits 2 seconds before timing out a ping packet.

You can configure the DHCP server to ignore and not reply to received Bootstrap Protocol (BOOTP) requests. This functionality is beneficial when there is a mix of BOOTP and DHCP clients in a network segment and there is a BOOTP server and a Cisco IOS DHCP server servicing the network segment. The BOOTP server is configured with static bindings for the BOOTP clients and the BOOTP clients are intended to obtain their addresses from the BOOTP server. However, because a DHCP server can also respond to a BOOTP request, an address offer may be made by the DHCP server causing the BOOTP clients to boot with the address from the DHCP server, instead of the address from the BOOTP server. Configuring the DHCP server to ignore BOOTP requests means that the BOOTP clients will receive address information from the BOOTP server and will not inadvertently accept an address from a DHCP server.

The Cisco IOS software can forward these ignored BOOTP request packets to another DHCP server if the **ip helper-address** interface configuration command is configured on the incoming interface.

SUMMARY STEPS

1. **enable**
2. **configure terminal**
3. **ip dhcp ping packets** *number*
4. **ip dhcp ping timeout** *milliseconds*
5. **ip dhcp bootp ignore**

DETAILED STEPS

	Command or Action	Purpose
Step 1	enable Example: Router> enable	Enables privileged EXEC mode. <ul style="list-style-type: none"> • Enter your password if prompted.
Step 2	configure terminal Example: Router# configure terminal	Enters global configuration mode.

Command or Action	Purpose
<p>Step 3 <code>ip dhcp ping packets</code> <i>number</i></p> <p>Example:</p> <pre>Router(config)# ip dhcp ping packets 5</pre>	<p>(Optional) Specifies the number of ping packets the DHCP server sends to a pool address before assigning the address to a requesting client.</p> <ul style="list-style-type: none"> The default is two packets. Setting the <i>number</i> argument to a value of 0 disables the DHCP server ping operation completely.
<p>Step 4 <code>ip dhcp ping timeout</code> <i>milliseconds</i></p> <p>Example:</p> <pre>Router(config)# ip dhcp ping timeout 850</pre>	<p>(Optional) Specifies the amount of time the DHCP server waits for a ping reply from an address pool.</p>
<p>Step 5 <code>ip dhcp bootp ignore</code></p> <p>Example:</p> <pre>Router(config)# ip dhcp bootp ignore</pre>	<p>(Optional) Allows the DHCP server to selectively ignore and not reply to received BOOTP requests.</p> <ul style="list-style-type: none"> The <code>ip dhcp bootp ignore</code> command applies to all DHCP pools configured on the router. BOOTP requests cannot be selectively ignored on a per-DHCP pool basis.

Configuring a Remote Router to Import DHCP Server Options from a Central DHCP Server

The Cisco IOS DHCP server can dynamically configure options such as the DNS and WINS addresses to respond to DHCP requests from local clients behind the customer premises equipment (CPE). Previously, network administrators needed to manually configure the Cisco IOS DHCP server on each device. The Cisco IOS DHCP server was enhanced to allow configuration information to be updated automatically. Network administrators can configure one or more centralized DHCP servers to update specific DHCP options within the DHCP pools. The remote servers can request or “import” these option parameters from the centralized servers.

This section contains the following tasks:

- [Configuring the Central DHCP Server to Update DHCP Options, page 35](#)
- [Configuring the Remote Router to Import DHCP Options, page 36](#)

Configuring the Central DHCP Server to Update DHCP Options

Perform this task to configure the central DHCP server to update DHCP options.

SUMMARY STEPS

1. **enable**
2. **configure terminal**
3. **ip dhcp pool** *name*
4. **network** *network-number* [*mask* | / *prefix-length*]
5. **dns-server** *address* [*address2* ... *address8*]

DETAILED STEPS

Command or Action	Purpose
Step 1 enable Example: Router> enable	Enables privileged EXEC mode. <ul style="list-style-type: none"> • Enter your password if prompted.
Step 2 configure terminal Example: Router# configure terminal	Enters global configuration mode.
Step 3 ip dhcp pool <i>name</i> Example: Router(config)# ip dhcp pool 1	Creates a name for the DHCP server address pool and enters DHCP pool configuration mode.
Step 4 network <i>network-number</i> [<i>mask</i> / <i>prefix-length</i>] Example: Router(dhcp-config)# network 172.16.0.0 /16	Specifies the subnet network number and mask of the DHCP address pool.
Step 5 dns-server <i>address</i> [<i>address2</i> ... <i>address8</i>] Example: Router(dhcp-config)# dns server 172.16.1.103 172.16.2.103	(Optional) Specifies the IP address of a DNS server that is available to a DHCP client. <ul style="list-style-type: none"> • One IP address is required; however, you can specify up to eight IP addresses in one command line. • Servers should be listed in order of preference.

Configuring the Remote Router to Import DHCP Options

Perform this task to configure the remote router to import DHCP options from a central DHCP server.

SUMMARY STEPS

1. **enable**
2. **configure terminal**
3. **ip dhcp pool** *pool-name*
4. **network** *network-number* [*mask* | / *prefix-length*]
5. **import all**
6. **exit**
7. **interface** *type number*
8. **ip address dhcp**
9. **end**
10. **show ip dhcp import**

DETAILED STEPS

	Command or Action	Purpose
Step 1	enable Example: Router> enable	Enables privileged EXEC mode. <ul style="list-style-type: none"> • Enter your password if prompted.
Step 2	configure terminal Example: Router# configure terminal	Enters global configuration mode.
Step 3	ip dhcp pool <i>pool-name</i> Example: Router(config)# ip dhcp pool pool1	Creates a name for the DHCP server address pool and enters DHCP pool configuration mode.
Step 4	network <i>network-number</i> [<i>mask</i> / <i>prefix-length</i>] Example: Router(dhcp-config)# network 172.30.0.0 /16	Specifies the subnet network number and mask of the DHCP address pool.
Step 5	import all Example: Router(dhcp-config)# import all	Imports DHCP option parameters into the DHCP server database.

	Command or Action	Purpose
Step 6	exit Example: Router(dhcp-config)# exit	Exits DHCP pool configuration mode.
Step 7	interface <i>type number</i> Example: Router(config)# interface FastEthernet 0/0	Configures an interface and enters interface configuration mode.
Step 8	ip address dhcp Example: Router(config-if)# ip address dhcp	Specifies that the interface acquires an IP address through DHCP.
Step 9	end Example: Router(config-if)# end	Returns to privileged EXEC mode.
Step 10	show ip dhcp import Example: Router# show ip dhcp import	Displays the options that have been imported from the central DHCP server.

Configuring DHCP Address Allocation Using Option 82

- [DHCP Address Allocation Using Option 82 Feature Design, page 38](#)
- [Enabling Option 82 for DHCP Address Allocation, page 39](#)
- [Troubleshooting Tips, page 40](#)
- [Defining the DHCP Class and Relay Agent Information Patterns, page 40](#)
- [Troubleshooting Tips, page 41](#)
- [Defining the DHCP Address Pool, page 41](#)

DHCP Address Allocation Using Option 82 Feature Design

DHCP provides a framework for passing configuration information to hosts on a TCP/IP network. Configuration parameters and other control information are carried in tagged data items that are stored in the options field of the DHCP message. The data items themselves are also called options. Option 82 is organized as a single DHCP option that contains information known by the relay agent.

This feature is designed to allow the Cisco IOS DHCP server to use option 82 information to help determine which IP addresses to allocate to clients. The information sent via option 82 will be used to identify which port the DHCP request came in on. This feature does not parse out the individual suboptions contained within option 82. Rather, the address allocation is done by matching a configured pattern byte by byte.

The feature introduces a new DHCP class capability, which is a method to group DHCP clients based on some shared characteristics other than the subnet in which the clients reside.

In an example application, DHCP clients are connected to two ports of a single switch. Each port can be configured to be part of two VLANs: VLAN1 and VLAN2. DHCP clients belong to either VLAN1 or VLAN2 and it is assumed that the switch can differentiate the VLAN that a particular DHCP Discover message belongs to (possibly through Layer 2 encapsulation). Each VLAN has its own subnet and all DHCP messages from the same VLAN (same switch) will have the giaddr field set to the same value indicating the subnet of the VLAN.

The problem is that for a DHCP client connecting to port 1 of VLAN1, it must be allocated an IP address from one range within the VLAN's subnet, whereas a DHCP client connecting to port 2 of VLAN1 must be allocated an IP address from another range. Both these two IP address ranges are part of the same subnet (and have the same subnet mask). In the normal DHCP address allocation, the DHCP server will look only at the giaddr field and thus will not be able to differentiate between the two ranges.

To solve this problem, a relay agent residing at the switch inserts the relay information option (option 82), which carries information specific to the port, and the DHCP server must inspect both the giaddr field and the inserted option 82 during the address selection process.

The Cisco IOS software will look up a pool based on IP address (giaddr or incoming interface IP address) and then match the request to a class or classes configured in the pool in the order the classes are specified in the DHCP pool configuration.

When a DHCP address pool has been configured with one or more DHCP classes, the pool becomes a restricted access pool, which means that no addresses will be allocated from the pool unless one or more of the classes in the pool is matched. This design allows DHCP classes to be used for either access control (no default class is configured on the pool) or to provide further address range partitions with the subnet of the pool.

Multiple pools can be configured with the same class, eliminating the need to configure the same pattern in multiple pools.

The following capabilities are supported for DHCP class-based address allocation:

- Specifying the full relay agent information option value as a raw hexadecimal string by using the **relay-information hex** command in the new relay agent information configuration mode.
- Support for bitmasking the raw relay information hexadecimal value.
- Support for a wildcard at the end of the hexadecimal string specified by the **relay-information hex** command.

If the relay agent inserts option 82 but does not set the giaddr field in the DHCP packet, the DHCP server interface must be configured as a trusted interface by using the **ip dhcp relay information trusted** global configuration command. This configuration prevents the server from dropping the DHCP message.

Enabling Option 82 for DHCP Address Allocation

By default, the Cisco IOS DHCP server can use information provided by option 82 to allocate IP addresses. To reenble this capability if it has been disabled, perform the task described in this section.

SUMMARY STEPS

1. **enable**
2. **configure terminal**
3. **ip dhcp use class**

DETAILED STEPS

Command or Action	Purpose
Step 1 enable Example: <pre>Router> enable</pre>	Enables privileged EXEC mode. <ul style="list-style-type: none"> • Enter your password if prompted.
Step 2 configure terminal Example: <pre>Router# configure terminal</pre>	Enters global configuration mode.
Step 3 ip dhcp use class Example: <pre>Router(config)# ip dhcp use class</pre>	Controls whether DHCP classes are used for address allocation. <ul style="list-style-type: none"> • This functionality is enabled by default. • Use the no form of this command to disable this functionality without deleting the DHCP class configuration.

Troubleshooting Tips

If DHCP classes are configured in the pool, but the DHCP server does not make use of the classes, verify if the **no ip dhcp use class** command was configured.

Defining the DHCP Class and Relay Agent Information Patterns

Perform this task to define the DHCP class and relay agent information patterns.

You must know the hexadecimal value of each byte location in option 82 to be able to configure the **relay-information hex** command. The option 82 format may vary from product to product. Contact the relay agent vendor for this information.

SUMMARY STEPS

1. **enable**
2. **configure terminal**
3. **ip dhcp class** *class-name*
4. **relay agent information**
5. **relay-information hex** *pattern* [*] [**bitmask** *mask*]
6. Repeat Steps 3 through 5 for each DHCP class you need to configure.

DETAILED STEPS

Command or Action	Purpose
<p>Step 1 <code>enable</code></p> <p>Example:</p> <pre>Router> enable</pre>	<p>Enables privileged EXEC mode.</p> <ul style="list-style-type: none"> Enter your password if prompted.
<p>Step 2 <code>configure terminal</code></p> <p>Example:</p> <pre>Router# configure terminal</pre>	<p>Enters global configuration mode.</p>
<p>Step 3 <code>ip dhcp class class-name</code></p> <p>Example:</p> <pre>Router(config)# ip dhcp class CLASS1</pre>	<p>Defines a DHCP class and enters DHCP class configuration mode.</p>
<p>Step 4 <code>relay agent information</code></p> <p>Example:</p> <pre>Router(dhcp-class)# relay agent information</pre>	<p>Enters relay agent information option configuration mode.</p> <ul style="list-style-type: none"> If this step is omitted, then the DHCP class matches to any relay agent information option, whether it is present or not.
<p>Step 5 <code>relay-information hex pattern [*] [bitmask mask]</code></p> <p>Example:</p> <pre>Router(dhcp-class-relayinfo)# relay-information hex 01030a0b0c02050000000123</pre>	<p>(Optional) Specifies a hexadecimal value for the full relay information option.</p> <ul style="list-style-type: none"> The <i>pattern</i> argument creates a pattern that is used to match to the DHCP class. If you omit this step, no pattern is configured and it is considered a match to any relay agent information option value, but the relay information option must be present in the DHCP packet. You can configure multiple relay-information hex commands in a DHCP class.
<p>Step 6 Repeat Steps 3 through 5 for each DHCP class you need to configure.</p>	<p>--</p>

Troubleshooting Tips

Use the `debug ip dhcp server class` command to display the class matching results.

Defining the DHCP Address Pool

Perform this task to define the DHCP address pool.

SUMMARY STEPS

1. **enable**
2. **configure terminal**
3. **ip dhcp pool** *name*
4. **network** *network-number* [*mask* | / *prefix-length*]
5. **class** *class-name*
6. **address range** *start-ip end-ip*
7. Repeat Steps 5 and 6 for each DHCP class you need to associate to the DHCP pool.

DETAILED STEPS

Command or Action	Purpose
Step 1 enable Example: Router> enable	Enables privileged EXEC mode. <ul style="list-style-type: none"> • Enter your password if prompted.
Step 2 configure terminal Example: Router# configure terminal	Enters global configuration mode.
Step 3 ip dhcp pool <i>name</i> Example: Router# ip dhcp pool ABC	Configures a DHCP address pool on a Cisco IOS DHCP server and enters DHCP pool configuration mode. <ul style="list-style-type: none"> • Multiple pools can be configured with the same class, eliminating the need to configure the same pattern in multiple pools.
Step 4 network <i>network-number</i> [<i>mask</i> / <i>prefix-length</i>] Example: Router(dhcp-config)# network 10.0.20.0	Configures the subnet number and mask for a DHCP address pool on a Cisco IOS DHCP server.
Step 5 class <i>class-name</i> Example: Router(dhcp-config)# class CLASS1	Associates a class with a pool and enters DHCP pool class configuration mode. <ul style="list-style-type: none"> • This command will also create a DHCP class if the DHCP class is not yet defined.

Command or Action	Purpose
<p>Step 6 <code>address range start-ip end-ip</code></p> <p>Example:</p> <pre>Router(dhcp-pool-class)# address range 10.0.20.1 10.0.20.100</pre>	<p>(Optional) Sets an address range for a DHCP class in a DHCP server address pool.</p> <ul style="list-style-type: none"> If this command is not configured for a class, the default value is the entire subnet of the pool.
<p>Step 7 Repeat Steps 5 and 6 for each DHCP class you need to associate to the DHCP pool.</p>	<p>Each class in the DHCP pool will be examined for a match in the order configured.</p>

Configuring a Static Route with the Next Hop Dynamically Obtained Through DHCP

Perform this task to configure a static route to use a DHCP default gateway as the next-hop router.

This task enables static routes to be assigned using a DHCP default gateway as the next-hop router. This behavior was not possible before the introduction of this feature because the gateway IP address is not known until after the DHCP address assignment. A static route could not be configured with the command-line interface (CLI) that used that DHCP-supplied address.

The static routes are installed in the routing table when the default gateway is assigned by the DHCP server. The routes remain in the routing table until the DHCP lease expires, at which time the routes are removed.

When a DHCP client releases an address, the corresponding static route (the route configured with the **ip route** command) is automatically removed from the routing table. If the DHCP router option (option 3 of the DHCP packet) changes during the client renewal, the DHCP default gateway changes to the new IP address supplied in the renewal.

This feature is particularly useful for VPN deployments such as Dynamic Multipoint VPNs (DMVPNs). This feature is useful when a nonphysical interface like a multipoint generic routing encapsulation (mGRE) tunnel is configured on the router and certain traffic needs to be excluded from going to the tunnel interface.

Verify all DHCP client and server configuration steps. Ensure that the DHCP client and server are properly defined to supply a DHCP router option 3 of the DHCP packet.



Note

- If the DHCP client is not able to obtain an IP address or default router IP address, the static route is not installed in the routing table.
- If the lease has expired and the DHCP client cannot renew the address, the DHCP IP address assigned to the client is released and any associated static routes are removed from the routing table.

SUMMARY STEPS

1. **enable**
2. **configure terminal**
3. **ip route** *prefix mask {ip-address | interface-type interface-number [ip-address]}* **dhcp** [*distance*]
4. **end**
5. **show ip route**

DETAILED STEPS

Command or Action	Purpose
<p>Step 1 enable</p> <p>Example:</p> <pre>Router> enable</pre>	<p>Enables privileged EXEC mode.</p> <ul style="list-style-type: none"> • Enter your password if prompted.
<p>Step 2 configure terminal</p> <p>Example:</p> <pre>Router# configure terminal</pre>	<p>Enters global configuration mode.</p>
<p>Step 3 ip route <i>prefix mask {ip-address interface-type interface-number [ip-address]}</i> dhcp [<i>distance</i>]</p> <p>Example:</p> <pre>Router(config)# ip route 209.165.200.225 255.255.255.255 dhcp</pre>	<p>Assigns a static route for the default next-hop router when the DHCP server is accessed for an IP address.</p> <ul style="list-style-type: none"> • If more than one interface on a router is configured to obtain an IP address from a DHCP server, use the ip route <i>prefix mask interface-type interface-number dhcp</i> command for each interface. If the interface is not specified, the route is added to the routing table as soon as any of the interfaces obtain an IP address and default router.
<p>Step 4 end</p> <p>Example:</p> <pre>Router(config)# end</pre>	<p>Returns to privileged Exec mode.</p>
<p>Step 5 show ip route</p> <p>Example:</p> <pre>Router# show ip route</pre>	<p>(Optional) Displays the current state of the routing table.</p> <ul style="list-style-type: none"> • Use this command to display assigned static routes once the DHCP client obtains an address and a default router address from the DHCP server.

Clearing DHCP Server Variables

Perform this task to clear DHCP server variables.

SUMMARY STEPS

1. enable
2. clear ip dhcp binding {address | *}
3. clear ip dhcp conflict {address | *}
4. clear ip dhcp server statistics

DETAILED STEPS

Command or Action	Purpose
Step 1 enable Example: Router> enable	Enables privileged EXEC mode. <ul style="list-style-type: none"> • Enter your password if prompted.
Step 2 clear ip dhcp binding {address *} Example: Router# clear ip dhcp binding *	Deletes an automatic address binding from the DHCP database. <ul style="list-style-type: none"> • Specifying the <i>address</i> argument clears the automatic binding for a specific (client) IP address, whereas specifying an asterisk (*) clears all automatic bindings.
Step 3 clear ip dhcp conflict {address *} Example: Router# clear ip dhcp conflict 172.16.1.103	Clears an address conflict from the DHCP database. <ul style="list-style-type: none"> • Specifying the <i>address</i> argument clears the conflict for a specific IP address, whereas specifying an asterisk (*) clears conflicts for all addresses.
Step 4 clear ip dhcp server statistics Example: Router# clear ip dhcp server statistics	Resets all DHCP server counters to 0.

Configuration Examples for the Cisco IOS DHCP Server

- [Configuring the DHCP Database Agent Example, page 46](#)
- [Excluding IP Addresses Example, page 46](#)
- [Configuring DHCP Address Pools Example, page 46](#)
- [Configuring a DHCP Address Pool with Multiple Disjoint Subnets Example, page 47](#)
- [Configuring Manual Bindings Example, page 48](#)
- [Configuring Static Mapping Example, page 49](#)
- [Configuring the Option to Ignore all BOOTP Requests Example, page 49](#)
- [Importing DHCP Options Example, page 50](#)

- [Configuring DHCP Address Allocation Using Option 82 Example, page 51](#)
- [Configuring a Static Route with the Next-Hop Dynamically Obtained Through DHCP Example, page 52](#)

Configuring the DHCP Database Agent Example

The following example shows how to store bindings on host 172.16.4.253. The file transfer protocol is FTP. The server should wait 2 minutes (120 seconds) before writing database changes.

```
ip dhcp database ftp://user:password@172.16.4.253/router-dhcp write-delay 120
```

Excluding IP Addresses Example

In the following example, server A and server B service the subnet 10.0.20.0/24. Splitting the subnet equally between the two servers, server A is configured to allocate IP addresses 10.0.20.1 to 10.0.20.125 and server B is configured to allocate IP addresses 10.0.20.126 to 10.0.20.254.

Server A

```
ip dhcp excluded-address 10.0.20.126 10.0.20.255
!
ip dhcp pool A
 network 10.0.20.0 255.255.255.0
```

Server B

```
ip dhcp excluded-address 10.0.20.0 10.0.20.125
!
ip dhcp pool B
 network 10.0.20.0 255.255.255.0
```

Configuring DHCP Address Pools Example

In the following example, three DHCP address pools are created: one in network 172.16.0.0, one in subnetwork 172.16.1.0, and one in subnetwork 172.16.2.0. Attributes from network 172.16.0.0--such as the domain name, DNS server, NetBIOS name server, and NetBIOS node type--are inherited in subnetworks 172.16.1.0 and 172.16.2.0. In each pool, clients are granted 30-day leases and all addresses in each subnetwork, except the excluded addresses, are available to the DHCP server for assigning to clients. The table below lists the IP addresses for the devices in three DHCP address pools.

Table 4 DHCP Address Pool Configuration Example

Pool 0 (Network 172.16.0.0)	Pool 1 (Subnetwork 172.16.1.0)	Pool 2 (Subnetwork 172.16.2.0)			
Device	IP Address	Device	IP Address	Device	IP Address
Default routers	-	Default routers	172.16.1.100	Default routers	172.16.2.100
			172.16.1.101		172.16.2.101

Pool 0 (Network 172.16.0.0)	Pool 1 (Subnetwork 172.16.1.0)	Pool 2 (Subnetwork 172.16.2.0)			
DNS server	172.16.1.102 172.16.2.102	--	--	--	--
NetBIOS name server	172.16.1.103 172.16.2.103	--	--	--	--
NetBIOS node type	h-node	--	--	--	--

```

ip dhcp database ftp://user:password@172.16.4.253/router-dhcp write-delay 120
ip dhcp excluded-address 172.16.1.100 172.16.1.103
ip dhcp excluded-address 172.16.2.100 172.16.2.103
!
ip dhcp pool 0
 network 172.16.0.0 /16
 domain-name cisco.com
 dns-server 172.16.1.102 172.16.2.102
 netbios-name-server 172.16.1.103 172.16.2.103
 netbios-node-type h-node
!
ip dhcp pool 1
 network 172.16.1.0 /24
 default-router 172.16.1.100 172.16.1.101
 lease 30
!
ip dhcp pool 2
 network 172.16.2.0 /24
 default-router 172.16.2.100 172.16.2.101
 lease 30

```

Configuring a DHCP Address Pool with Multiple Disjoint Subnets Example

Multiple disjoint subnets in a DHCP pool can be used in any of the following network topologies:

- IP address pooling--The DHCP client and server reside on the same subnet.
- DHCP relay--The DHCP client and DHCP server communicate through a DHCP relay agent where the relay interface is configured with secondary IP addresses.
- Hierarchical DHCP--The DHCP server is configured as the DHCP subnet allocation server, and the DHCP client and DHCP subnet allocation server communicate through an on-demand address pool (ODAP) router.

In the following example, one DHCP address pool named pool3 is created; the primary subnet is 172.16.0.0/16, one secondary subnet is 172.16.1.0/24, and another secondary subnet is 172.16.2.0/24.

- When the IP addresses in the primary subnet are exhausted, the DHCP server inspects the secondary subnets in the order in which the subnets were added to the pool.
- When the DHCP server allocates an IP address from the secondary subnet 172.16.1.0/24, the server uses the subnet-specific default router list that consists of IP addresses 172.16.1.100 and 172.16.1.101. When the DHCP server allocates an IP address from the subnet 172.16.2.0/24, however, the server uses the pool-wide list that consists of the four IP addresses from 172.16.0.100 to 172.16.0.103.
- Other attributes from the primary subnet 172.16.0.0/16--such as the domain name, DNS server, NetBIOS name server, and NetBIOS node type--are inherited in both of the secondary subnets.
- DHCP clients are granted 30-day leases on IP addresses in the pool. All addresses in each subnet, except the excluded addresses, are available to the DHCP server for assigning to clients.

The table below lists the IP addresses for the devices in the DHCP address pool that consists of three disjoint subnets.

Table 5 *DHCP Address Pool Configuration with Multiple Disjoint Subnets Example*

Primary Subnet (172.16.0.0/16)	First Secondary Subnet (172.16.1.0/24)	Second Secondary Subnet (172.16.2.0/24)			
Device	IP Address	Device	IP Address	Device	IP Address
Default routers	172.16.0.100	Default routers	172.16.1.100	Default routers	172.16.0.100
	172.16.0.101		172.16.1.101		172.16.0.101
	172.16.0.102				172.16.0.102
	172.16.0.103				172.16.0.103
DNS server	172.16.1.102	--	--	--	--
	172.16.2.102				
NetBIOS name server	172.16.1.103	--	--	--	--
	172.16.2.103				
NetBIOS node type	h-node	--	--	--	--

```
ip dhcp database ftp://user:password@172.16.4.253/router-dhcp write-delay 120
ip dhcp excluded-address 172.16.0.100 172.16.1.103
ip dhcp excluded-address 172.16.1.100 172.16.1.101
!
ip dhcp pool pool3
network 172.16.0.0 /16
default-router 172.16.0.100 172.16.2.101 172.16.0.102 172.16.0.103
domain-name cisco.com
dns-server 172.16.1.102 172.16.2.102
netbios-name-server 172.16.1.103 172.16.2.103
netbios-node-type h-node
lease 30
!
network 172.16.1.0 /24 secondary
  override default-router 172.16.1.100 172.16.1.101
end
!
network 172.16.2.0 /24 secondary
```

Configuring Manual Bindings Example

The following example shows how to create a manual binding for a client named example1.cisco.com that sends a client identifier in the DHCP packet. The MAC address of the client is 02c7.f800.0422 and the IP address of the client is 172.16.2.254.

```
ip dhcp pool pool1
host 172.16.2.254
client-identifier 01b7.0813.8811.66
client-name example1
```

The following example shows how to create a manual binding for a client named example2.cisco.com that do not send a client identifier in the DHCP packet. The MAC address of the client is 02c7.f800.0422 and the IP address of the client is 172.16.2.253.

```
ip dhcp pool pool2
 host 172.16.2.253
 hardware-address 02c7.f800.0422 ethernet
 client-name example1
```

Because attributes are inherited, the two preceding configurations are equivalent to the following:

```
ip dhcp pool pool1
 host 172.16.2.254 255.255.255.0
 hardware-address 02c7.f800.0422 ieee802
 client-name client1
 default-router 172.16.2.100 172.16.2.101
 domain-name cisco.com
 dns-server 172.16.1.102 172.16.2.102
 netbios-name-server 172.16.1.103 172.16.2.103
 netbios-node-type h-node
```

Configuring Static Mapping Example

The following example shows how to restart the DHCP server, configure the pool, and specify the URL at which the static mapping text file is stored:

```
no service dhcp
 service dhcp
 ip dhcp pool abcpool
 origin file tftp://10.1.0.1/staticfilename
```



Note

The static mapping text file can be copied to flash memory on the router and served by the TFTP process of the router. In this case, the IP address in the origin file line must be an address owned by the router and one additional line of configuration is required on the router: **tftp-server flash static-filename**

Configuring the Option to Ignore all BOOTP Requests Example

The following example shows two DHCP pools that are configured on the router and that the router's DHCP server is configured to ignore all received BOOTP requests. If a BOOTP request is received from subnet 10.0.18.0/24, the request will be dropped by the router (because the **ip helper-address** command is not configured). If there is a BOOTP request from subnet 192.168.1.0/24, the request will be forwarded to 172.16.1.1 via the **ip helper-address** command.

```
version 12.2
 service timestamps debug uptime
 service timestamps log uptime
 no service password-encryption
 !
 hostname Router
 !
 ip subnet-zero
 !
 ip dhcp bootp ignore
 !
 ip dhcp pool ABC
 network 192.168.1.0 255.255.255.0
 default-router 192.168.1.3
 lease 2
 !
```



```

ip dhcp pool DEF
  network 10.0.18.0 255.255.255.0
!
ip cef
!
interface FastEthernet0/0
  no ip address
  shutdown
  duplex half
!
interface Ethernet1/0
  ip address 10.0.18.68 255.255.255.0
  duplex half
!
interface Ethernet1/1
  ip address 192.168.1.1 255.255.255.0
  ip helper-address 172.16.1.1
  duplex half
!
interface Ethernet1/2
  shutdown
  duplex half
!
interface Ethernet1/3
  no ip address
  shutdown
  duplex half
!
interface FastEthernet2/0
  no ip address
  shutdown
  duplex half
!
ip route 172.16.1.1 255.255.255.255 e1/0
no ip http server
no ip pim bidir-enable
!
call rsvp-sync
!
mgcp profile default
!
dial-peer cor custom
!
gatekeeper
  shutdown
!
line con 0
line aux 0
line vty 0 4
!
end

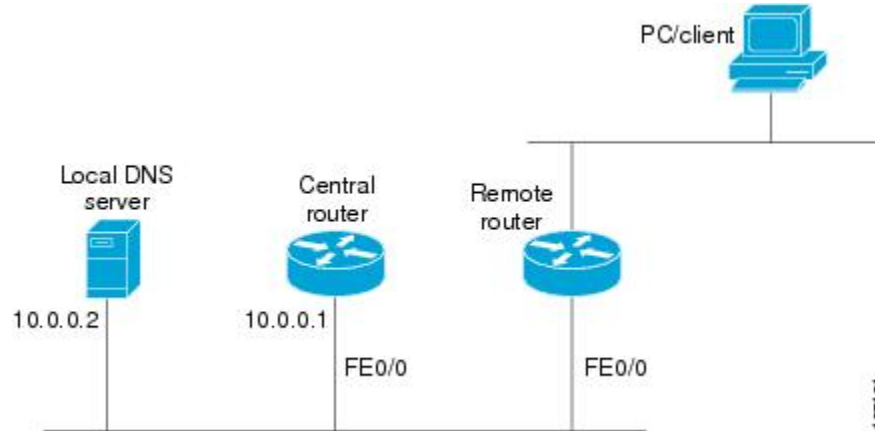
```

Importing DHCP Options Example

The following example shows a remote and central server configured to support the importing of DHCP options. The central server is configured to automatically update DHCP options, such as DNS and WINS addresses, within the DHCP pools. In response to a DHCP request from a local client behind CPE

equipment, the remote server can request or “import” these option parameters from the centralized server. See the figure below for a diagram of the network topology.

Figure 2



Central Router

```
!do not assign this range to DHCP clients
ip dhcp-excluded address 10.0.0.1 10.0.0.5
!
ip dhcp pool central
! Specifies network number and mask for DHCP clients
network 10.0.0.0 255.255.255.0
! Specifies the domain name for the client
domain-name central
! Specifies DNS server that will respond to DHCP clients when they need to correlate
host ! name to ip address
dns-server 10.0.0.2
!Specifies the NETBIOS WINS server
netbios-name-server 10.0.0.2
!
interface FastEthernet0/0
ip address 10.0.0.1 255.255.255.0
duplex auto
speed auto
```

Remote Router

```
ip dhcp pool client
! Imports DHCP option parameters into DHCP server database
import all
network 172.16.2.254 255.255.255.0
!
interface FastEthernet0/0
ip address dhcp
duplex auto
speed auto
```

Configuring DHCP Address Allocation Using Option 82 Example

This example configures two DHCP classes. CLASS1 defines the group of DHCP clients whose address requests contain the relay agent information option with the specified hexadecimal values. CLASS2 defines the group of DHCP clients whose address requests contain the configured relay agent information

suboptions. CLASS3 has no pattern configured and is treated as a “match to any” class. This type of class is useful for specifying a “default” class.

In the following example, the subnet of pool ABC has been divided into three ranges without further subnetting of the 10.0.20.0/24 subnet. If there is a DHCP Discover message from the 10.0.20.0/24 subnet with option 82 matching that of class CLASS1, an available address in the range from 10.0.20.1 to 10.0.20.100 will be allocated. If there is no free address in CLASS1's address range, the DHCP Discover message will be matched against CLASS2, and so on.

Thus, each class in the DHCP pool will be examined for a match in the order configured by the user. In pool ABC, the order of matching is CLASS1, CLASS2, and finally CLASS3. In pool DEF, class CLASS2 does not have any address range configured. By default, the address range for a particular class is the pool's entire subnets. Therefore, clients matching CLASS2 may be allocated addresses from 11.0.20.1 to 11.0.20.254.

Multiple pools can be configured with the same class, eliminating the need to configure the same patterns in multiple pools. In the future, further classification method may be implemented. For example, there may be a need to specify that one or more pools should be used only to service a particular class of devices (for example, cable modems and IP phones).

```
! Defines the DHCP classes and relay information patterns
ip dhcp class CLASS1
  relay agent information
  relay-information hex 01030a0b0c02050000000123
  relay-information hex 01030a0b0c02*
  relay-information hex 01030a0b0c02050000000000 bitmask 00000000000000000000FF
ip dhcp class CLASS2
  relay agent information
  relay-information hex 01040102030402020102
  relay-information hex 01040101030402020102
ip dhcp class CLASS3
  relay agent information
! Associates the DHCP pool with DHCP classes
ip dhcp pool ABC
  network 10.0.20.0 255.255.255.0
  class CLASS1
    address range 10.0.20.1 10.0.20.100
  class CLASS2
    address range 10.0.20.101 10.0.20.200
  class CLASS3
    address range 10.0.20.201 10.0.20.254
ip dhcp pool DEF
  network 172.64.2.2 255.255.255.0
  class CLASS1
    address range 172.64.2.3 172.64.2.10
  class CLASS2
```

Configuring a Static Route with the Next-Hop Dynamically Obtained Through DHCP Example

The following example shows how to configure two Ethernet interfaces to obtain the next-hop router IP address from the DHCP server:

```
ip route 10.10.10.0 255.255.255.0 dhcp 200
ip route 10.10.20.1 255.255.255.255 ethernet 1 dhcp
```

Additional References

The following sections provide references related to configuring the Cisco IOS DHCP server.

Related Documents

Related Topic	Document Title
DHCP commands: complete command syntax, command mode, command history, defaults, usage guidelines, and examples	<i>Cisco IOS IP Addressing Services Command Reference</i>
DHCP conceptual information	“DHCP Overview” module
DHCP relay agent configuration	“Configuring the Cisco IOS DHCP Relay Agent” module
DHCP server on-demand address pools	“Configuring the DHCP Server On-Demand Address Pool Manager” module
DHCP client configuration	“Configuring the Cisco IOS DHCP Client” module
DHCP advanced features	“Configuring DHCP Services for Accounting and Security” module
DHCP enhancements for edge-session management	“Configuring DHCP Enhancements for Edge-Session Management” module
DHCP options	“DHCP Options” appendix in the <i>Network Registrar User’s Guide</i> , Release 6.1.1

Standards

Standards	Title
No new or modified standards are supported by this functionality.	--

MIBs

MIBs	MIBs Link
No new or modified MIBs are supported by this feature, and support for existing MIBs has not been modified by this feature.	To locate and download MIBs for selected platforms, Cisco IOS releases, and feature sets, use Cisco MIB Locator found at the following URL: http://www.cisco.com/go/mibs

RFCs

RFCs	Title
RFC 951	<i>Bootstrap Protocol (BOOTP)</i>
RFC 1542	<i>Clarifications and Extensions for the Bootstrap Protocol</i>
RFC 2131	<i>Dynamic Host Configuration Protocol</i>

RFCs	Title
RFC 2132	<i>DHCP Options and BOOTP Vendor Extensions</i>

Technical Assistance

Description	Link
<p>The Cisco Support website provides extensive online resources, including documentation and tools for troubleshooting and resolving technical issues with Cisco products and technologies.</p> <p>To receive security and technical information about your products, you can subscribe to various services, such as the Product Alert Tool (accessed from Field Notices), the Cisco Technical Services Newsletter, and Really Simple Syndication (RSS) Feeds.</p> <p>Access to most tools on the Cisco Support website requires a Cisco.com user ID and password.</p>	http://www.cisco.com/cisco/web/support/index.html

Feature Information for the Cisco IOS DHCP Server

The following table provides release information about the feature or features described in this module. This table lists only the software release that introduced support for a given feature in a given software release train. Unless noted otherwise, subsequent releases of that software release train also support that feature.

Use Cisco Feature Navigator to find information about platform support and Cisco software image support. To access Cisco Feature Navigator, go to www.cisco.com/go/cfn. An account on Cisco.com is not required.

Table 6 Feature Information for the Cisco IOS DHCP Server

Feature Name	Releases	Feature Configuration Information
DHCP Address Allocation Using Option 82	12.3(4)T 12.2(28)SB 12.2(33)SRB	<p>The Cisco IOS DHCP server can allocate dynamic IP addresses based on the relay information option (option 82) information sent by the relay agent.</p> <p>The following commands were introduced or modified: address range, class, ip dhcp class, ip dhcp use class, relay agent information, relay-information hex.</p>

Feature Name	Releases	Feature Configuration Information
DHCP Server Import All Enhancement	12.2(15)T 12.2(33)SRC	The feature is an enhancement to the import all global configuration command. Before this feature was introduced, the options imported through the import all command were overwritten by those imported by another subsystem. Through this feature, options imported by multiple subsystems can coexist in the DHCP address pool. When the session is terminated or the lease is released, the imported options are cleared.
DHCP Server Multiple Subnet	12.4(15)T 12.2(33)SRB	This feature enables multiple subnets to be configured under the same DHCP address pool. The following commands were introduced or modified: network(DHCP) , override default-router .
DHCP Server Option to Ignore all BOOTP Requests	12.2(8)T 12.2(28)SB	This feature allows the Cisco IOS DHCP server to selectively ignore and not reply to received Bootstrap Protocol (BOOTP) request packets. The following command was introduced or modified: ip dhcp bootp ignore .
DHCP Static Mapping	12.3(11)T 12.2(28)SB 12.2(33)SRC	Configuring static mapping pools enables the DHCP server to read the static bindings from a separate text file (similar in format to the DHCP database file) that is stored in these special pools. The following command was introduced or modified: origin .

Feature Name	Releases	Feature Configuration Information
DHCP Statically Configured Routes Using a DHCP Gateway	12.3(8)T 12.2(28)S 12.2(33)SRC	<p>This feature enables the configuration of static routes that point to an assigned DHCP next-hop router.</p> <p>The following commands were introduced or modified: ip route, show ip route.</p>

Cisco and the Cisco Logo are trademarks of Cisco Systems, Inc. and/or its affiliates in the U.S. and other countries. A listing of Cisco's trademarks can be found at www.cisco.com/go/trademarks. Third party trademarks mentioned are the property of their respective owners. The use of the word partner does not imply a partnership relationship between Cisco and any other company. (1005R)

Any Internet Protocol (IP) addresses and phone numbers used in this document are not intended to be actual addresses and phone numbers. Any examples, command display output, network topology diagrams, and other figures included in the document are shown for illustrative purposes only. Any use of actual IP addresses or phone numbers in illustrative content is unintentional and coincidental.



Configuring the Cisco IOS DHCP Relay Agent

Cisco routers running Cisco IOS software include DHCP server and relay agent software. A DHCP relay agent is any host that forwards DHCP packets between clients and servers. This module describes the concepts and tasks needed to configure the Cisco IOS DHCP relay agent.

- [Finding Feature Information, page 57](#)
- [Prerequisites for Configuring the Cisco IOS DHCP Relay Agent, page 57](#)
- [Information About the DHCP Relay Agent, page 58](#)
- [How to Configure the DHCP Relay Agent, page 58](#)
- [Configuration Examples for the Cisco IOS DHCP Relay Agent, page 80](#)
- [Additional References, page 82](#)
- [Technical Assistance, page 84](#)
- [Feature Information for the Cisco IOS DHCP Relay Agent, page 84](#)
- [Glossary, page 90](#)

Finding Feature Information

Your software release may not support all the features documented in this module. For the latest feature information and caveats, see the release notes for your platform and software release. To find information about the features documented in this module, and to see a list of the releases in which each feature is supported, see the Feature Information Table at the end of this document.

Use Cisco Feature Navigator to find information about platform support and Cisco software image support. To access Cisco Feature Navigator, go to www.cisco.com/go/cfn. An account on Cisco.com is not required.

Prerequisites for Configuring the Cisco IOS DHCP Relay Agent

Before you configure the DHCP relay agent, you should understand the concepts documented in the “DHCP Overview” module.

The Cisco IOS DHCP server and relay agent are enabled by default. You can verify if they have been disabled by checking your configuration file. If they have been disabled, the **no service dhcp** command will appear in the configuration file. Use the **service dhcp** command to reenble the functionality if necessary.

The Cisco IOS DHCP relay agent will be enabled on an interface only when the **ip helper-address** command is configured. This command enables the DHCP broadcast to be forwarded to the configured DHCP server.

Information About the DHCP Relay Agent

- [DHCP Relay Agent Overview, page 58](#)

DHCP Relay Agent Overview

A DHCP relay agent is any host that forwards DHCP packets between clients and servers. Relay agents are used to forward requests and replies between clients and servers when they are not on the same physical subnet. Relay agent forwarding is distinct from the normal forwarding of an IP router, where IP datagrams are switched between networks somewhat transparently. By contrast, relay agents receive DHCP messages and then generate a new DHCP message to send out on another interface. The relay agent sets the gateway IP address (giaddr field of the DHCP packet) and, if configured, adds the relay agent information option (option82) in the packet and forwards it to the DHCP server. The reply from the server is forwarded back to the client after removing option 82.

The Cisco IOS DHCP relay agent supports the use of unnumbered interfaces, including use of smart relay agent forwarding. For DHCP clients connected through the unnumbered interfaces, the DHCP relay agent automatically adds a static host route once the DHCP client obtains an address, specifying the unnumbered interface as the outbound interface. The route is automatically removed once the lease time expires or when the client releases the address.

How to Configure the DHCP Relay Agent

- [Specifying the Packet Forwarding Address, page 58](#)
- [Configuring Relay Agent Information Option Support, page 60](#)
- [Configuring Relay Agent Information Option Support per Interface, page 64](#)
- [Configuring the Subscriber Identifier Suboption of the Relay Agent Information Option, page 66](#)
- [Configuring DHCP Relay Class Support for Client Identification, page 67](#)
- [Configuring DHCP Relay Agent Support for MPLS VPNs, page 70](#)
- [Configuring Relay Agent Information Option Encapsulation Support, page 74](#)
- [Setting the Gateway Address of the DHCP Broadcast to a Secondary Address Using Smart Relay Agent Forwarding, page 77](#)
- [Configuring Private and Standard Suboption Numbers Support, page 78](#)
- [Troubleshooting the DHCP Relay Agent, page 78](#)

Specifying the Packet Forwarding Address

Perform this task to configure the DHCP relay agent to forward packets to a DHCP server.

DHCP clients need to use UDP broadcasts to send their initial DHCPDISCOVER messages because the clients do not have information about the network to which they are attached. If the client is on a network segment that does not include a server, UDP broadcasts are not normally forwarded because most routers are configured to not forward broadcast traffic. Also, when the DHCP client broadcasts a

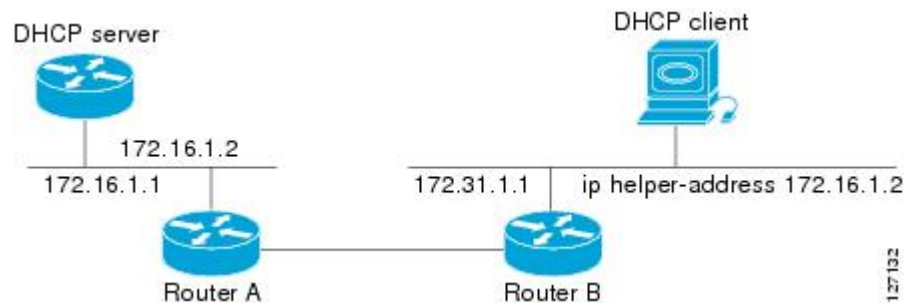
DHCPDISCOVER message, the relay agent sends the broadcast messages toward the client. The Address Resolution Protocol (ARP) entries are created due to an unnecessary ARP check performed by the client after receiving the ACK message. If there are two entries in the ARP table, one gets timed out after the ARP timeout.

You can remedy this situation by configuring the interface of your router that is receiving the broadcasts to forward certain classes of broadcasts to a helper address. You can use more than one helper address per interface.

When a router forwards these address assignment/parameter requests, it is acting as a DHCP relay agent. The Cisco router implementation of the DHCP relay agent is provided via the **ip helper-address** interface configuration command.

In the figure below, the DHCP client broadcasts a request for an IP address and additional configuration parameters on its local LAN. Router B, acting as a DHCP relay agent, picks up the broadcast and generates a new DHCP message to send out on another interface. As part of this DHCP message, the relay agent inserts the IP address of the interface containing the **ip helper-address** command into the gateway IP address (giaddr) field of the DHCP packet. This IP address enables the DHCP server to determine which subnet should receive the offer and identify the appropriate IP address range to offer. The DHCP relay agent sends the local broadcast, via IP unicast, to the DHCP server address 172.16.1.2 specified by the **ip helper-address** interface configuration command.

Figure 3



SUMMARY STEPS

1. enable
2. configure terminal
3. interface *type number*
4. ip helper-address *address*
5. exit
6. ip dhcp relay prefer known-good-server

DETAILED STEPS

Command or Action	Purpose
<p>Step 1 <code>enable</code></p> <p>Example:</p> <pre>Router> enable</pre>	<p>Enables privileged EXEC mode.</p> <ul style="list-style-type: none"> Enter your password if prompted.
<p>Step 2 <code>configure terminal</code></p> <p>Example:</p> <pre>Router# configure terminal</pre>	<p>Enters global configuration mode.</p>
<p>Step 3 <code>interface type number</code></p> <p>Example:</p> <pre>Router(config)# interface FastEthernet0/0</pre>	<p>Configures an interface and enters interface configuration mode.</p>
<p>Step 4 <code>ip helper-address address</code></p> <p>Example:</p> <pre>Router(config-if)# ip helper-address 172.16.1.2</pre>	<p>Forwards UDP broadcasts, including BOOTP and DHCP.</p> <ul style="list-style-type: none"> The <i>address</i> argument can be a specific DHCP server address, or it can be the network address if other DHCP servers are on the destination network segment. Using the network address enables other servers to respond to DHCP requests. If you have multiple servers, you can configure one helper address for each server.
<p>Step 5 <code>exit</code></p> <p>Example:</p> <pre>Router(config-if)# exit</pre>	<p>(Optional) Exits interface configuration mode and enters global configuration mode.</p>
<p>Step 6 <code>ip dhcp relay prefer known-good-server</code></p> <p>Example:</p> <pre>Router(config)# ip dhcp relay prefer known-good-server</pre>	<p>(Optional) Reduces the frequency with which the DHCP clients change their address and forwards client requests to the server that handled the previous request.</p> <ul style="list-style-type: none"> The DHCP relay deletes the ARP entries for addresses offered to the DHCP client on the unnumbered interfaces.

Configuring Relay Agent Information Option Support

Perform this task to enable support for the DHCP relay agent information option.

Automatic DHCP address allocation is typically based on an IP address, whether it be the gateway IP address (giaddr field of the DHCP packet) or the incoming interface IP address. In some networks, it is

necessary to use additional information to further determine which IP addresses to allocate. By using the relay agent information option (option 82), the Cisco IOS relay agent can include additional information about itself when forwarding client-originated DHCP packets to a DHCP server.

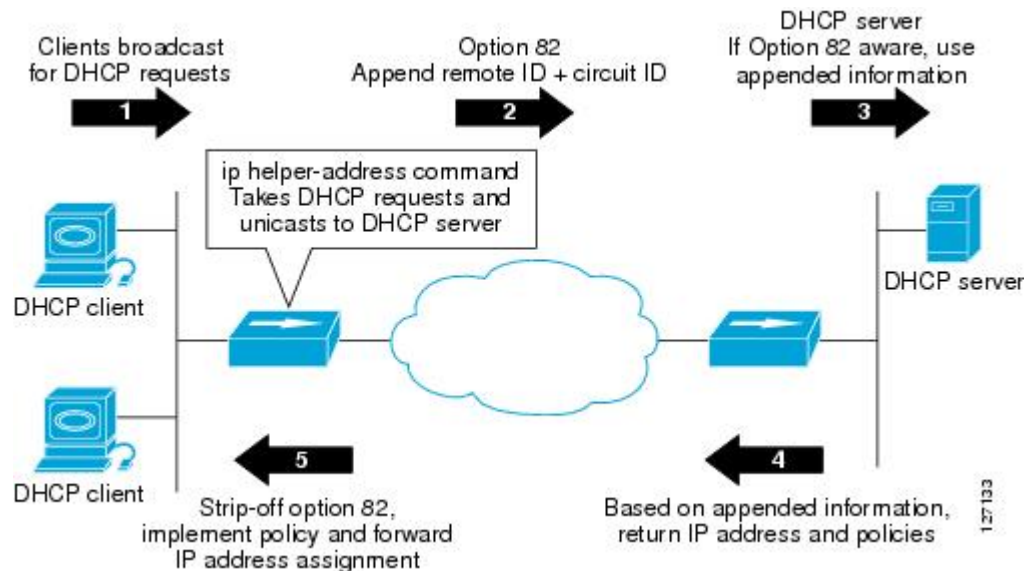
Cisco IOS supports this functionality by using the **ip dhcp relay information option** command. The relay agent will automatically add the circuit identifier suboption and the remote ID suboption to the relay agent information option and forward them to the DHCP server.

The DHCP server can use this information to assign IP addresses, perform access control, and set quality of service (QoS) and security policies (or other parameter-assignment policies) for each subscriber of a service provider network.

The diagram below shows how the relay agent information option is inserted into the DHCP packet as follows:

- 1 The DHCP client generates a DHCP request and broadcasts it on the network.
- 2 The DHCP relay agent intercepts the broadcast DHCP request packet and inserts the relay agent information option (option 82) in the packet. The relay agent information option contains the related suboptions.
- 3 The DHCP relay agent unicasts the DHCP packet to the DHCP server.
- 4 The DHCP server receives the packet and uses the suboptions to assign IP addresses and other configuration parameters and forwards them back to the client.
- 5 The suboption fields are stripped off of the packet by the relay agent while forwarding to the client.

Figure 4



A DHCP relay agent may receive a message from another DHCP relay agent that already contains relay information. By default, the relay information from the previous relay agent is replaced. If this behavior is not suitable for your network, you can use the **ip dhcp relay information policy {drop | keep | replace}** global configuration command to change it.

To ensure the correct operation of the reforwarding policy, make sure to disable the relay agent information check by using the **no ip dhcp relay information check** global configuration command.

It is important to understand how DHCP options work. See the “DHCP Overview” module for more information.

**Note**

- If the **ip dhcp relay information** command is configured in global configuration mode but not configured in interface configuration mode, the global configuration is applied to all interfaces.
- If the **ip dhcp relay information** command is configured in both global configuration mode and interface configuration mode, the interface configuration command takes precedence over the global configuration command. However, the global configuration is applied to interfaces without the interface configuration.
- If the **ip dhcp relay information** command is not configured in global configuration mode but is configured in interface configuration mode, only the interface with the configuration option applied is affected. All other interfaces are not impacted by the configuration.

See the "Configuring Relay Agent Information Option Support per Interface" section for more information on per-interface support for the relay agent information option.

SUMMARY STEPS

1. **enable**
2. **configure terminal**
3. **ip dhcp relay information option**
4. **ip dhcp relay information check**
5. **ip dhcp relay information policy {drop|keep|replace}**
6. **ip dhcp relay information trust-all**
7. **end**
8. **show ip dhcp relay information trusted-sources**

DETAILED STEPS

	Command or Action	Purpose
Step 1	enable Example: Router> enable	Enables privileged EXEC mode. <ul style="list-style-type: none"> • Enter your password if prompted.
Step 2	configure terminal Example: Router# configure terminal	Enters global configuration mode.

Command or Action	Purpose
<p>Step 3 ip dhcp relay information option</p> <p>Example:</p> <pre>Router(config)# ip dhcp relay information option</pre>	<p>Enables the system to insert the DHCP relay agent information option (option-82 field) in forwarded BOOTREQUEST messages to a DHCP server.</p> <ul style="list-style-type: none"> This function is disabled by default.
<p>Step 4 ip dhcp relay information check</p> <p>Example:</p> <pre>Router(config)# ip dhcp relay information check</pre>	<p>(Optional) Configures DHCP to check that the relay agent information option in forwarded BOOTREPLY messages is valid.</p> <ul style="list-style-type: none"> By default, DHCP checks that the option-82 field in DHCP reply packets it receives from the DHCP server is valid. If an invalid message is received, the relay agent drops it. If a valid message is received, the relay agent removes the option-82 field and forwards the packet. Use the ip dhcp relay information check command to reenable this functionality if it has been disabled.
<p>Step 5 ip dhcp relay information policy {drop keep replace}</p> <p>Example:</p> <pre>Router(config)# ip dhcp relay information policy replace</pre>	<p>(Optional) Configures the reforwarding policy for a DHCP relay agent (what a relay agent should do if a message already contains relay information).</p>
<p>Step 6 ip dhcp relay information trust-all</p> <p>Example:</p> <pre>Router(config)# ip dhcp relay information trust-all</pre>	<p>(Optional) Configures all interfaces on a router as trusted sources of the DHCP relay information option.</p> <ul style="list-style-type: none"> By default, if the gateway address is set to all zeros in the DHCP packet and the relay agent information option is already present in the packet, the DHCP relay agent will discard the packet. Use the ip dhcp relay information trust-all command to override this behavior and accept the packets. This command is useful if there is a switch in between the client and the relay agent that may insert option 82. Use this command to ensure that these packets do not get dropped. You can configure an individual interface as a trusted source of the DHCP relay information option by using the ip dhcp relay information trusted interface configuration mode command.
<p>Step 7 end</p> <p>Example:</p> <pre>Router(config)# end</pre>	<p>Returns to privileged EXEC mode.</p>

Command or Action	Purpose
Step 8 <code>show ip dhcp relay information trusted-sources</code> Example: <pre>Router# show ip dhcp relay information trusted-sources</pre>	(Optional) Displays all interfaces configured to be a trusted source for the DHCP relay information option.

Configuring Relay Agent Information Option Support per Interface

Perform this task to enable support for the DHCP relay agent information option (option 82) on a per interface basis.

The interface configuration allows the subscribers with different DHCP option 82 requirements on different interfaces to be reached from one Cisco router.

It is important to understand how DHCP options work. See the “DHCP Overview” module for more information.



Note

- If the **ip dhcp relay information** command is configured in global configuration mode but not configured in interface configuration mode, the global configuration is applied to all interfaces.
- If the **ip dhcp relay information** command is configured in both global configuration mode and interface configuration mode, the interface configuration command takes precedence over the global configuration command. However, the global configuration is applied to interfaces without the interface configuration.
- If the **ip dhcp relay information** command is not configured in global configuration mode but is configured in interface configuration mode, only the interface with the configuration option applied is affected. All other interfaces are not impacted by the configuration.

>

SUMMARY STEPS

1. **enable**
2. **configure terminal**
3. **interface** *type number*
4. **ip dhcp relay information option-insert** [none]
5. **ip dhcp relay information check-reply** [none]
6. **ip dhcp relay information policy-action** {drop | keep | replace}
7. **exit**
8. Repeat Steps 3 through 7 to configure relay agent information settings on different interfaces.

DETAILED STEPS

Command or Action	Purpose
<p>Step 1 <code>enable</code></p> <p>Example:</p> <pre>Router> enable</pre>	<p>Enables privileged EXEC mode.</p> <ul style="list-style-type: none"> Enter your password if prompted.
<p>Step 2 <code>configure terminal</code></p> <p>Example:</p> <pre>Router# configure terminal</pre>	<p>Enters global configuration mode.</p>
<p>Step 3 <code>interface type number</code></p> <p>Example:</p> <pre>Router(config)# interface FastEthernet0/0</pre>	<p>Configures an interface and enters interface configuration mode.</p>
<p>Step 4 <code>ip dhcp relay information option-insert [none]</code></p> <p>Example:</p> <pre>Router(config-if)# ip dhcp relay information option-insert</pre>	<p>Enables the system to insert the DHCP relay agent information option (option-82 field) in forwarded BOOTREQUEST messages to a DHCP server.</p> <ul style="list-style-type: none"> This function is disabled by default. However, if support for the relay agent information option is configured in global configuration mode, but not in interface configuration mode, the interface inherits the global configuration. The ip dhcp relay information option-insert none interface configuration command is saved in the running configuration. This command takes precedence over any global relay agent information configuration.
<p>Step 5 <code>ip dhcp relay information check-reply [none]</code></p> <p>Example:</p> <pre>Router(config-if)# ip dhcp relay information check-reply</pre>	<p>Configures a DHCP server to validate the relay information option in forwarded BOOTREPLY messages.</p> <ul style="list-style-type: none"> By default, DHCP checks that the option-82 field in DHCP reply packets it receives from the DHCP server is valid. If an invalid message is received, the relay agent drops it. If a valid message is received, the relay agent removes the option-82 field and forwards the packet. Use the ip dhcp relay information check-reply command to reenable this functionality if it has been disabled. The ip dhcp relay information check-reply none interface configuration command option is saved in the running configuration. This command takes precedence over any global relay agent information configuration.

Command or Action	Purpose
Step 6 <code>ip dhcp relay information policy-action {drop keep replace}</code> Example: <pre>Router(config-if)# ip dhcp relay information policy-action replace</pre>	Configures the information reforwarding policy for a DHCP relay agent (what a relay agent should do if a message already contains relay information).
Step 7 <code>exit</code> Example: <pre>Router(config-if)# exit</pre>	Exits interface configuration mode.
Step 8 Repeat Steps 3 through 7 to configure relay agent information settings on different interfaces.	(Optional)

Configuring the Subscriber Identifier Suboption of the Relay Agent Information Option

Perform this task to enable an Internet service provider (ISP) to add a unique identifier to the subscriber-identifier suboption of the relay agent information option.

The unique identifier enables an ISP to identify a subscriber, to assign specific actions to that subscriber (for example, assignment of host IP address, subnet mask, and domain name system DNS), and to trigger accounting.

Before the introduction of this feature, if a subscriber moved, each ISP had to be informed of the change and all ISPs had to reconfigure the DHCP settings for the affected customers at the same time. Even if the service was not changed, every move involved administrative changes in the ISP environment. With the introduction of this feature, if a subscriber moves from one Network Access Server to another, there is no need for a change in the configuration on the part of the DHCP server or ISP.

You should configure the unique identifier for each subscriber.

The new configurable subscriber-identifier option should be configured on the interface connected to the client. When a subscriber moves from one interface to the other, the interface configuration should also be changed.

The server should be able to recognize the new suboption.

SUMMARY STEPS

1. **enable**
2. **configure terminal**
3. **ip dhcp relay information option**
4. **interface** *type number*
5. **ip dhcp relay information option subscriber-id** *string*

DETAILED STEPS

Command or Action	Purpose
<p>Step 1 <code>enable</code></p> <p>Example:</p> <pre>Router> enable</pre>	<p>Enables privileged EXEC mode.</p> <ul style="list-style-type: none"> Enter your password if prompted.
<p>Step 2 <code>configure terminal</code></p> <p>Example:</p> <pre>Router# configure terminal</pre>	<p>Enters global configuration mode.</p>
<p>Step 3 <code>ip dhcp relay information option</code></p> <p>Example:</p> <pre>Router(config)# ip dhcp relay information option</pre>	<p>Enables the system to insert the DHCP relay agent information option (option-82 field) in forwarded BOOTREQUEST messages to a DHCP server.</p> <ul style="list-style-type: none"> This function is disabled by default.
<p>Step 4 <code>interface type number</code></p> <p>Example:</p> <pre>Router(config)# interface atm4/0.1</pre>	<p>Configures an interface and enters interface configuration mode.</p>
<p>Step 5 <code>ip dhcp relay information option subscriber-id string</code></p> <p>Example:</p> <pre>Router(config-if)# ip dhcp relay information option subscriber-id newsubscriber123</pre>	<p>Specifies that a DHCP relay agent add a subscriber identifier suboption to the relay information option.</p> <ul style="list-style-type: none"> The <i>string</i> argument can be up to a maximum of 50 characters and can be alphanumeric. <p>Note If more than 50 characters are configured, the string is truncated.</p> <p>Note The <code>ip dhcp relay information option subscriber-id</code> command is disabled by default to ensure backward capability.</p>

Configuring DHCP Relay Class Support for Client Identification

Perform this task to configure DHCP relay class support for client identification.

DHCP relay class support for client identification allows the Cisco IOS relay agent to forward client-generated DHCP messages to different DHCP servers based on the content of the following four options:

- Option 60: vendor class identifier
- Option 77: user class
- Option 124: vendor-identifying vendor class
- Option 125: vendor-identifying vendor-specific information

Each option identifies the type of client sending the DHCP message.

Relay pools provide a method to define DHCP pools that are not used for address allocation. These relay pools can specify that DHCP messages from clients on a specific subnet should be forwarded to a specific DHCP server. These relay pools can be configured with relay classes inside the pool that help determine the forwarding behavior.

For example, after receiving the option in the DHCP DISCOVER message, the relay agent will match and identify the relay class from the relay pool and then direct the DHCP DISCOVER message to the DHCP server associated with that identified relay class.

In an example application, a Cisco router acting as a DHCP relay agent receives DHCP requests from two VoIP services (H323 and SIP). The requesting devices are identified by option 60.

Both VoIP services have a different back-office infrastructure so they cannot be serviced by the same DHCP server. Requests for H323 devices must be forwarded to the H323 server and requests from the SIP devices must be forwarded to the SIP server.

The solution is to configure the relay agent with relay classes that are configured to match option 60 values sent by the client devices. Based on the option value, the relay agent will match and identify the relay class, and forward the DHCP DISCOVER message to the DHCP server associated with that identified relay class.

The Cisco IOS DHCP server examines the relay classes that are applicable to a pool and then uses the exact match class regardless of the configuration order. If the exact match is not found, then the DHCP server uses the first default match found.

It is important to understand how DHCP options work. See the “DHCP Overview” module for more information.

You must know the hexadecimal value of each byte location in the options to be able to configure the **option hex** command. The format may vary from product to product. Contact the relay agent vendor for this information.

SUMMARY STEPS

1. **enable**
2. **configure terminal**
3. **ip dhcp class** *class-name*
4. **option** *code* **hex** *hex-pattern* [*][**mask** *bit-mask-pattern*]
5. **exit**
6. Repeat Steps 3 through 5 for each DHCP class you need to configure.
7. **ip dhcp pool** *name*
8. **relay source** *ip-address subnet-mask*
9. **class** *class-name*
10. **relay target** [**vrf** *vrf-name* | **global**] *ip-address*
11. **exit**
12. Repeat Steps 9 through 11 for each DHCP class you need to configure.

DETAILED STEPS

	Command or Action	Purpose
Step 1	<p>enable</p> <p>Example:</p> <pre>Router> enable</pre>	<p>Enables privileged EXEC mode.</p> <ul style="list-style-type: none"> Enter your password if prompted.
Step 2	<p>configure terminal</p> <p>Example:</p> <pre>Router# configure terminal</pre>	<p>Enters global configuration mode.</p>
Step 3	<p>ip dhcp class <i>class-name</i></p> <p>Example:</p> <pre>Router(config)# ip dhcp class SIP</pre>	<p>Defines a DHCP class and enters DHCP class configuration mode.</p>
Step 4	<p>option <i>code</i> <i>hex</i> <i>hex-pattern</i> [*][<i>mask</i> <i>bit-mask-pattern</i>]</p> <p>Example:</p> <pre>Router(dhcp-class)# option 60 hex 010203</pre>	<p>Enables the relay agent to make forwarding decisions based on DHCP options inserted in the DHCP message.</p>
Step 5	<p>exit</p> <p>Example:</p> <pre>Router(dhcp-class)# exit</pre>	<p>Exits DHCP class configuration mode.</p>
Step 6	<p>Repeat Steps 3 through 5 for each DHCP class you need to configure.</p>	<p>--</p>
Step 7	<p>ip dhcp pool <i>name</i></p> <p>Example:</p> <pre>Router(config)# ip dhcp pool ABC</pre>	<p>Configures a DHCP pool on a DHCP server and enters DHCP pool configuration mode.</p>

Command or Action	Purpose
<p>Step 8 <code>relay source ip-address subnet-mask</code></p> <p>Example:</p> <pre>Router(dhcp-config)# relay source 10.2.0.0 255.0.0.0</pre>	<p>Configures the relay source. The <i>ip-address</i> and <i>subnet-mask</i> arguments are the IP address and subnet mask for the relay source.</p> <ul style="list-style-type: none"> This command is similar to the network command in a normal DHCP network pool, because it restricts the use of the address pool to packets arriving on the interface whose configured IP address and mask matches the relay source configuration.
<p>Step 9 <code>class class-name</code></p> <p>Example:</p> <pre>Router(dhcp-config)# class SIP</pre>	<p>Associates a class with a DHCP pool and enters DHCP pool class configuration mode.</p>
<p>Step 10 <code>relay target [vrf vrf-name global] ip-address</code></p> <p>Example:</p> <pre>Router(config-dhcp-pool-class)# relay target 10.21.3.1</pre>	<p>Configures an IP address for a DHCP server to which packets are forwarded.</p>
<p>Step 11 <code>exit</code></p> <p>Example:</p> <pre>Router(dhcp-class)# exit</pre>	<p>Exits DHCP pool class configuration mode.</p>
<p>Step 12 Repeat Steps 9 through 11 for each DHCP class you need to configure.</p>	<p>--</p>

Configuring DHCP Relay Agent Support for MPLS VPNs

Perform this task to configure DHCP relay agent support for MPLS VPNs.

DDHCP relay support for Multiprotocol Label Switching (MPLS) Virtual Private Networks (VPNs) enables a network administrator to conserve address space by allowing overlapping addresses. The relay agent can support multiple clients on different VPNs, and many of these clients from different VPNs can share the same IP address.

Configuring VPNs involves an adjustment to the usual DHCP host IP address designation. VPNs use private address spaces that might not be unique across the Internet.

In some environments, a relay agent resides in a network element that also has access to one or more MPLS VPNs. A DHCP server that provides service to DHCP clients on those different VPNs must locate the VPN in which each client resides. The network element that contains the relay agent typically captures the VPN association of the DHCP client and includes this information in the relay agent information option of the DHCP packet.

DHCP relay support for MPLS VPNs allows the relay agent to forward this necessary VPN-related information to the DHCP server using the following three suboptions of the DHCP relay agent information option:

- VPN identifier
- Subnet selection
- Server identifier override

The VPN identifier suboption is used by the relay agent to tell the DHCP server the VPN for every DHCP request it passes on to the DHCP server, and it is also used to properly forward any DHCP reply that the DHCP server sends back to the relay agent. The VPN identifier suboption contains the VPN ID configured on the incoming interface to which the client is connected. If you configure the VRF name but not the VPN ID, the VRF name is used as the VPN identifier suboption. If the interface is in global routing space, the VPN suboptions are not added.

The subnet selection suboption allows the separation of the subnet where the client resides from the IP address used to communicate with the relay agent. In typical DHCP processing, the gateway address specifies both the subnet on which a DHCP client resides and the IP address that the server can use to communicate with the relay agent. Situations exist where the relay agent needs to specify the subnet on which a DHCP client resides that is different from the IP address the server can use to communicate with the relay agent. The subnet selection suboption is included in the relay agent information option and passed on to the DHCP server. The gateway address is changed to the outgoing interface of the relay agent toward the DHCP server. The DHCP server uses this gateway address to send reply packets back to the relay agent.

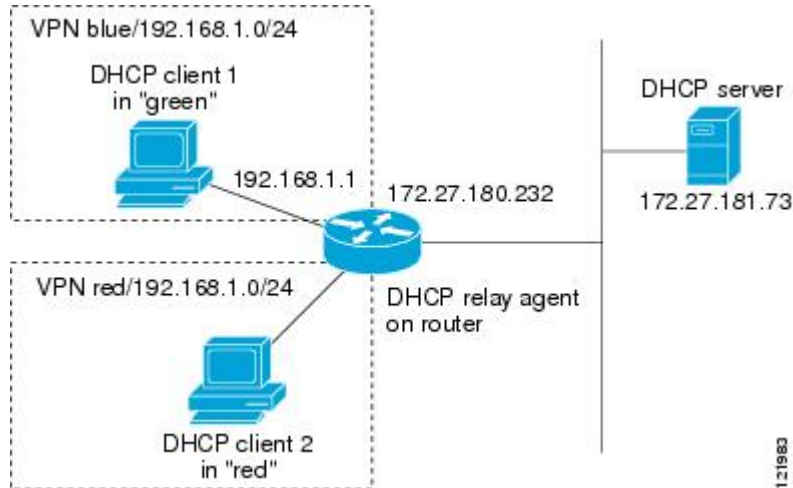
The server identifier override suboption value is copied in the reply packet from the DHCP server instead of the normal server ID address. The server identifier override suboption contains the incoming interface IP address, which is the IP address on the relay agent that is accessible from the client. Using this information, the DHCP client sends all renew and release packets to the relay agent. The relay agent adds all of the VPN suboptions and then forwards the renew and release packets to the original DHCP server.

After adding these suboptions to the DHCP relay agent information option, the gateway address is changed to the outgoing interface of the relay agent toward the DHCP server. When the packets are returned from the DHCP server, the relay agent removes the relay agent information options and forwards the packets to the DHCP client on the correct VPN.

The figure below shows a VPN scenario where the DHCP relay agent and DHCP server can recognize the VPN that each client resides within. DHCP client 1 is part of VPN green and DHCP client 2 is part of VPN red and both have the same private IP address 192.168.1.0/24. Because the clients have the same IP address, the DHCP relay agent and DHCP server use the VPN identifier, subnet selection, and server

identifier override suboptions of the relay agent information option to distinguish the correct VPN of the client.

Figure 5



Before configuring DHCP relay support for MPLS VPNs, you must configure standard MPLS VPNs.



Note

- If the **ip dhcp relay information option vpn** global configuration command is configured and the **ip dhcp relay information option vpn-id** interface configuration command is not configured, the global configuration is applied to all interfaces.
- If the **ip dhcp relay information option vpn** global configuration command is configured and the **ip dhcp relay information option vpn-id** interface configuration command is also configured, the interface configuration command takes precedence over the global configuration command. However, the global configuration is applied to interfaces without the interface configuration.
- If the **ip dhcp relay information option vpn** global configuration command is not configured and the **ip dhcp relay information option vpn-id** interface configuration command is configured, only the interface with the configuration option applied is affected. All other interfaces are not impacted by the configuration.

SUMMARY STEPS

1. enable
2. configure terminal
3. ip dhcp relay information option vpn
4. interface *type number*
5. ip helper-address vrf *name* [*global*] *address*
6. ip dhcp relay information option vpn-id [*none*]

DETAILED STEPS

Command or Action	Purpose
<p>Step 1 <code>enable</code></p> <p>Example:</p> <pre>Router> enable</pre>	<p>Enables privileged EXEC mode.</p> <ul style="list-style-type: none"> Enter your password if prompted.
<p>Step 2 <code>configure terminal</code></p> <p>Example:</p> <pre>Router# configure terminal</pre>	<p>Enters global configuration mode.</p>
<p>Step 3 <code>ip dhcp relay information option vpn</code></p> <p>Example:</p> <pre>Router(config)# ip dhcp relay information option vpn</pre>	<p>Enables the system to insert VPN suboptions into the DHCP relay agent information option in forwarded BOOTREQUEST messages to a DHCP server and sets the gateway address to the outgoing interface toward the DHCP server.</p> <ul style="list-style-type: none"> The VPN suboptions are also added to the BOOTP broadcast packets when the command is configured.
<p>Step 4 <code>interface type number</code></p> <p>Example:</p> <pre>Router(config)# interface FastEthernet0/0</pre>	<p>Configures an interface and enters interface configuration mode.</p>
<p>Step 5 <code>ip helper-address vrf name [global] address</code></p> <p>Example:</p> <pre>Router(config-if)# ip helper- address vrf blue 172.27.180.232</pre>	<p>Forwards UDP broadcasts, including BOOTP, received on an interface.</p> <ul style="list-style-type: none"> If the DHCP server resides in a different VRF or global space that is different from the VPN, then the vrf name or global options allow you to specify the name of the VRF or global space in which the DHCP server resides.

Command or Action	Purpose
<p>Step 6 <code>ip dhcp relay information option vpn-id [none]</code></p> <p>Example:</p> <pre>Router(config-if)# ip dhcp relay information option vpn-id</pre>	<p>(Optional) Enables the system to insert VPN suboptions into the DHCP relay agent information option in forwarded BOOTREQUEST messages to a DHCP server and sets the gateway address to the outgoing interface toward the DHCP server.</p> <ul style="list-style-type: none"> • The VPN suboptions are also added to the BOOTP broadcast packets when the command is configured. • The ip dhcp relay information option vpn-id none command allows you to disable the VPN functionality on the interface. The only time you need to use this command is when the ip dhcp relay information option vpn global configuration command is configured and you want to override the global configuration. • The no ip dhcp relay information option vpn-id command removes the configuration from the running configuration. In this case, the interface inherits the global configuration, which may or may not be configured to insert VPN suboptions.

Configuring Relay Agent Information Option Encapsulation Support

Perform the following task to enable support for the encapsulation of the DHCP relay agent information option (option 82).

When two relay agents are relaying messages between the DHCP client and DHCP server, the second relay agent (closer to the server), by default, replaces the first option 82 information with its own option 82. The remote ID and circuit ID information from the first relay agent is lost. In some deployment scenarios, it is necessary to maintain the initial option 82 from the first relay agent, in addition to the option 82 from the second relay agent. For example, an Intelligent Service Gateway (ISG) acting as a second relay agent is connected to a Layer 2 device. The Layer 2 device connects to the household and identifies the household with its own option 82.

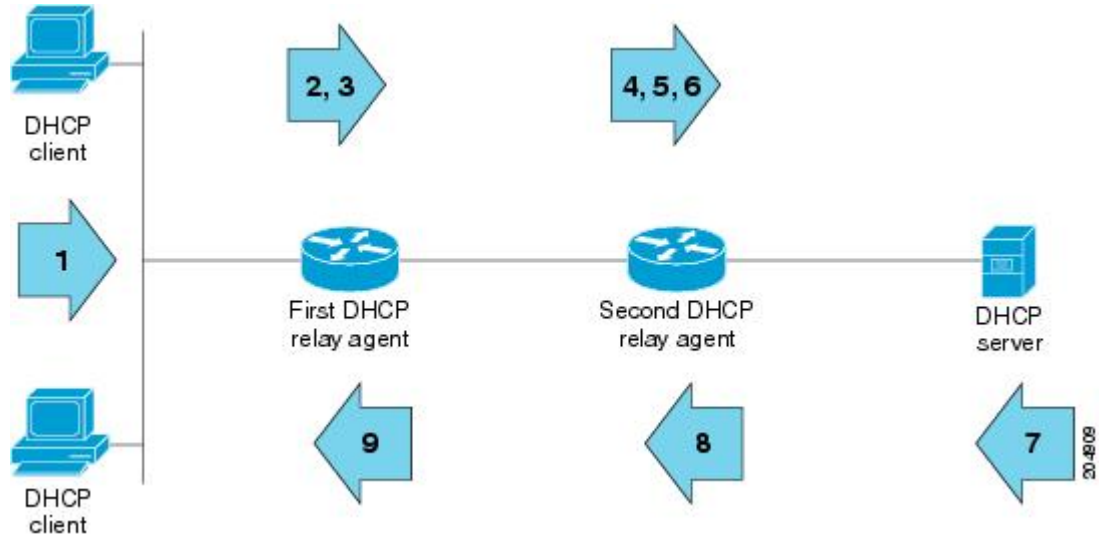
The DHCP Relay Option 82 Encapsulation feature allows the second relay agent to encapsulate option 82 information in a received message from the first relay agent if it is also configured to add its own option 82 information. This configuration allows the DHCP server to use option 82 information from both relay agents. The DHCP server can use the VPN information from the second relay agent along with the option 82 information from the first relay agent to send correct address assignments and other configuration parameters for the client devices based on the VRF, option 60, and encapsulated option 82. The reply message from the DHCP server to the DHCP client traverses the same path as the request messages through the two relay agents to the DHCP client.

The diagram below shows the processing that occurs on the two relay agents and the DHCP server when this feature is configured:

- 1 The DHCP client generates a DHCP message (including option 60) and broadcasts it on the network.
- 2 The first DHCP relay agent intercepts the broadcast DHCP request packet and inserts its own option 82 in the packet.
- 3 The relay agent automatically adds the circuit ID suboption and the remote ID suboption to option 82 and forwards them to the second relay agent.
- 4 The second relay agent encapsulates the first relay agent's option 82 and inserts its own option 82.
- 5 The gateway IP address (giaddr) is set to the incoming interface on the second relay agent and the original giaddr from the first relay agent is encapsulated.

- 6 The second DHCP relay agent unicasts the DHCP packet to the DHCP server.
- 7 The DHCP server receives the packet and uses the VPN suboption information from the second relay, along with the option 82 information from the first relay agent, to assign IP addresses and other configuration parameters and forwards the packet back to the second relay agent.
- 8 When the second relay agent receives the reply message from the server, it restores the encapsulated option 82 and prior giaddr from the first relay agent. The reply message is then sent to the prior giaddr.
- 9 The option 82 is stripped off of the packet by the first relay agent before forwarding to the client.

Figure 6



SUMMARY STEPS

1. enable
2. configure terminal
3. ip dhcp relay information option
4. ip dhcp relay information option vpn
5. ip dhcp relay information policy encapsulate
6. interface *type number*
7. ip dhcp relay information policy-action encapsulate

DETAILED STEPS

Command or Action	Purpose
<p>Step 1 enable</p> <p>Example:</p> <pre>Router> enable</pre>	<p>Enables privileged EXEC mode.</p> <ul style="list-style-type: none"> • Enter your password if prompted.

Command or Action	Purpose
<p>Step 2 <code>configure terminal</code></p> <p>Example:</p> <pre>Router# configure terminal</pre>	<p>Enters global configuration mode.</p>
<p>Step 3 <code>ip dhcp relay information option</code></p> <p>Example:</p> <pre>Router(config)# ip dhcp relay information option</pre>	<p>Enables the system to insert the DHCP relay agent information option (option-82 field) in forwarded BOOTREQUEST messages to a DHCP server.</p> <ul style="list-style-type: none"> This function is disabled by default.
<p>Step 4 <code>ip dhcp relay information option vpn</code></p> <p>Example:</p> <pre>Router(config)# ip dhcp relay information option vpn</pre>	<p>(Optional) Enables the system to insert VPN suboptions into the DHCP relay agent information option in forwarded BOOTREQUEST messages to a DHCP server and sets the gateway address to the outgoing interface toward the DHCP server.</p> <ul style="list-style-type: none"> The VPN suboptions are also added to the BOOTP broadcast packets when the command is configured.
<p>Step 5 <code>ip dhcp relay information policy encapsulate</code></p> <p>Example:</p> <pre>Router(config)# ip dhcp relay information policy encapsulate</pre>	<p>Enables the system to encapsulate the DHCP relay agent information option (option-82 field) received from a prior relay agent in forwarded BOOTREQUEST messages to a DHCP server.</p> <ul style="list-style-type: none"> Option 82 information from both relay agents will be forwarded to the DHCP server.
<p>Step 6 <code>interface type number</code></p> <p>Example:</p> <pre>Router(config)# interface FastEthernet0/0</pre>	<p>(Optional) Configures an interface and enters interface configuration mode.</p> <ul style="list-style-type: none"> If you configure the global configuration command, there is no need to configure the interface configuration command unless you want a different configuration to apply on specific interfaces.
<p>Step 7 <code>ip dhcp relay information policy-action encapsulate</code></p> <p>Example:</p> <pre>Router(config-if)# ip dhcp relay information policy-action encapsulate</pre>	<p>(Optional) Enables the system to encapsulate the DHCP relay agent information option (option-82 field) received on an interface from a prior relay agent in forwarded BOOTREQUEST messages to a DHCP server on an interface.</p> <ul style="list-style-type: none"> This function is disabled by default. This command has precedence over any global configuration. However, if support for the relay agent information option encapsulation support is configured in global configuration mode, but not in interface configuration mode, the interface inherits the global configuration.

Setting the Gateway Address of the DHCP Broadcast to a Secondary Address Using Smart Relay Agent Forwarding

Perform this task to configure smart relay agent forwarding.

You only need to configure helper addresses on the interface where the UDP broadcasts that you want to forward to the DHCP server are being received, and you only need the **ip dhcp smart-relay** command configured if you have secondary addresses on that interface and you want the router to step through each IP network when forwarding DHCP requests. Without the smart relay agent configured, all requests are forwarded using the primary IP address on the interface.

If the **ip dhcp smart-relay** command is configured, the relay agent counts the number of times the client retries sending a request to the DHCP server when there is no DHCPOFFER message from the DHCP server. After three retries, the relay agent sets the gateway address to the secondary address. If the DHCP server still does not respond after three more retries, then the next secondary address is used as the gateway address.

This functionality is useful when the DHCP server cannot be configured to use secondary pools.

SUMMARY STEPS

1. **enable**
2. **configure terminal**
3. **ip dhcp smart-relay**

DETAILED STEPS

Command or Action	Purpose
Step 1 enable Example: <pre>Router> enable</pre>	Enables privileged EXEC mode. <ul style="list-style-type: none"> • Enter your password if prompted.
Step 2 configure terminal Example: <pre>Router# configure terminal</pre>	Enters global configuration mode.
Step 3 ip dhcp smart-relay Example: <pre>Router(config)# ip dhcp smart-relay</pre>	Allows the DHCP relay agent to switch the gateway address (giaddr field of a DHCP packet) to secondary addresses when there is no DHCPOFFER message from a DHCP server.

Configuring Private and Standard Suboption Numbers Support

Some features that are not standardized will be using the private Cisco relay agent suboption numbers. Once the features are standardized, the relay agent suboptions are assigned the Internet Assigned Numbers Authority (IANA) numbers. Cisco IOS supports both the private and IANA numbers for these suboptions.

Perform this task to configure the DHCP client to use private or IANA standard relay agent suboption numbers.

SUMMARY STEPS

1. **enable**
2. **configure terminal**
3. **ip dhcp compatibility suboption link-selection { cisco | standard }**
4. **exit**

DETAILED STEPS

Command or Action	Purpose
Step 1 enable Example: <pre>Router> enable</pre>	Enables privileged EXEC mode. <ul style="list-style-type: none"> • Enter your password if prompted.
Step 2 configure terminal Example: <pre>Router# configure terminal</pre>	Enters global configuration mode.
Step 3 ip dhcp compatibility suboption link-selection { cisco standard } Example: <pre>Router(config)# ip dhcp compatibility suboption link-selection standard</pre>	Configures the DHCP client to use the private or IANA standard relay agent suboption numbers.
Step 4 exit Example: <pre>Router(config)# exit</pre>	(Optional) Exits global configuration mode.

Troubleshooting the DHCP Relay Agent

Perform this task to troubleshoot the DHCP relay agent.

The **show ip route dhcp** command is useful to help you understand any problems with the DHCP relay agent adding routes to clients from unnumbered interfaces. All routes added to the routing table by the DHCP server and relay agent are displayed.

SUMMARY STEPS

1. **enable**
2. **show ip route dhcp**
3. **show ip route dhcp *ip-address***
4. **show ip route vrf *vrf-name* dhcp**
5. **clear ip route [*vrf vrf-name*] dhcp [*ip-address*]**

DETAILED STEPS

Command or Action	Purpose
<p>Step 1 enable</p> <p>Example:</p> <pre>Router> enable</pre>	<p>Enables privileged EXEC mode.</p> <ul style="list-style-type: none"> • Enter your password if prompted.
<p>Step 2 show ip route dhcp</p> <p>Example:</p> <pre>Router# show ip route dhcp</pre>	<p>Displays all routes added by the Cisco IOS DHCP server and relay agent.</p>
<p>Step 3 show ip route dhcp <i>ip-address</i></p> <p>Example:</p> <pre>Router# show ip route dhcp 172.16.1.3</pre>	<p>Displays all routes added by the Cisco IOS DHCP server and relay agent associated with an IP address.</p>
<p>Step 4 show ip route vrf <i>vrf-name</i> dhcp</p> <p>Example:</p> <pre>Router# show ip route vrf vrf1 dhcp</pre>	<p>Displays all routes added by the Cisco IOS DHCP server and relay agent associated with the named VRF.</p>
<p>Step 5 clear ip route [<i>vrf vrf-name</i>] dhcp [<i>ip-address</i>]</p> <p>Example:</p> <pre>Router# clear ip route dhcp</pre>	<p>Removes routes from the routing table added by the DHCP server and relay agent for the DHCP clients on unnumbered interfaces.</p>

Configuration Examples for the Cisco IOS DHCP Relay Agent

- [Example Configuring the DHCP Relay Agent and Relay Agent Information Option Support](#), page 80
- [Example Configuring the DHCP Relay Agent and Relay Agent Information Option Support per Interface](#), page 80
- [Example Configuring the Subscriber Identifier Suboption](#), page 81
- [Example Configuring DHCP Relay Class Support for Client Identification](#), page 81
- [Example Configuring DHCP Relay Agent Support for MPLS VPNs](#), page 81
- [Example DHCP Relay Agent Information Option Encapsulation Support](#), page 82
- [Example Configuring DHCP Smart Relay Agent Forwarding](#), page 82

Example Configuring the DHCP Relay Agent and Relay Agent Information Option Support

The following example shows how to enable the DHCP server, the relay agent, and the insertion and removal of the DHCP relay information option (option 82). Note that the Cisco IOS DHCP server is enabled by default. In this example, the DHCP server was disabled:

```
!reenables the DHCP server
service dhcp
ip dhcp relay information option
!
interface ethernet0/0
ip address 192.168.100.1 255.255.255.0
ip helper-address 10.55.11.3
```

Example Configuring the DHCP Relay Agent and Relay Agent Information Option Support per Interface

The following example shows that for subscribers being serviced by the same aggregation router, the relay agent information option needs to be processed differently for ATM subscribers than for Ethernet digital subscribers. For ATM subscribers, the relay agent information option is configured to be removed from the packet by the relay agent before forwarding to the client. For Ethernet subscribers, the connected device provides the relay agent information option, and it is configured to remain in the packet and be forwarded to the client.

```
ip dhcp relay information trust-all
interface Loopback0
ip address 10.16.0.1 255.255.255.0
!
interface ATM3/0
no ip address
!
interface ATM3/0.1
ip helper-address 10.16.1.2
ip unnumbered loopback0
ip dhcp relay information option-insert
!
interface Loopback1
ip address 10.18.0.1 255.255.255.0
!
interface Ethernet4
no ip address
```

```

!
interface Ethernet4/0.1
  encaps dot1q 123
  ip unnumbered loopback1
  ip helper-address 10.18.1.2
  ip dhcp relay information policy-action keep

```

Example Configuring the Subscriber Identifier Suboption

The following example shows how to add a unique identifier to the subscriber-identifier suboption of the relay agent information option:

```

ip dhcp relay information option
!
interface Loopback0
  ip address 10.1.1.129 255.255.255.192
!
interface ATM4/0
  no ip address
!
interface ATM4/0.1 point-to-point
  ip helper-address 10.16.1.2
  ip unnumbered Loopback0
  ip dhcp relay information option subscriber-id newperson123
  atm route-bridged ip
  pvc 88/800
  encapsulation aal5snap

```

Example Configuring DHCP Relay Class Support for Client Identification

In the following example, DHCP messages are received from DHCP clients on subnet 10.2.2.0. The relay agent will match and identify the relay class from the relay pool and forward the DHCP message to the appropriate DHCP server identified by the **relay target** command.

```

!
ip dhcp class H323
  option 60 hex 010203
!
ip dhcp class SIP
  option 60 hex 040506
!
! The following is the relay pool
ip dhcp pool pool1
  relay source 10.2.2.0 255.255.255.0
  class H323
    relay target 192.168.2.1
    relay target 192.169.2.1
!
  class SIP
    relay target 192.170.2.1

```

Example Configuring DHCP Relay Agent Support for MPLS VPNs

In the following example, the DHCP relay agent receives a DHCP request on Ethernet interface 0/1 and sends the request to the DHCP server located at IP helper address 10.44.23.7, which is associated with the VRF named vrf1:

```

ip dhcp relay information option vpn
!
interface ethernet 0/1
  ip helper-address vrf vrf1 10.44.23.7
!

```


Example DHCP Relay Agent Information Option Encapsulation Support

In the following example, DHCP relay agent 1 is configured globally to insert the relay agent information option into the DHCP packet. DHCP relay agent 2 is configured to add its own relay agent information option, including the VPN information, and to encapsulate the relay agent information option received from DHCP relay agent 1. The DHCP server receives the relay agent information options from both relay agents and uses this information to assign IP addresses and other configuration parameters and forwards them back to the client.

DHCP Relay Agent 1

```
ip dhcp relay information option
```

DHCP Relay Agent 2

```
ip dhcp relay information option
ip dhcp relay information option vpn
ip dhcp relay information option encapsulation
```

Example Configuring DHCP Smart Relay Agent Forwarding

In the following example, the router will forward the DHCP broadcast received on Ethernet interface 0/0 to the DHCP server (10.55.11.3), inserting 192.168.100.1 in the giaddr field of the DHCP packet. If the DHCP server has a scope or pool configured for the 192.168.100.0/24 network, it will respond; otherwise it will not respond.

Because the **ip dhcp smart-relay** global configuration command is configured, if the router sends three requests using 192.168.100.1 in the giaddr field, and doesn't get a response, it will move on and start using 172.16.31.254 in the giaddr field instead. Without the smart relay functionality, the route only uses 192.168.100.1 in the giaddr field.

```
ip dhcp smart-relay
!
interface ethernet0/0
 ip address 192.168.100.1 255.255.255.0
 ip address 172.16.31.254 255.255.255.0
 ip helper-address 10.55.11.3
!
```

Additional References

Related Documents

Related Topic	Document Title
Cisco IOS commands	Cisco IOS Master Commands List, All Releases
DHCP commands: complete command syntax, command modes, command history, defaults, usage guidelines, and examples	Cisco IOS IP Addressing Services Command Reference

Related Topic	Document Title
DHCP conceptual information	“DHCP Overview” module in the <i>Cisco IOS IP Addressing Configuration Guide</i>
DHCP server configuration	“Configuring the Cisco IOS DHCP Server” module in the <i>Cisco IOS IP Addressing Configuration Guide</i>
DHCP client configuration	“Configuring the Cisco IOS DHCP Client” module in the <i>Cisco IOS IP Addressing Configuration Guide</i>
DHCP server on-demand address pool manager configuration	“Configuring the DHCP Server On-Demand Address Pool Manager” module in the <i>Cisco IOS IP Addressing Configuration Guide</i>
DHCP advanced features	“Configuring DHCP Services for Accounting and Security” module in the <i>Cisco IOS IP Addressing Configuration Guide</i>
DHCP enhancements for edge-session management configuration	“Configuring DHCP Enhancements for Edge-Session Management” module in the <i>Cisco IOS IP Addressing Configuration Guide</i>
DHCP options	" DHCP Options" appendix in the Network Registrar User's Guide , Release 6.1.1
DHCP for IPv6	“Implementing DHCP for IPv6” module in the <i>Cisco IOS IPv6 Configuration Guide</i>

Standards

Standards	Title
No new or modified standards are supported by this functionality.	--

MIBs

MIBs	MIBs Link
No new or modified MIBs are supported by this feature.	To locate and download MIBs for selected platforms, Cisco IOS releases, and feature sets, use Cisco MIB Locator found at the following URL: http://www.cisco.com/go/mibs

RFCs

RFCs	Title
RFC 951	<i>Bootstrap Protocol (BOOTP)</i>

RFCs	Title
RFC 1542	<i>Clarifications and Extensions for the Bootstrap Protocol</i>
RFC 2131	<i>Dynamic Host Configuration Protocol</i>
RFC 2685	<i>Virtual Private Networks Identifier</i>
RFC 3046	<i>DHCP Relay Information Option</i>
RFC 5460	DHCPv6 Bulk Leasequery

Technical Assistance

Description	Link
The Cisco Support and Documentation website provides online resources to download documentation, software, and tools. Use these resources to install and configure the software and to troubleshoot and resolve technical issues with Cisco products and technologies. Access to most tools on the Cisco Support and Documentation website requires a Cisco.com user ID and password.	http://www.cisco.com/cisco/web/support/index.html

Feature Information for the Cisco IOS DHCP Relay Agent

The following table provides release information about the feature or features described in this module. This table lists only the software release that introduced support for a given feature in a given software release train. Unless noted otherwise, subsequent releases of that software release train also support that feature.

Use Cisco Feature Navigator to find information about platform support and Cisco software image support. To access Cisco Feature Navigator, go to www.cisco.com/go/cfn. An account on Cisco.com is not required.

Table 7 Feature Information for the Cisco IOS DHCP Relay Agent

Feature Name	Releases	Feature Information
DHCP Relay Option 82 Encapsulation	12.2(33)SRD	This feature allows a second DHCP relay agent to encapsulate the relay agent information

Feature Name	Releases	Feature Information
<p>option (option 82) from a prior relay agent, add its own option 82, and forward the packet to the DHCP server. The DHCP server can use the VPN information from the second relay agent along with the option 82 information from the first relay agent to send correct address assignments and other configuration parameters for the client devices based on the VRF, option 60, and encapsulated option 82. The following commands were modified by this feature:</p> <p>ip dhcp relay information policy, ip dhcp relay information policy-action.</p>	<p>DHCP Class Support for Client Identification</p>	<p>12.4(11)T</p> <p>This feature enhances the DHCP class mechanism to support options 60, 77, 124, and 125. These options identify the type of client sending the DHCP message. The DHCP relay agent can make forwarding decisions based on the content of the options in the DHCP message sent by the client.</p> <p>The following command was introduced by this feature:</p> <p>option hex.</p>

Feature Name	Releases	Feature Information
DHCPv4 Relay per Interface VPN ID Support	12.4(11)T	<p>The DHCPv4 Relay per Interface VPN ID Support feature allows the Cisco IOS DHCP relay agent to be configured per interface to override the global configuration of the ip dhcp relay information option vpn command. This feature allows subscribers with different relay information option VPN ID requirements on different interfaces to be reached from one Cisco router.</p> <p>The following command was introduced by this feature: ip dhcp relay information option vpn-id.</p>

Feature Name	Releases	Feature Information
DHCP Relay Option 82 per Interface Support	12.4(6)T 12.2(31)SB2 12.2(33)SRC	<p>This feature enables support for the DHCP relay agent information option (option 82) on a per interface basis. The interface configuration allows different DHCP servers, with different DHCP option 82 requirements to be reached from one Cisco router.</p> <p>The following commands were introduced by this feature:</p> <p>ip dhcp relay information check-reply, ip dhcp relay information option-insert, ip dhcp relay information policy-action.</p>

Feature Name	Releases	Feature Information
DHCP Subscriber Identifier Suboption of Option 82	12.3(14)T 12.2(28)SB 12.2(33)SRB	<p>This feature enables an ISP to add a unique identifier to the subscriber-identifier suboption of the relay agent information option.</p> <p>The following command was introduced by this feature: ip dhcp relay information option subscriber-id.</p>

Feature Name	Releases	Feature Information
DHCP Relay MPLS VPN Support	12.2(8) 12.2(28)SB 12.2(33)SRC	<p>DHCP relay support for MPLS VPNs enables a network administrator to conserve address space by allowing overlapping addresses. The relay agent can support multiple clients on different VPNs, and many of these clients from different VPNs can share the same IP address.</p> <p>The following commands were modified by this feature: ip dhcp relay information option, ip helper address.</p>

Feature Name	Releases	Feature Information
DHCPv6 Bulk Lease query	15.1(1)S	<p>Cisco IOS DHCPv6 relay agent supports bulk lease query in accordance with RFC 5460.</p> <p>The following commands were introduced or modified by this feature:</p> <p>debug ipv6 dhcp relay , ipv6 dhcp-relay bulk-lease.</p>

Glossary

client --A host trying to configure its interface (obtain an IP address) using DHCP or BOOTP protocols.

DHCP --Dynamic Host Configuration Protocol.

giaddr --Gateway IP address. The giaddr field of the DHCP message provides the DHCP server with information about the IP address subnet on which the client is to reside. It also provides the DHCP server with an IP address where the response messages are to be sent.

MPLS --Multiprotocol Label Switching. Emerging industry standard upon which tag switching is based.

relay agent --A router that forwards DHCP and BOOTP messages between a server and a client on different subnets.

server --DHCP or BOOTP server.

VPN --Virtual Private Network. Enables IP traffic to use tunneling to travel securely over a public TCP/IP network.

VRF --VPN routing and forwarding instance. A VRF consists of an IP routing table, a derived forwarding table, a set of interfaces that use the forwarding table, and a set of rules and routing protocols that determine what goes into the forwarding table. In general, a VRF includes the routing information that defines a customer VPN site that is attached to a PE router. Each VPN instantiated on the PE router has its own VRF.

Cisco and the Cisco Logo are trademarks of Cisco Systems, Inc. and/or its affiliates in the U.S. and other countries. A listing of Cisco's trademarks can be found at www.cisco.com/go/trademarks. Third party

trademarks mentioned are the property of their respective owners. The use of the word partner does not imply a partnership relationship between Cisco and any other company. (1005R)

Any Internet Protocol (IP) addresses and phone numbers used in this document are not intended to be actual addresses and phone numbers. Any examples, command display output, network topology diagrams, and other figures included in the document are shown for illustrative purposes only. Any use of actual IP addresses or phone numbers in illustrative content is unintentional and coincidental.



Configuring the Cisco IOS DHCP Server

Cisco routers running Cisco IOS software include Dynamic Host Configuration Protocol (DHCP) server and relay agent software. The Cisco IOS DHCP server is a full DHCP server implementation that assigns and manages IP addresses from specified address pools within the router to DHCP clients. The DHCP server can be configured to assign additional parameters such as the IP address of the Domain Name System (DNS) server and the default router.

This module describes the concepts and the tasks needed to configure the Cisco IOS DHCP server.

- [Finding Feature Information, page 93](#)
- [Prerequisites for Configuring the DHCP Server, page 93](#)
- [Information About the Cisco IOS DHCP Server, page 94](#)
- [How to Configure the Cisco IOS DHCP Server, page 94](#)
- [Configuration Examples for the Cisco IOS DHCP Server, page 127](#)
- [Additional References, page 134](#)
- [Feature Information for the Cisco IOS DHCP Server, page 136](#)

Finding Feature Information

Your software release may not support all the features documented in this module. For the latest feature information and caveats, see the release notes for your platform and software release. To find information about the features documented in this module, and to see a list of the releases in which each feature is supported, see the Feature Information Table at the end of this document.

Use Cisco Feature Navigator to find information about platform support and Cisco software image support. To access Cisco Feature Navigator, go to www.cisco.com/go/cfn. An account on Cisco.com is not required.

Prerequisites for Configuring the DHCP Server

Before you configure the Cisco IOS DHCP server, you should understand the concepts documented in the “DHCP Overview” module.

The Cisco IOS DHCP server and relay agent are enabled by default. You can verify if they have been disabled by checking your configuration file. If they have been disabled, the **no service dhcp** command will appear in the configuration file. Use the **service dhcp** command to reenabte the functionality if necessary.

Port 67 (the server port) is closed in the Cisco IOS DHCP/BOOTP default configuration. There are two logical parts to the **service dhcp** command: service enabled and service running. The DHCP service is enabled by default, but port 67 is not opened until the DHCP service is running. If the service is running, the **show ip sockets details** or **show sockets detail** command displays port 67 as open.

The Cisco IOS DHCP relay agent will be enabled on an interface only when the **ip helper-address** is configured. This command enables the DHCP broadcast to be forwarded to the configured DHCP server.

Information About the Cisco IOS DHCP Server

- [Overview of the DHCP Server, page 12](#)
- [DHCP Attribute Inheritance, page 12](#)
- [DHCP Server Address Allocation Using Option 82, page 12](#)

Overview of the DHCP Server

The Cisco IOS DHCP server accepts address assignment requests and renewals and assigns the addresses from predefined groups of addresses contained within DHCP address pools. These address pools can also be configured to supply additional information to the requesting client such as the IP address of the DNS server, the default router, and other configuration parameters. The Cisco IOS DHCP server can accept broadcasts from locally attached LAN segments or from DHCP requests that have been forwarded by other DHCP relay agents within the network.

DHCP Attribute Inheritance

The DHCP server database is organized as a tree. The root of the tree is the address pool for natural networks, branches are subnetwork address pools, and leaves are manual bindings to clients. Subnetworks inherit network parameters and clients inherit subnetwork parameters. Therefore, common parameters (for example, the domain name) should be configured at the highest (network or subnetwork) level of the tree.

Inherited parameters can be overridden. For example, if a parameter is defined in both the natural network and a subnetwork, the definition of the subnetwork is used.

Address leases are not inherited. If a lease is not specified for an IP address, by default, the DHCP server assigns a one-day lease for the address.

DHCP Server Address Allocation Using Option 82

The Cisco IOS DHCP server can allocate dynamic IP addresses based on the relay information option (option 82) information sent by the relay agent.

Automatic DHCP address allocation is typically based on an IP address, whether it be the gateway address (giaddr field of the DHCP packet) or the incoming interface IP address. In some networks, it is necessary to use additional information to further determine which IP addresses to allocate. By using option 82, the Cisco IOS relay agent has long been able to include additional information about itself when forwarding client-originated DHCP packets to a DHCP server. The Cisco IOS DHCP server can also use option 82 as a means to provide additional information to properly allocate IP addresses to DHCP clients.

How to Configure the Cisco IOS DHCP Server

- [Configuring a DHCP Database Agent or Disabling Conflict Logging, page 13](#)
- [Excluding IP Addresses, page 14](#)
- [Configuring DHCP Address Pools, page 15](#)

- [Configuring Manual Bindings](#), page 27
- [Configuring DHCP Static Mapping](#), page 29
- [Customizing DHCP Server Operation](#), page 34
- [Configuring a Remote Router to Import DHCP Server Options from a Central DHCP Server](#), page 35
- [Configuring DHCP Address Allocation Using Option 82](#), page 38
- [Configuring a Static Route with the Next Hop Dynamically Obtained Through DHCP](#), page 43
- [Clearing DHCP Server Variables](#), page 44

Configuring a DHCP Database Agent or Disabling Conflict Logging

Perform this task to configure a DHCP database agent.

A DHCP database agent is any host (for example, an FTP, TFTP, or rcp server) or storage media on the DHCP server (for example, disk0) that stores the DHCP bindings database. You can configure multiple DHCP database agents, and you can configure the interval between database updates and transfers for each agent.

Automatic bindings are IP addresses that have been automatically mapped to the MAC addresses of hosts that are found in the DHCP database. Automatic binding information (such as lease expiration date and time, interface index, and VPN routing and forwarding [VRF] name) is stored on a database agent. The bindings are saved as text records for easy maintenance.

An address conflict occurs when two hosts use the same IP address. During address assignment, DHCP checks for conflicts using ping and gratuitous Address Resolution Protocol (ARP). If a conflict is detected, the address is removed from the pool. The address will not be assigned until the administrator resolves the conflict.



Note

We strongly recommend using database agents. However, the Cisco IOS server can run without them. If you choose not to configure a DHCP database agent, disable the recording of DHCP address conflicts on the DHCP server by using the **no ip dhcp conflict logging** command in global configuration mode. If there is conflict logging but no database agent configured, bindings are lost across router reboots. Possible false conflicts can occur causing the address to be removed from the address pool until the network administrator intervenes.

>

SUMMARY STEPS

1. **enable**
2. **configure terminal**
3. Do one of the following:
 - **ip dhcp database** *url* [**timeout** *seconds* | **write-delay** *seconds*]
 - or
 - **no ip dhcp conflict logging**

DETAILED STEPS

Command or Action	Purpose
<p>Step 1 <code>enable</code></p> <p>Example:</p> <pre>Router> enable</pre>	<p>Enables privileged EXEC mode.</p> <ul style="list-style-type: none"> • Enter your password if prompted.
<p>Step 2 <code>configure terminal</code></p> <p>Example:</p> <pre>Router# configure terminal</pre>	<p>Enters global configuration mode.</p>
<p>Step 3 Do one of the following:</p> <ul style="list-style-type: none"> • <code>ip dhcp database url [timeout seconds write-delay seconds]</code> • or • <code>no ip dhcp conflict logging</code> <p>Example:</p> <pre>Router(config)# ip dhcp database ftp://user:password@172.16.1.1/ router-dhcp timeout 80</pre> <p>Example:</p> <pre>Router(config)# no ip dhcp conflict logging</pre>	<p>Configures a DHCP server to save automatic bindings on a remote host called a database agent.</p> <p>or</p> <p>Disables DHCP address conflict logging.</p>

Excluding IP Addresses

Perform this task to specify IP addresses (excluded addresses) that the DHCP server should not assign to clients.

The IP address configured on the router interface is automatically excluded from the DHCP address pool. The DHCP server assumes that all other IP addresses in a DHCP address pool subnet are available for assigning to DHCP clients.

You need to exclude addresses from the pool if the DHCP server should not allocate those IP addresses. An example usage scenario is when two DHCP servers are set up to service the same network segment (subnet) for redundancy. If the two DHCP servers do not coordinate their services with each other using a protocol such as DHCP failover, then each DHCP server must be configured to allocate from a nonoverlapping set of addresses in the shared subnet. See the "Configuring Manual Bindings Example" section for a configuration example.

SUMMARY STEPS

1. **enable**
2. **configure terminal**
3. **ip dhcp excluded-address** *low-address* [*high-address*]

DETAILED STEPS

Command or Action	Purpose
Step 1 enable Example: <pre>Router> enable</pre>	Enables privileged EXEC mode. <ul style="list-style-type: none"> • Enter your password if prompted.
Step 2 configure terminal Example: <pre>Router# configure terminal</pre>	Enters global configuration mode.
Step 3 ip dhcp excluded-address <i>low-address</i> [<i>high-address</i>] Example: <pre>Router(config)# ip dhcp excluded-address 172.16.1.100 172.16.1.103</pre>	Specifies the IP addresses that the DHCP server should not assign to DHCP clients.

Configuring DHCP Address Pools

- [Configuring a DHCP Address Pool, page 15](#)
- [Configuring a DHCP Address Pool with Secondary Subnets, page 20](#)
- [Troubleshooting Tips, page 25](#)
- [Verifying the DHCP Address Pool Configuration, page 25](#)

Configuring a DHCP Address Pool

Perform this task to configure a DHCP address pool. On a per-address pool basis, specify DHCP options for the client as necessary.

You can configure a DHCP address pool with a name that is a symbolic string (such as “engineering”) or an integer (such as 0). Configuring a DHCP address pool also puts the router into DHCP pool configuration mode--identified by the (dhcp-config)# prompt--from which you can configure pool parameters (for example, the IP subnet number and default router list).

DHCP defines a process by which the DHCP server knows the IP subnet in which the DHCP client resides, and it can assign an IP address from a pool of valid IP addresses in that subnet. The process by which the

DHCP server identifies which DHCP address pool to use to service a client request is described in the "Configuring Manual Bindings" task.

The DHCP server identifies which DHCP address pool to use to service a client request as follows:

- If the client is not directly connected (the giaddr field of the DHCPDISCOVER broadcast message is nonzero), the DHCP server matches the DHCPDISCOVER with a DHCP pool that has the subnet that contains the IP address in the giaddr field.
- If the client is directly connected (the giaddr field is zero), the DHCP server matches the DHCPDISCOVER with DHCP pools that contain the subnets configured on the receiving interface. If the interface has secondary IP addresses, the subnets associated with the secondary IP addresses are examined for possible allocation only after the subnet associated with the primary IP address (on the interface) is exhausted.

Cisco IOS DHCP server software supports advanced capabilities for IP address allocation. See the "Configuring DHCP Address Allocation Using Option" section for more information.

Before you configure the DHCP address pool, you need to:

- Identify DHCP options for devices where necessary, including the following:
 - Default boot image name
 - Default routers
 - DNS servers
 - NetBIOS name server
 - Primary subnet
 - Secondary subnets and subnet-specific default router lists (see "Configuring a DHCP Address Pool with Secondary Subnets" for information on secondary subnets).
- Decide on a NetBIOS node type (b, p, m, or h).
- Decide on a DNS domain name.



Note

You cannot configure manual bindings within the same pool that is configured with the **network** DHCP pool configuration command. To configure manual bindings, see "Configuring Manual Bindings".

SUMMARY STEPS

1. **enable**
2. **configure terminal**
3. **ip dhcp pool** *name*
4. **utilization mark high** *percentage-number* [**log**]
5. **utilization mark low** *percentage-number* [**log**]
6. **network** *network-number* [{*mask* | /*prefix-length*} [**secondary**]]
7. **domain-name** *domain*
8. **dns-server** *address* [*address2* ... *address8*]
9. **bootfile** *filename*
10. **next-server** *address* [*address2* ... *address8*]
11. **netbios-name-server** *address* [*address2* ... *address8*]
12. **netbios-node-type** *type*
13. **default-router** *address* [*address2* ... *address8*]
14. **option** *code* [**instance number**] {*ascii string* | **hex string** | *ip-address*}
15. **lease** {*days* [*hours* [*minutes*]] | **infinite**}
16. **end**

DETAILED STEPS

	Command or Action	Purpose
Step 1	<p>enable</p> <p>Example:</p> <pre>Router> enable</pre>	<p>Enables privileged EXEC mode.</p> <ul style="list-style-type: none"> • Enter your password if prompted.
Step 2	<p>configure terminal</p> <p>Example:</p> <pre>Router# configure terminal</pre>	<p>Enters global configuration mode.</p>
Step 3	<p>ip dhcp pool <i>name</i></p> <p>Example:</p> <pre>Router(config)# ip dhcp pool 1</pre>	<p>Creates a name for the DHCP server address pool and enters DHCP pool configuration mode.</p>

Command or Action	Purpose
<p>Step 4 utilization mark high <i>percentage-number</i> [log]</p> <p>Example:</p> <pre>Router(dhcp-config)# utilization mark high 80 log</pre>	<p>(Optional) Configures the high utilization mark of the current address pool size.</p> <ul style="list-style-type: none"> The log keyword enables the logging of a system message. A system message will be generated for a DHCP pool when the pool utilization exceeds the configured high utilization threshold.
<p>Step 5 utilization mark low <i>percentage-number</i> [log]</p> <p>Example:</p> <pre>Router(dhcp-config)# utilization mark low 70 log</pre>	<p>(Optional) Configures the low utilization mark of the current address pool size.</p> <ul style="list-style-type: none"> The log keyword enables the logging of a system message. A system message will be generated for a DHCP pool when the pool utilization falls below the configured low utilization threshold.
<p>Step 6 network <i>network-number</i> [{<i>mask</i> /<i>prefix-length</i>}] [secondary]</p> <p>Example:</p> <pre>Router(dhcp-config)# network 172.16.0.0 /16</pre>	<p>Specifies the subnet network number and mask of the DHCP address pool.</p>
<p>Step 7 domain-name <i>domain</i></p> <p>Example:</p> <pre>Router(dhcp-config)# domain-name cisco.com</pre>	<p>Specifies the domain name for the client.</p>
<p>Step 8 dns-server <i>address</i> [<i>address2</i> ... <i>address8</i>]</p> <p>Example:</p> <pre>Router(dhcp-config)# dns server 172.16.1.103 172.16.2.103</pre>	<p>Specifies the IP address of a DNS server that is available to a DHCP client.</p> <ul style="list-style-type: none"> One IP address is required; however, you can specify up to eight IP addresses in one command line. Servers should be listed in order of preference.
<p>Step 9 bootfile <i>filename</i></p> <p>Example:</p> <pre>Router(dhcp-config)# bootfile xllboot</pre>	<p>(Optional) Specifies the name of the default boot image for a DHCP client.</p> <ul style="list-style-type: none"> The boot file is used to store the boot image for the client. The boot image is generally the operating system the client uses to load.

Command or Action	Purpose
<p>Step 10 <code>next-server address [address2 ... address8]</code></p> <p>Example:</p> <pre>Router(dhcp-config)# next-server 172.17.1.103 172.17.2.103</pre>	<p>(Optional) Configures the next server in the boot process of a DHCP client.</p> <ul style="list-style-type: none"> • If multiple servers are specified, DHCP assigns them to clients in round-robin order. The first client gets address 1, the next client gets address 2, and so on. • If this command is not configured, DHCP uses the server specified by the ip helper address command as the boot server.
<p>Step 11 <code>netbios-name-server address [address2 ... address8]</code></p> <p>Example:</p> <pre>Router(dhcp-config)# netbios-name- server 172.16.1.103 172.16.2.103</pre>	<p>(Optional) Specifies the NetBIOS WINS server that is available to a Microsoft DHCP client.</p> <ul style="list-style-type: none"> • One address is required; however, you can specify up to eight addresses in one command line. • Servers should be listed in order of preference.
<p>Step 12 <code>netbios-node-type type</code></p> <p>Example:</p> <pre>Router(dhcp-config)# netbios-node- type h-node</pre>	<p>(Optional) Specifies the NetBIOS node type for a Microsoft DHCP client.</p>
<p>Step 13 <code>default-router address [address2 ... address8]</code></p> <p>Example:</p> <pre>Router(dhcp-config)# default-router 172.16.1.100 172.16.1.101</pre>	<p>(Optional) Specifies the IP address of the default router for a DHCP client.</p> <ul style="list-style-type: none"> • The IP address should be on the same subnet as the client. • One IP address is required; however, you can specify up to eight IP addresses in one command line. These default routers are listed in order of preference; that is, <i>address</i> is the most preferred router, <i>address2</i> is the next most preferred router, and so on. • When a DHCP client requests an IP address, the router--acting as a DHCP server--accesses the default router list to select another router that the DHCP client is to use as the first hop for forwarding messages. After a DHCP client has booted, the client begins sending packets to its default router.
<p>Step 14 <code>option code [instance number] {ascii string hex string ip-address}</code></p> <p>Example:</p> <pre>Router(dhcp-config)# option 19 hex 01</pre>	<p>(Optional) Configures DHCP server options.</p>

Command or Action	Purpose
<p>Step 15 <code>lease {days [hours [minutes]] infinite}</code></p> <p>Example:</p> <pre>Router(dhcp-config)# lease 30</pre>	<p>(Optional) Specifies the duration of the lease.</p> <ul style="list-style-type: none"> The default is a one-day lease. The infinite keyword specifies that the duration of the lease is unlimited.
<p>Step 16 <code>end</code></p> <p>Example:</p> <pre>Router(dhcp-config)# end</pre>	<p>Returns to global configuration mode.</p>

Configuring a DHCP Address Pool with Secondary Subnets

Perform this task to configure a DHCP address pool with secondary subnets.

For any DHCP pool, you can configure a primary subnet and any number of secondary subnets. Each subnet is a range of IP addresses that the router uses to allocate an IP address to a DHCP client. The DHCP server multiple subnet functionality enables a Cisco IOS DHCP server address pool to manage additional IP addresses by adding the addresses to a secondary subnet of an existing DHCP address pool (instead of using a separate address pool).

Configuring a secondary DHCP subnetwork places the router in DHCP pool secondary subnet configuration mode—identified by the `(config-dhcp-subnet-secondary)#` prompt—from which you can configure a default address list that is specific to the secondary subnet. You can also specify the utilization rate of the secondary subnet, which allows pools of IP addresses to dynamically increase or reduce in size depending on the address utilization level. This setting overrides the global utilization rate.

If the DHCP server selects an address pool that contains multiple subnets, the DHCP server allocates an IP address from the subnets as follows:

- When the DHCP server receives an address assignment request, it looks for a free address in the primary subnet.
- When the primary subnet is exhausted, the DHCP server automatically looks for a free address in any secondary subnets maintained by the DHCP server (even though the giaddr does not necessarily match the secondary subnet). The server inspects the subnets for address availability in the order in which the subnets were added to the pool.
- If the giaddr matches a secondary subnet in the pool, the DHCP server allocates an IP address from that secondary subnet (even if IP addresses are available in the primary subnet and irrespective of the order in which secondary subnets were added).

SUMMARY STEPS

1. **enable**
2. **configure terminal**
3. **ip dhcp pool** *name*
4. **utilization mark high** *percentage-number* [**log**]
5. **utilization mark low** *percentage-number* [**log**]
6. **network** *network-number* [*mask* | / *prefix-length*]
7. **domain-name** *domain*
8. **dns-server** *address* [*address2* ... *address8*]
9. **bootfile** *filename*
10. **next-server** *address* [*address2* ... *address8*]
11. **netbios-name-server** *address* [*address2* ... *address8*]
12. **netbios-node-type** *type*
13. **default-router** *address* [*address2* ... *address8*]
14. **option** *code* [*instance number*] { *ascii string* | *hex string* | *ip-address* }
15. **lease** { *days* [*hours*] [*minutes*] | **infinite** }
16. **network** *network-number* [{ *mask* | / *preix-length* } [**secondary**]]
17. **override default-router** *address* [*address2* ... *address8*]
18. **override utilization high** *percentage-numer*
19. **override utilization low** *percentage-number*
20. **end**

DETAILED STEPS

	Command or Action	Purpose
Step 1	enable Example: Router> enable	Enables privileged EXEC mode. <ul style="list-style-type: none"> • Enter your password if prompted.
Step 2	configure terminal Example: Router# configure terminal	Enters global configuration mode.
Step 3	ip dhcp pool <i>name</i> Example: Router(config)# ip dhcp pool 1	Creates a name for the DHCP server address pool and enters DHCP pool configuration mode.

Command or Action	Purpose
<p>Step 4 utilization mark high <i>percentage-number</i> [log]</p> <p>Example:</p> <pre>Router(dhcp-config)# utilization mark high 80 log</pre>	<p>(Optional) Configures the high utilization mark of the current address pool size.</p> <ul style="list-style-type: none"> The log keyword enables the logging of a system message. A system message will be generated for a DHCP pool when the pool utilization exceeds the configured high utilization threshold.
<p>Step 5 utilization mark low <i>percentage-number</i> [log]</p> <p>Example:</p> <pre>Router(dhcp-config)# utilization mark low 70 log</pre>	<p>(Optional) Configures the low utilization mark of the current address pool size.</p> <ul style="list-style-type: none"> The log keyword enables the logging of a system message. A system message will be generated for a DHCP pool when the pool utilization falls below the configured low utilization threshold.
<p>Step 6 network <i>network-number</i> [<i>mask</i> /<i>prefix-length</i>]</p> <p>Example:</p> <pre>Router(dhcp-config)# network 172.16.0.0 /16</pre>	<p>Specifies the subnet network number and mask of the DHCP address pool.</p>
<p>Step 7 domain-name <i>domain</i></p> <p>Example:</p> <pre>Router(dhcp-config)# domain-name cisco.com</pre>	<p>Specifies the domain name for the client.</p>
<p>Step 8 dns-server <i>address</i> [<i>address2</i> ... <i>address8</i>]</p> <p>Example:</p> <pre>Router(dhcp-config)# dns server 172.16.1.103 172.16.2.103</pre>	<p>Specifies the IP address of a DNS server that is available to a DHCP client.</p> <ul style="list-style-type: none"> One IP address is required; however, you can specify up to eight IP addresses in one command line. Servers should be listed in order of preference.
<p>Step 9 bootfile <i>filename</i></p> <p>Example:</p> <pre>Router(dhcp-config)# bootfile xllboot</pre>	<p>(Optional) Specifies the name of the default boot image for a DHCP client.</p> <ul style="list-style-type: none"> The boot file is used to store the boot image for the client. The boot image is generally the operating system the client uses to load.

Command or Action	Purpose
<p>Step 10 <code>next-server address [address2 ... address8]</code></p> <p>Example:</p> <pre>Router(dhcp-config)# next-server 172.17.1.103 172.17.2.103</pre>	<p>(Optional) Configures the next server in the boot process of a DHCP client.</p> <ul style="list-style-type: none"> • If multiple servers are specified, DHCP assigns them to clients in round-robin order. The first client gets address 1, the next client gets address 2, and so on. • If this command is not configured, DHCP uses the server specified by the ip helper address command as the boot server.
<p>Step 11 <code>netbios-name-server address [address2 ... address8]</code></p> <p>Example:</p> <pre>Router(dhcp-config)# netbios- name-server 172.16.1.103 172.16.2.103</pre>	<p>(Optional) Specifies the NetBIOS Windows Internet Naming Service (WINS) server that is available to a Microsoft DHCP client.</p> <ul style="list-style-type: none"> • One address is required; however, you can specify up to eight addresses in one command line. • Servers should be listed in order of preference.
<p>Step 12 <code>netbios-node-type type</code></p> <p>Example:</p> <pre>Router(dhcp-config)# netbios- node-type h-node</pre>	<p>(Optional) Specifies the NetBIOS node type for a Microsoft DHCP client.</p>
<p>Step 13 <code>default-router address [address2 ... address8]</code></p> <p>Example:</p> <pre>Router(dhcp-config)# default- router 172.16.1.100 172.16.1.101</pre>	<p>(Optional) Specifies the IP address of the default router for a DHCP client.</p> <ul style="list-style-type: none"> • The IP address should be on the same subnet as the client. • One IP address is required; however, you can specify a up to eight IP addresses in one command line. These default routers are listed in order of preference; that is, <i>address</i> is the most preferred router, <i>address2</i> is the next most preferred router, and so on. • When a DHCP client requests an IP address, the router--acting as a DHCP server--accesses the default router list to select another router that the DHCP client is to use as the first hop for forwarding messages. After a DHCP client has booted, the client begins sending packets to its default router.
<p>Step 14 <code>option code [instance number] {ascii string hex string ip-address}</code></p> <p>Example:</p> <pre>Router(dhcp-config)# option 19 hex 01</pre>	<p>(Optional) Configures DHCP server options.</p>

Command or Action	Purpose
<p>Step 15 <code>lease {days [hours] [minutes]} infinite</code></p> <p>Example:</p> <pre>Router(dhcp-config)# lease 30</pre>	<p>(Optional) Specifies the duration of the lease.</p> <ul style="list-style-type: none"> The default is a one-day lease. The infinite keyword specifies that the duration of the lease is unlimited.
<p>Step 16 <code>network network-number [{mask /preix-length}] [secondary]</code></p> <p>Example:</p> <pre>Router(dhcp-config)# network 10.10.0.0 255.255.0.0 secondary</pre>	<p>(Optional) Specifies the network number and mask of a secondary DHCP server address pool.</p> <ul style="list-style-type: none"> Any number of secondary subnets can be added to the DHCP server address pool. During execution of this command, the configuration mode changes to DHCP pool secondary subnet configuration mode, which is identified by the (config-dhcp-subnet-secondary)# prompt. In this mode, the administrator can configure a default router list that is specific to the subnet. See "Troubleshooting Tips" if you are using secondary IP addresses under a loopback interface with DHCP secondary subnets.
<p>Step 17 <code>override default-router address [address2 ... address8]</code></p> <p>Example:</p> <pre>Router(config-dhcp-subnet-secondary)# override default-router 10.10.0.100 10.10.0.101</pre>	<p>(Optional) Specifies the default router list that is used when an IP address is assigned to a DHCP client from this secondary subnet.</p> <ul style="list-style-type: none"> If this subnet-specific override value is configured, it is used when assigning an IP address from the subnet; the network-wide default router list is used only to set the gateway router for the primary subnet. If this subnet-specific override value is not configured, the network-wide default router list is used when assigning an IP address from the subnet. See "Configuring a DHCP Address Pool with Multiple Disjoint Subnets Example" for an example configuration.
<p>Step 18 <code>override utilization high percentage-number</code></p> <p>Example:</p> <pre>Router(config-dhcp-subnet-secondary)# override utilization high 60</pre>	<p>(Optional) Sets the high utilization mark of the subnet size.</p> <ul style="list-style-type: none"> This command overrides the global default setting specified by the utilization mark high global configuration command.
<p>Step 19 <code>override utilization low percentage-number</code></p> <p>Example:</p> <pre>Router(config-dhcp-subnet-secondary)# override utilization low 40</pre>	<p>(Optional) Sets the low utilization mark of the subnet size.</p> <ul style="list-style-type: none"> This command overrides the global default setting specified by the utilization mark low global configuration command.

Command or Action	Purpose
Step 20 end Example: Router(config-dhcp-subnet-secondary)# end	Returns to privileged EXEC mode.

Troubleshooting Tips

If you are using secondary IP addresses under a single loopback interface and using secondary subnets under a DHCP pool, use one DHCP pool to configure networks for all the secondary subnets instead of one pool per secondary subnet. The **network** *network-number* [*{mask | /prefix-length}*] [**secondary**] command must be configured under a single DHCP address pool rather than multiple DHCP address pools.

The following is the correct configuration:

```
!
ip dhcp pool dhcp_1
 network 172.16.1.0 255.255.255.0
 network 172.16.2.0 255.255.255.0 secondary
 network 172.16.3.0 255.255.255.0 secondary
 network 172.16.4.0 255.255.255.0 secondary
!
interface Loopback111
 ip address 172.16.1.1 255.255.255.255 secondary
 ip address 172.16.2.1 255.255.255.255 secondary
 ip address 172.16.3.1 255.255.255.255 secondary
 ip address 172.16.4.1 255.255.255.255 secondary
```

The following is the incorrect configuration:

```
!
ip dhcp pool dhcp_1
 network 172.16.1.0 255.255.255.0
 lease 1 20 30
 accounting default
!
ip dhcp pool dhcp_2
 network 172.16.2.0 255.255.255.0
 lease 1 20 30
 accounting default
!
ip dhcp pool dhcp_3
 network 172.16.3.0 255.255.255.0
 lease 1 20 30
 accounting default
!
ip dhcp pool dhcp_4
 network 172.16.4.0 255.255.255.0
 lease 1 20 30
 accounting default
!
interface Loopback111
 ip address 172.16.1.1 255.255.255.255 secondary
 ip address 172.16.2.1 255.255.255.255 secondary
 ip address 172.16.3.1 255.255.255.255 secondary
 ip address 172.16.4.1 255.255.255.255 secondary
```

Verifying the DHCP Address Pool Configuration

Perform this task to verify the DHCP address pool configuration. These show commands need not be entered in any specific order.

SUMMARY STEPS

1. **enable**
2. **show ip dhcp pool** [*name*]
3. **show ip dhcp binding** [*address*]
4. **show ip dhcp conflict** [*address*]
5. **show ip dhcp database** [*url*]
6. **show ip dhcp server statistics** [*type-number*]

DETAILED STEPS

Command or Action	Purpose
<p>Step 1 enable</p> <p>Example:</p> <pre>Router> enable</pre>	<p>Enables privileged EXEC mode.</p> <ul style="list-style-type: none"> • Enter your password if prompted.
<p>Step 2 show ip dhcp pool [<i>name</i>]</p> <p>Example:</p> <pre>Router# show ip dhcp pool</pre>	<p>(Optional) Displays information about DHCP address pools.</p>
<p>Step 3 show ip dhcp binding [<i>address</i>]</p> <p>Example:</p> <pre>Router# show ip dhcp binding</pre>	<p>(Optional) Displays a list of all bindings created on a specific DHCP server.</p> <ul style="list-style-type: none"> • Use the show ip dhcp binding command to display the IP addresses that have already been assigned. Verify that the address pool has not been exhausted. If necessary, re-create the pool to create a larger pool of addresses. • Use the show ip dhcp binding command to display the lease expiration date and time of the IP address of the host.
<p>Step 4 show ip dhcp conflict [<i>address</i>]</p> <p>Example:</p> <pre>Router# show ip dhcp conflict</pre>	<p>(Optional) Displays a list of all address conflicts.</p>
<p>Step 5 show ip dhcp database [<i>url</i>]</p> <p>Example:</p> <pre>Router# show ip dhcp database</pre>	<p>(Optional) Displays recent activity on the DHCP database.</p>

Command or Action	Purpose
Step 6 <code>show ip dhcp server statistics [type-number]</code> Example: Router# <code>show ip dhcp server statistics</code>	(Optional) Displays count information about server statistics and messages sent and received.

Configuring Manual Bindings

An address binding is a mapping between the IP address and MAC address of a client. The IP address of a client can be assigned manually by an administrator or assigned automatically from a pool by a DHCP server.

Manual bindings are IP addresses that have been manually mapped to the MAC addresses of hosts that are found in the DHCP database. Manual bindings are stored in NVRAM on the DHCP server. Manual bindings are just special address pools. There is no limit on the number of manual bindings, but you can configure only one manual binding per host pool.

Automatic bindings are IP addresses that have been automatically mapped to the MAC addresses of hosts that are found in the DHCP database. Because the bindings are stored in volatile memory on the DHCP server, binding information is lost in the event of a power failure or upon router reload for any other reason. To prevent the loss of automatic binding information in such an event, store a copy of the automatic binding information on a remote host called a DHCP database agent. The bindings are periodically written to the database agent. If the router reloads, the bindings are read back from the database agent to the DHCP database on the DHCP server.



Note

We strongly recommend using database agents. However, the Cisco IOS DHCP server can function without database agents.

Some DHCP clients send a client identifier (DHCP option 61) in the DHCP packet. To configure manual bindings for such clients, you must enter the **client-identifier** DHCP pool configuration command with the appropriate hexadecimal values identifying the DHCP client. To configure manual bindings for clients who do not send a client identifier option, you must enter the **hardware-address** DHCP pool configuration command with the appropriate hexadecimal hardware address of the client.

In Cisco IOS Release 12.4(22)T and later releases the DHCP server sends infinite lease time to the clients for which manual bindings are configured.

In Cisco IOS Release 15.1(1)S1 and later releases, the DHCP server sends lease time configured using the **lease** command to the clients for which manual bindings are configured.



Note

You cannot configure manual bindings within the same pool that is configured with the **network** command in DHCP pool configuration mode. See the "Configuring DHCP Address Pools" section for information about DHCP address pools and the **network** command.

SUMMARY STEPS

1. **enable**
2. **configure terminal**
3. **ip dhcp pool** *pool-name*
4. **host** *address* [*mask* | *prefix-length*]
5. **client-identifier** *unique-identifier*
6. **hardware-address** *hardware-address* [*protocol-type* | *hardware-number*]
7. **client-name** *name*

DETAILED STEPS

Command or Action	Purpose
Step 1 enable Example: Router> enable	Enables privileged EXEC mode. <ul style="list-style-type: none"> • Enter your password if prompted.
Step 2 configure terminal Example: Router# configure terminal	Enters global configuration mode.
Step 3 ip dhcp pool <i>pool-name</i> Example: Router(config)# ip dhcp pool pool1	Creates a name for the DHCP server address pool and places you in DHCP pool configuration mode.
Step 4 host <i>address</i> [<i>mask</i> <i>prefix-length</i>] Example: Router(dhcp-config)# host 172.16.0.1	Specifies the IP address and subnet mask of the client. <ul style="list-style-type: none"> • There is no limit on the number of manual bindings but you can configure only one manual binding per host pool.

Command or Action	Purpose
<p>Step 5 <code>client-identifier</code> <i>unique-identifier</i></p> <p>Example:</p> <pre>Router(dhcp-config)# client-identifier 01b7.0813.8811.66</pre>	<p>Specifies the unique identifier for DHCP clients.</p> <ul style="list-style-type: none"> This command is used for DHCP requests. DHCP clients require client identifiers. The unique identification of the client is specified in dotted hexadecimal notation; for example, 01b7.0813.8811.66, where 01 represents the Ethernet media type. See the "Troubleshooting Tips" section for information on how to determine the client identifier of the DHCP client. <p>Note The identifier specified here is considered for the DHCP clients who send a client identifier in the packet.</p>
<p>Step 6 <code>hardware-address</code> <i>hardware-address</i> [<i>protocol-type</i> <i>hardware-number</i>]</p> <p>Example:</p> <pre>Router(dhcp-config)# hardware-address b708.1388.f166 ethernet</pre>	<p>Specifies a hardware address for the client.</p> <ul style="list-style-type: none"> This command is used for BOOTP requests. <p>Note The hardware address specified here is considered for the DHCP clients who do not send a client identifier in the packet.</p>
<p>Step 7 <code>client-name</code> <i>name</i></p> <p>Example:</p> <pre>Router(dhcp-config)# client-name client1</pre>	<p>(Optional) Specifies the name of the client using any standard ASCII character.</p> <ul style="list-style-type: none"> The client name should not include the domain name. For example, the name client1 should not be specified as client1.cisco.com.

- [Troubleshooting Tips, page 29](#)

Troubleshooting Tips

You can determine the client identifier by using the **debug ip dhcp server packet** command. In the following example, the client is identified by the value 0b07.1134.a029:

```
Router# debug ip dhcp server packet

DHCPD:DHCPDISCOVER received from client 0b07.1134.a029 through relay 10.1.0.253.
DHCPD:assigned IP address 10.1.0.3 to client 0b07.1134.a029.
.
.
.
```

Configuring DHCP Static Mapping

The DHCP--Static Mapping feature enables assignment of static IP addresses without creating numerous host pools with manual bindings by using a customer-created text file that the DHCP server reads. The benefit of this feature is that it eliminates the need for a long configuration file and reduces the space required in NVRAM to maintain address pools.

This section contains the following task:

A DHCP database contains the mappings between a client IP address and hardware address, referred to as a binding. There are two types of bindings: manual bindings that map a single hardware address to a single IP

address, and automatic bindings that dynamically map a hardware address to an IP address from a pool of IP addresses. Manual (also known as static) bindings can be configured individually directly on the router or, by using the DHCP--Static Mapping feature, these static bindings can be read from a separate static mapping text file. The static mapping text files are read when a router reloads or the DHCP service restarts. These files are read-only.

The read static bindings are treated just like the manual bindings, in that they are:

- Retained across DHCPRELEASEs from the clients.
- Not timed out.
- Deleted only upon deletion of the pool.
- Provided appropriate exclusions for the contained addresses, which are created at the time of the read.

Just like automatic bindings and manual bindings, the static bindings from the static mapping text file are also displayed by using the **show ip dhcp binding** command.

Perform this task to create the static mapping text file. You will input your addresses in the text file, which is stored in the DHCP database for the DHCP server to read. There is no limit on the number of addresses in the file. The file format has the following elements:

- Time the file was created
- Database version number
- IP address
- Hardware type
- Hardware address
- Lease expiration
- End-of-file designator

See the table below for more details about the format of the text file.

The following is a sample static mapping text file:

```
*time* Jan 21 2005 03:52 PM
*version* 2
!IP address      Type      Hardware address      Lease expiration
10.0.0.4 /24     1         0090.bff6.081e       Infinite
10.0.0.5 /28     id        00b7.0813.88f1.66    Infinite
10.0.0.2 /21     1         0090.bff6.081d       Infinite
*end*
```

Table 8 **Static Mapping Text File Field Descriptions**

Field	Description
time	Specifies the time the file was created. This field allows DHCP to differentiate between newer and older database versions when multiple agents are configured. The valid format of the time is Mm dd yyyy hh:mm AM/PM.
version 2	Database version number.
IP address	Static IP address. If the subnet mask is not specified, a natural mask is assumed depending on the IP address. There must be a space between the IP address and mask.

Field	Description
Type	Specifies the hardware type. For example, type “1” indicates Ethernet. The type “id” indicates that the field is a DHCP client identifier. Legal values can be found online at http://www.iana.org/assignments/arp-parameters in the “Number Hardware Type” list.
Hardware address	<p>Specifies the hardware address.</p> <p>When the type is numeric, it refers to the hardware media. Legal values can be found online at http://www.iana.org/assignments/arp-parameters in the “Number Hardware Type” list.</p> <p>When the type is “id,” this means that we are matching on the client identifier.</p> <p>For more information about the client identifier, please see RFC 2132, <i>DHCP Options and BOOTP Vendor Extensions</i>, section 9.14, located at http://www.ietf.org/rfc/rfc2132.txt, or the client-identifier command reference page. .</p> <p>If you are unsure what client identifier to match on, use the debug dhcp detail command to display the client identifier being sent to the DHCP server from the client.</p>
Lease expiration	Specifies the expiration of the lease. “Infinite” specifies that the duration of the lease is unlimited.
end	End of file. DHCP uses the *end* designator to detect file truncation.

- [Configuring the DHCP Server to Read a Static Mapping Text File, page 31](#)

Configuring the DHCP Server to Read a Static Mapping Text File

Perform this task to configure the DHCP server to read the static mapping text file.

The administrator should create the static mapping text file in the correct format and configure the address pools before performing this task.

Before editing the file, you must disable the DHCP server using the **no service dhcp** command.



Note

The static bindings must not be deleted when a DHCPRELEASE is received or must not be timed out by the DHCP timer. The static bindings should be treated just like manual bindings created by using the **ip dhcp pool** command.

SUMMARY STEPS

1. **enable**
2. **configure terminal**
3. **ip dhcp pool** *name*
4. **origin file** *url*
5. **end**
6. **show ip dhcp binding** [*address*]

DETAILED STEPS

Command or Action	Purpose
<p>Step 1 enable</p> <p>Example:</p> <pre>Router> enable</pre>	<p>Enables privileged EXEC mode.</p> <ul style="list-style-type: none"> • Enter your password if prompted.
<p>Step 2 configure terminal</p> <p>Example:</p> <pre>Router# configure terminal</pre>	<p>Enters global configuration mode.</p>
<p>Step 3 ip dhcp pool <i>name</i></p> <p>Example:</p> <pre>Router(config)# ip dhcp pool pool1</pre>	<p>Assigns a name to a DHCP pool and enters DHCP configuration mode.</p> <p>Note If you have already configured the IP DHCP pool name using the ip dhcp pool command and the static file URL using the origin file command, you must perform a fresh read using the no service dhcp command and service dhcp command.</p>
<p>Step 4 origin file <i>url</i></p> <p>Example:</p> <pre>Router(dhcp-config)# origin file tftp://10.1.0.1/static-bindings</pre>	<p>Specifies the URL from which the DHCP server can locate the text file.</p>
<p>Step 5 end</p> <p>Example:</p> <pre>Router(dhcp-config)# end</pre>	<p>Returns to privileged EXEC mode.</p>

Command or Action	Purpose
Step 6 <code>show ip dhcp binding [address]</code> Example: Router# <code>show ip dhcp binding</code>	(Optional) Displays a list of all bindings created on a specific DHCP server.

Examples

The following example shows the address bindings that have been configured:

```
Router# show ip dhcp binding
00:05:14:%SYS-5-CONFIG_I: Configured from console by console
Bindings from all pools not associated with VRF:
IP address Client-ID/      Ls expir  Type   Hw address           User name
10.9.9.4/8  0063.7363.2d30.3036.  Infinite Static  302e.3762.2e39.3634.  632d.4574.8892.
10.9.9.1/24 0063.6973.636f.2d30.  Infinite Static  3036.302e.3437.3165.  2e64.6462.342d.
```

The following sample shows each entry in the static mapping text file:

```
*time* Jan 21 2005 22:52 PM
!IP address      Type      Hardware address           Lease expiration
10.19.9.1 /24    id        0063.6973.636f.2d30.3036.302e.3437
10.9.9.4         id        0063.7363.2d30.3036.302e.3762.2e39.3634.632d  Infinite
*end*
```

The following sample debug output shows the reading of the static mapping text file from the TFTP server:

```
Router# debug ip dhcp server
Loading abc/static_pool from 10.19.192.33 (via Ethernet0):
[OK - 333 bytes]
*May 26 23:14:21.259: DHCPD: contacting agent tftp://10.19.192.33/abc/static_pool
(attempt 0)
*May 26 23:14:21.467: DHCPD: agent tftp://10.19.192.33/abc/static_pool is responding.
*May 26 23:14:21.467: DHCPD: IFS is ready.
*May 26 23:14:21.467: DHCPD: reading bindings from                               tftp://
10.19.192.33/abc/static_pool.
*May 26 23:14:21.707: DHCPD: read 333 / 1024 bytes.
*May 26 23:14:21.707: DHCPD: parsing text line
*time* Apr 22 2002 11:31 AM
*May 26 23:14:21.707: DHCPD: parsing text line ""
*May 26 23:14:21.707: DHCPD: parsing text line
!IP address Type Hardware address Lease expiration
*May 26 23:14:21.707: DHCPD: parsing text line
"10.9.9.1 /24 id 0063.6973.636f.2d30.3036.302e.3437"
*May 26 23:14:21.707: DHCPD: creating binding for 10.9.9.1
*May 26 23:14:21.707: DHCPD: Adding binding to radix tree (10.9.9.1)
*May 26 23:14:21.707: DHCPD: Adding binding to hash tree
*May 26 23:14:21.707: DHCPD: parsing text line
"10.9.9.4 id 0063.7363.2d30.3036.302e.3762.2e39.3634.632d"
*May 26 23:14:21.711: DHCPD: creating binding for 10.9.9.4
*May 26 23:14:21.711: DHCPD: Adding binding to radix tree (10.9.9.4)
*May 26 23:14:21.711: DHCPD: Adding binding to hash tree
*May 26 23:14:21.711: DHCPD: parsing text line "Infinite"
*May 26 23:14:21.711: DHCPD: parsing text line ""
*May 26 23:14:21.711: DHCPD: parsing text line
!IP address Interface-index Lease expiration VRF
*May 26 23:14:21.711: DHCPD: parsing text line "**end*"
*May 26 23:14:21.711: DHCPD: read static bindings from tftp://10.19.192.33/abc/
static_pool.
```

Customizing DHCP Server Operation

By default, the DHCP server pings a pool address twice before assigning a particular address to a requesting client. If the ping is unanswered, the DHCP server assumes (with a high probability) that the address is not in use and assigns the address to the requesting client.

By default, the DHCP server waits 2 seconds before timing out a ping packet.

You can configure the DHCP server to ignore and not reply to received Bootstrap Protocol (BOOTP) requests. This functionality is beneficial when there is a mix of BOOTP and DHCP clients in a network segment and there is a BOOTP server and a Cisco IOS DHCP server servicing the network segment. The BOOTP server is configured with static bindings for the BOOTP clients and the BOOTP clients are intended to obtain their addresses from the BOOTP server. However, because a DHCP server can also respond to a BOOTP request, an address offer may be made by the DHCP server causing the BOOTP clients to boot with the address from the DHCP server, instead of the address from the BOOTP server. Configuring the DHCP server to ignore BOOTP requests means that the BOOTP clients will receive address information from the BOOTP server and will not inadvertently accept an address from a DHCP server.

The Cisco IOS software can forward these ignored BOOTP request packets to another DHCP server if the **ip helper-address** interface configuration command is configured on the incoming interface.

SUMMARY STEPS

1. **enable**
2. **configure terminal**
3. **ip dhcp ping packets** *number*
4. **ip dhcp ping timeout** *milliseconds*
5. **ip dhcp bootp ignore**

DETAILED STEPS

	Command or Action	Purpose
Step 1	enable Example: Router> enable	Enables privileged EXEC mode. <ul style="list-style-type: none"> • Enter your password if prompted.
Step 2	configure terminal Example: Router# configure terminal	Enters global configuration mode.

Command or Action	Purpose
<p>Step 3 <code>ip dhcp ping packets</code> <i>number</i></p> <p>Example:</p> <pre>Router(config)# ip dhcp ping packets 5</pre>	<p>(Optional) Specifies the number of ping packets the DHCP server sends to a pool address before assigning the address to a requesting client.</p> <ul style="list-style-type: none"> The default is two packets. Setting the <i>number</i> argument to a value of 0 disables the DHCP server ping operation completely.
<p>Step 4 <code>ip dhcp ping timeout</code> <i>milliseconds</i></p> <p>Example:</p> <pre>Router(config)# ip dhcp ping timeout 850</pre>	<p>(Optional) Specifies the amount of time the DHCP server waits for a ping reply from an address pool.</p>
<p>Step 5 <code>ip dhcp bootp ignore</code></p> <p>Example:</p> <pre>Router(config)# ip dhcp bootp ignore</pre>	<p>(Optional) Allows the DHCP server to selectively ignore and not reply to received BOOTP requests.</p> <ul style="list-style-type: none"> The <code>ip dhcp bootp ignore</code> command applies to all DHCP pools configured on the router. BOOTP requests cannot be selectively ignored on a per-DHCP pool basis.

Configuring a Remote Router to Import DHCP Server Options from a Central DHCP Server

The Cisco IOS DHCP server can dynamically configure options such as the DNS and WINS addresses to respond to DHCP requests from local clients behind the customer premises equipment (CPE). Previously, network administrators needed to manually configure the Cisco IOS DHCP server on each device. The Cisco IOS DHCP server was enhanced to allow configuration information to be updated automatically. Network administrators can configure one or more centralized DHCP servers to update specific DHCP options within the DHCP pools. The remote servers can request or “import” these option parameters from the centralized servers.

This section contains the following tasks:

- [Configuring the Central DHCP Server to Update DHCP Options, page 35](#)
- [Configuring the Remote Router to Import DHCP Options, page 36](#)

Configuring the Central DHCP Server to Update DHCP Options

Perform this task to configure the central DHCP server to update DHCP options.

SUMMARY STEPS

1. **enable**
2. **configure terminal**
3. **ip dhcp pool** *name*
4. **network** *network-number* [*mask* | / *prefix-length*]
5. **dns-server** *address* [*address2* ... *address8*]

DETAILED STEPS

Command or Action	Purpose
Step 1 enable Example: <pre>Router> enable</pre>	Enables privileged EXEC mode. <ul style="list-style-type: none"> • Enter your password if prompted.
Step 2 configure terminal Example: <pre>Router# configure terminal</pre>	Enters global configuration mode.
Step 3 ip dhcp pool <i>name</i> Example: <pre>Router(config)# ip dhcp pool 1</pre>	Creates a name for the DHCP server address pool and enters DHCP pool configuration mode.
Step 4 network <i>network-number</i> [<i>mask</i> / <i>prefix-length</i>] Example: <pre>Router(dhcp-config)# network 172.16.0.0 /16</pre>	Specifies the subnet network number and mask of the DHCP address pool.
Step 5 dns-server <i>address</i> [<i>address2</i> ... <i>address8</i>] Example: <pre>Router(dhcp-config)# dns server 172.16.1.103 172.16.2.103</pre>	(Optional) Specifies the IP address of a DNS server that is available to a DHCP client. <ul style="list-style-type: none"> • One IP address is required; however, you can specify up to eight IP addresses in one command line. • Servers should be listed in order of preference.

Configuring the Remote Router to Import DHCP Options

Perform this task to configure the remote router to import DHCP options from a central DHCP server.

SUMMARY STEPS

1. **enable**
2. **configure terminal**
3. **ip dhcp pool** *pool-name*
4. **network** *network-number* [*mask* | / *prefix-length*]
5. **import all**
6. **exit**
7. **interface** *type number*
8. **ip address dhcp**
9. **end**
10. **show ip dhcp import**

DETAILED STEPS

	Command or Action	Purpose
Step 1	enable Example: Router> enable	Enables privileged EXEC mode. <ul style="list-style-type: none"> • Enter your password if prompted.
Step 2	configure terminal Example: Router# configure terminal	Enters global configuration mode.
Step 3	ip dhcp pool <i>pool-name</i> Example: Router(config)# ip dhcp pool pool1	Creates a name for the DHCP server address pool and enters DHCP pool configuration mode.
Step 4	network <i>network-number</i> [<i>mask</i> / <i>prefix-length</i>] Example: Router(dhcp-config)# network 172.30.0.0 /16	Specifies the subnet network number and mask of the DHCP address pool.
Step 5	import all Example: Router(dhcp-config)# import all	Imports DHCP option parameters into the DHCP server database.

	Command or Action	Purpose
Step 6	exit Example: Router(dhcp-config)# exit	Exits DHCP pool configuration mode.
Step 7	interface <i>type number</i> Example: Router(config)# interface FastEthernet 0/0	Configures an interface and enters interface configuration mode.
Step 8	ip address dhcp Example: Router(config-if)# ip address dhcp	Specifies that the interface acquires an IP address through DHCP.
Step 9	end Example: Router(config-if)# end	Returns to privileged EXEC mode.
Step 10	show ip dhcp import Example: Router# show ip dhcp import	Displays the options that have been imported from the central DHCP server.

Configuring DHCP Address Allocation Using Option 82

- [DHCP Address Allocation Using Option 82 Feature Design, page 38](#)
- [Enabling Option 82 for DHCP Address Allocation, page 39](#)
- [Troubleshooting Tips, page 40](#)
- [Defining the DHCP Class and Relay Agent Information Patterns, page 40](#)
- [Troubleshooting Tips, page 41](#)
- [Defining the DHCP Address Pool, page 41](#)

DHCP Address Allocation Using Option 82 Feature Design

DHCP provides a framework for passing configuration information to hosts on a TCP/IP network. Configuration parameters and other control information are carried in tagged data items that are stored in the options field of the DHCP message. The data items themselves are also called options. Option 82 is organized as a single DHCP option that contains information known by the relay agent.

This feature is designed to allow the Cisco IOS DHCP server to use option 82 information to help determine which IP addresses to allocate to clients. The information sent via option 82 will be used to identify which port the DHCP request came in on. This feature does not parse out the individual suboptions contained within option 82. Rather, the address allocation is done by matching a configured pattern byte by byte.

The feature introduces a new DHCP class capability, which is a method to group DHCP clients based on some shared characteristics other than the subnet in which the clients reside.

In an example application, DHCP clients are connected to two ports of a single switch. Each port can be configured to be part of two VLANs: VLAN1 and VLAN2. DHCP clients belong to either VLAN1 or VLAN2 and it is assumed that the switch can differentiate the VLAN that a particular DHCP Discover message belongs to (possibly through Layer 2 encapsulation). Each VLAN has its own subnet and all DHCP messages from the same VLAN (same switch) will have the giaddr field set to the same value indicating the subnet of the VLAN.

The problem is that for a DHCP client connecting to port 1 of VLAN1, it must be allocated an IP address from one range within the VLAN's subnet, whereas a DHCP client connecting to port 2 of VLAN1 must be allocated an IP address from another range. Both these two IP address ranges are part of the same subnet (and have the same subnet mask). In the normal DHCP address allocation, the DHCP server will look only at the giaddr field and thus will not be able to differentiate between the two ranges.

To solve this problem, a relay agent residing at the switch inserts the relay information option (option 82), which carries information specific to the port, and the DHCP server must inspect both the giaddr field and the inserted option 82 during the address selection process.

The Cisco IOS software will look up a pool based on IP address (giaddr or incoming interface IP address) and then match the request to a class or classes configured in the pool in the order the classes are specified in the DHCP pool configuration.

When a DHCP address pool has been configured with one or more DHCP classes, the pool becomes a restricted access pool, which means that no addresses will be allocated from the pool unless one or more of the classes in the pool is matched. This design allows DHCP classes to be used for either access control (no default class is configured on the pool) or to provide further address range partitions with the subnet of the pool.

Multiple pools can be configured with the same class, eliminating the need to configure the same pattern in multiple pools.

The following capabilities are supported for DHCP class-based address allocation:

- Specifying the full relay agent information option value as a raw hexadecimal string by using the **relay-information hex** command in the new relay agent information configuration mode.
- Support for bitmasking the raw relay information hexadecimal value.
- Support for a wildcard at the end of the hexadecimal string specified by the **relay-information hex** command.

If the relay agent inserts option 82 but does not set the giaddr field in the DHCP packet, the DHCP server interface must be configured as a trusted interface by using the **ip dhcp relay information trusted** global configuration command. This configuration prevents the server from dropping the DHCP message.

Enabling Option 82 for DHCP Address Allocation

By default, the Cisco IOS DHCP server can use information provided by option 82 to allocate IP addresses. To reenble this capability if it has been disabled, perform the task described in this section.

SUMMARY STEPS

1. **enable**
2. **configure terminal**
3. **ip dhcp use class**

DETAILED STEPS

Command or Action	Purpose
Step 1 enable Example: <pre>Router> enable</pre>	Enables privileged EXEC mode. <ul style="list-style-type: none"> • Enter your password if prompted.
Step 2 configure terminal Example: <pre>Router# configure terminal</pre>	Enters global configuration mode.
Step 3 ip dhcp use class Example: <pre>Router(config)# ip dhcp use class</pre>	Controls whether DHCP classes are used for address allocation. <ul style="list-style-type: none"> • This functionality is enabled by default. • Use the no form of this command to disable this functionality without deleting the DHCP class configuration.

Troubleshooting Tips

If DHCP classes are configured in the pool, but the DHCP server does not make use of the classes, verify if the **no ip dhcp use class** command was configured.

Defining the DHCP Class and Relay Agent Information Patterns

Perform this task to define the DHCP class and relay agent information patterns.

You must know the hexadecimal value of each byte location in option 82 to be able to configure the **relay-information hex** command. The option 82 format may vary from product to product. Contact the relay agent vendor for this information.

SUMMARY STEPS

1. **enable**
2. **configure terminal**
3. **ip dhcp class *class-name***
4. **relay agent information**
5. **relay-information hex *pattern* [*] [bitmask *mask*]**
6. Repeat Steps 3 through 5 for each DHCP class you need to configure.

DETAILED STEPS

Command or Action	Purpose
<p>Step 1 <code>enable</code></p> <p>Example:</p> <pre>Router> enable</pre>	<p>Enables privileged EXEC mode.</p> <ul style="list-style-type: none"> Enter your password if prompted.
<p>Step 2 <code>configure terminal</code></p> <p>Example:</p> <pre>Router# configure terminal</pre>	<p>Enters global configuration mode.</p>
<p>Step 3 <code>ip dhcp class class-name</code></p> <p>Example:</p> <pre>Router(config)# ip dhcp class CLASS1</pre>	<p>Defines a DHCP class and enters DHCP class configuration mode.</p>
<p>Step 4 <code>relay agent information</code></p> <p>Example:</p> <pre>Router(dhcp-class)# relay agent information</pre>	<p>Enters relay agent information option configuration mode.</p> <ul style="list-style-type: none"> If this step is omitted, then the DHCP class matches to any relay agent information option, whether it is present or not.
<p>Step 5 <code>relay-information hex pattern [*] [bitmask mask]</code></p> <p>Example:</p> <pre>Router(dhcp-class-relayinfo)# relay-information hex 01030a0b0c02050000000123</pre>	<p>(Optional) Specifies a hexadecimal value for the full relay information option.</p> <ul style="list-style-type: none"> The <i>pattern</i> argument creates a pattern that is used to match to the DHCP class. If you omit this step, no pattern is configured and it is considered a match to any relay agent information option value, but the relay information option must be present in the DHCP packet. You can configure multiple relay-information hex commands in a DHCP class.
<p>Step 6 Repeat Steps 3 through 5 for each DHCP class you need to configure.</p>	<p>--</p>

Troubleshooting Tips

Use the `debug ip dhcp server class` command to display the class matching results.

Defining the DHCP Address Pool

Perform this task to define the DHCP address pool.

SUMMARY STEPS

1. **enable**
2. **configure terminal**
3. **ip dhcp pool** *name*
4. **network** *network-number* [*mask* | / *prefix-length*]
5. **class** *class-name*
6. **address range** *start-ip end-ip*
7. Repeat Steps 5 and 6 for each DHCP class you need to associate to the DHCP pool.

DETAILED STEPS

	Command or Action	Purpose
Step 1	enable Example: Router> enable	Enables privileged EXEC mode. <ul style="list-style-type: none"> • Enter your password if prompted.
Step 2	configure terminal Example: Router# configure terminal	Enters global configuration mode.
Step 3	ip dhcp pool <i>name</i> Example: Router# ip dhcp pool ABC	Configures a DHCP address pool on a Cisco IOS DHCP server and enters DHCP pool configuration mode. <ul style="list-style-type: none"> • Multiple pools can be configured with the same class, eliminating the need to configure the same pattern in multiple pools.
Step 4	network <i>network-number</i> [<i>mask</i> / <i>prefix-length</i>] Example: Router(dhcp-config)# network 10.0.20.0	Configures the subnet number and mask for a DHCP address pool on a Cisco IOS DHCP server.
Step 5	class <i>class-name</i> Example: Router(dhcp-config)# class CLASS1	Associates a class with a pool and enters DHCP pool class configuration mode. <ul style="list-style-type: none"> • This command will also create a DHCP class if the DHCP class is not yet defined.

Command or Action	Purpose
<p>Step 6 <code>address range start-ip end-ip</code></p> <p>Example:</p> <pre>Router(dhcp-pool-class)# address range 10.0.20.1 10.0.20.100</pre>	<p>(Optional) Sets an address range for a DHCP class in a DHCP server address pool.</p> <ul style="list-style-type: none"> If this command is not configured for a class, the default value is the entire subnet of the pool.
<p>Step 7 Repeat Steps 5 and 6 for each DHCP class you need to associate to the DHCP pool.</p>	<p>Each class in the DHCP pool will be examined for a match in the order configured.</p>

Configuring a Static Route with the Next Hop Dynamically Obtained Through DHCP

Perform this task to configure a static route to use a DHCP default gateway as the next-hop router.

This task enables static routes to be assigned using a DHCP default gateway as the next-hop router. This behavior was not possible before the introduction of this feature because the gateway IP address is not known until after the DHCP address assignment. A static route could not be configured with the command-line interface (CLI) that used that DHCP-supplied address.

The static routes are installed in the routing table when the default gateway is assigned by the DHCP server. The routes remain in the routing table until the DHCP lease expires, at which time the routes are removed.

When a DHCP client releases an address, the corresponding static route (the route configured with the **ip route** command) is automatically removed from the routing table. If the DHCP router option (option 3 of the DHCP packet) changes during the client renewal, the DHCP default gateway changes to the new IP address supplied in the renewal.

This feature is particularly useful for VPN deployments such as Dynamic Multipoint VPNs (DMVPNs). This feature is useful when a nonphysical interface like a multipoint generic routing encapsulation (mGRE) tunnel is configured on the router and certain traffic needs to be excluded from going to the tunnel interface.

Verify all DHCP client and server configuration steps. Ensure that the DHCP client and server are properly defined to supply a DHCP router option 3 of the DHCP packet.



Note

- If the DHCP client is not able to obtain an IP address or default router IP address, the static route is not installed in the routing table.
- If the lease has expired and the DHCP client cannot renew the address, the DHCP IP address assigned to the client is released and any associated static routes are removed from the routing table.

SUMMARY STEPS

1. **enable**
2. **configure terminal**
3. **ip route** *prefix mask {ip-address | interface-type interface-number [ip-address]}* **dhcp** [*distance*]
4. **end**
5. **show ip route**

DETAILED STEPS

Command or Action	Purpose
Step 1 enable Example: <pre>Router> enable</pre>	Enables privileged EXEC mode. <ul style="list-style-type: none"> • Enter your password if prompted.
Step 2 configure terminal Example: <pre>Router# configure terminal</pre>	Enters global configuration mode.
Step 3 ip route <i>prefix mask {ip-address interface-type interface-number [ip-address]}</i> dhcp [<i>distance</i>] Example: <pre>Router(config)# ip route 209.165.200.225 255.255.255.255 dhcp</pre>	Assigns a static route for the default next-hop router when the DHCP server is accessed for an IP address. <ul style="list-style-type: none"> • If more than one interface on a router is configured to obtain an IP address from a DHCP server, use the ip route <i>prefix mask interface-type interface-number dhcp</i> command for each interface. If the interface is not specified, the route is added to the routing table as soon as any of the interfaces obtain an IP address and default router.
Step 4 end Example: <pre>Router(config)# end</pre>	Returns to privileged Exec mode.
Step 5 show ip route Example: <pre>Router# show ip route</pre>	(Optional) Displays the current state of the routing table. <ul style="list-style-type: none"> • Use this command to display assigned static routes once the DHCP client obtains an address and a default router address from the DHCP server.

Clearing DHCP Server Variables

Perform this task to clear DHCP server variables.

SUMMARY STEPS

1. enable
2. clear ip dhcp binding {address | *}
3. clear ip dhcp conflict {address | *}
4. clear ip dhcp server statistics

DETAILED STEPS

Command or Action	Purpose
Step 1 enable Example: Router> enable	Enables privileged EXEC mode. <ul style="list-style-type: none"> • Enter your password if prompted.
Step 2 clear ip dhcp binding {address *} Example: Router# clear ip dhcp binding *	Deletes an automatic address binding from the DHCP database. <ul style="list-style-type: none"> • Specifying the <i>address</i> argument clears the automatic binding for a specific (client) IP address, whereas specifying an asterisk (*) clears all automatic bindings.
Step 3 clear ip dhcp conflict {address *} Example: Router# clear ip dhcp conflict 172.16.1.103	Clears an address conflict from the DHCP database. <ul style="list-style-type: none"> • Specifying the <i>address</i> argument clears the conflict for a specific IP address, whereas specifying an asterisk (*) clears conflicts for all addresses.
Step 4 clear ip dhcp server statistics Example: Router# clear ip dhcp server statistics	Resets all DHCP server counters to 0.

Configuration Examples for the Cisco IOS DHCP Server

- [Configuring the DHCP Database Agent Example, page 46](#)
- [Excluding IP Addresses Example, page 46](#)
- [Configuring DHCP Address Pools Example, page 46](#)
- [Configuring a DHCP Address Pool with Multiple Disjoint Subnets Example, page 47](#)
- [Configuring Manual Bindings Example, page 48](#)
- [Configuring Static Mapping Example, page 49](#)
- [Configuring the Option to Ignore all BOOTP Requests Example, page 49](#)
- [Importing DHCP Options Example, page 50](#)

- [Configuring DHCP Address Allocation Using Option 82 Example, page 51](#)
- [Configuring a Static Route with the Next-Hop Dynamically Obtained Through DHCP Example, page 52](#)

Configuring the DHCP Database Agent Example

The following example shows how to store bindings on host 172.16.4.253. The file transfer protocol is FTP. The server should wait 2 minutes (120 seconds) before writing database changes.

```
ip dhcp database ftp://user:password@172.16.4.253/router-dhcp write-delay 120
```

Excluding IP Addresses Example

In the following example, server A and server B service the subnet 10.0.20.0/24. Splitting the subnet equally between the two servers, server A is configured to allocate IP addresses 10.0.20.1 to 10.0.20.125 and server B is configured to allocate IP addresses 10.0.20.126 to 10.0.20.254.

Server A

```
ip dhcp excluded-address 10.0.20.126 10.0.20.255
!
ip dhcp pool A
 network 10.0.20.0 255.255.255.0
```

Server B

```
ip dhcp excluded-address 10.0.20.0 10.0.20.125
!
ip dhcp pool B
 network 10.0.20.0 255.255.255.0
```

Configuring DHCP Address Pools Example

In the following example, three DHCP address pools are created: one in network 172.16.0.0, one in subnetwork 172.16.1.0, and one in subnetwork 172.16.2.0. Attributes from network 172.16.0.0--such as the domain name, DNS server, NetBIOS name server, and NetBIOS node type--are inherited in subnetworks 172.16.1.0 and 172.16.2.0. In each pool, clients are granted 30-day leases and all addresses in each subnetwork, except the excluded addresses, are available to the DHCP server for assigning to clients. The table below lists the IP addresses for the devices in three DHCP address pools.

Table 9 DHCP Address Pool Configuration Example

Pool 0 (Network 172.16.0.0)	Pool 1 (Subnetwork 172.16.1.0)	Pool 2 (Subnetwork 172.16.2.0)			
Device	IP Address	Device	IP Address	Device	IP Address
Default routers	-	Default routers	172.16.1.100	Default routers	172.16.2.100
			172.16.1.101		172.16.2.101

Pool 0 (Network 172.16.0.0)	Pool 1 (Subnetwork 172.16.1.0)	Pool 2 (Subnetwork 172.16.2.0)			
DNS server	172.16.1.102 172.16.2.102	--	--	--	--
NetBIOS name server	172.16.1.103 172.16.2.103	--	--	--	--
NetBIOS node type	h-node	--	--	--	--

```

ip dhcp database ftp://user:password@172.16.4.253/router-dhcp write-delay 120
ip dhcp excluded-address 172.16.1.100 172.16.1.103
ip dhcp excluded-address 172.16.2.100 172.16.2.103
!
ip dhcp pool 0
 network 172.16.0.0 /16
 domain-name cisco.com
 dns-server 172.16.1.102 172.16.2.102
 netbios-name-server 172.16.1.103 172.16.2.103
 netbios-node-type h-node
!
ip dhcp pool 1
 network 172.16.1.0 /24
 default-router 172.16.1.100 172.16.1.101
 lease 30
!
ip dhcp pool 2
 network 172.16.2.0 /24
 default-router 172.16.2.100 172.16.2.101
 lease 30

```

Configuring a DHCP Address Pool with Multiple Disjoint Subnets Example

Multiple disjoint subnets in a DHCP pool can be used in any of the following network topologies:

- IP address pooling--The DHCP client and server reside on the same subnet.
- DHCP relay--The DHCP client and DHCP server communicate through a DHCP relay agent where the relay interface is configured with secondary IP addresses.
- Hierarchical DHCP--The DHCP server is configured as the DHCP subnet allocation server, and the DHCP client and DHCP subnet allocation server communicate through an on-demand address pool (ODAP) router.

In the following example, one DHCP address pool named pool3 is created; the primary subnet is 172.16.0.0/16, one secondary subnet is 172.16.1.0/24, and another secondary subnet is 172.16.2.0/24.

- When the IP addresses in the primary subnet are exhausted, the DHCP server inspects the secondary subnets in the order in which the subnets were added to the pool.
- When the DHCP server allocates an IP address from the secondary subnet 172.16.1.0/24, the server uses the subnet-specific default router list that consists of IP addresses 172.16.1.100 and 172.16.1.101. When the DHCP server allocates an IP address from the subnet 172.16.2.0/24, however, the server uses the pool-wide list that consists of the four IP addresses from 172.16.0.100 to 172.16.0.103.
- Other attributes from the primary subnet 172.16.0.0/16--such as the domain name, DNS server, NetBIOS name server, and NetBIOS node type--are inherited in both of the secondary subnets.
- DHCP clients are granted 30-day leases on IP addresses in the pool. All addresses in each subnet, except the excluded addresses, are available to the DHCP server for assigning to clients.

The table below lists the IP addresses for the devices in the DHCP address pool that consists of three disjoint subnets.

Table 10 *DHCP Address Pool Configuration with Multiple Disjoint Subnets Example*

Primary Subnet (172.16.0.0/16)	First Secondary Subnet (172.16.1.0/24)	Second Secondary Subnet (172.16.2.0/24)			
Device	IP Address	Device	IP Address	Device	IP Address
Default routers	172.16.0.100	Default routers	172.16.1.100	Default routers	172.16.0.100
	172.16.0.101		172.16.1.101		172.16.0.101
	172.16.0.102				172.16.0.102
	172.16.0.103				172.16.0.103
DNS server	172.16.1.102	--	--	--	--
	172.16.2.102				
NetBIOS name server	172.16.1.103	--	--	--	--
	172.16.2.103				
NetBIOS node type	h-node	--	--	--	--

```
ip dhcp database ftp://user:password@172.16.4.253/router-dhcp write-delay 120
ip dhcp excluded-address 172.16.0.100 172.16.1.103
ip dhcp excluded-address 172.16.1.100 172.16.1.101
!
ip dhcp pool pool3
network 172.16.0.0 /16
default-router 172.16.0.100 172.16.2.101 172.16.0.102 172.16.0.103
domain-name cisco.com
dns-server 172.16.1.102 172.16.2.102
netbios-name-server 172.16.1.103 172.16.2.103
netbios-node-type h-node
lease 30
!
network 172.16.1.0 /24 secondary
  override default-router 172.16.1.100 172.16.1.101
end
!
network 172.16.2.0 /24 secondary
```

Configuring Manual Bindings Example

The following example shows how to create a manual binding for a client named example1.cisco.com that sends a client identifier in the DHCP packet. The MAC address of the client is 02c7.f800.0422 and the IP address of the client is 172.16.2.254.

```
ip dhcp pool pool1
host 172.16.2.254
client-identifier 01b7.0813.8811.66
client-name example1
```

The following example shows how to create a manual binding for a client named example2.cisco.com that do not send a client identifier in the DHCP packet. The MAC address of the client is 02c7.f800.0422 and the IP address of the client is 172.16.2.253.

```
ip dhcp pool pool2
 host 172.16.2.253
 hardware-address 02c7.f800.0422 ethernet
 client-name example1
```

Because attributes are inherited, the two preceding configurations are equivalent to the following:

```
ip dhcp pool pool1
 host 172.16.2.254 255.255.255.0
 hardware-address 02c7.f800.0422 ieee802
 client-name client1
 default-router 172.16.2.100 172.16.2.101
 domain-name cisco.com
 dns-server 172.16.1.102 172.16.2.102
 netbios-name-server 172.16.1.103 172.16.2.103
 netbios-node-type h-node
```

Configuring Static Mapping Example

The following example shows how to restart the DHCP server, configure the pool, and specify the URL at which the static mapping text file is stored:

```
no service dhcp
 service dhcp
 ip dhcp pool abcpool
 origin file tftp://10.1.0.1/staticfilename
```



Note

The static mapping text file can be copied to flash memory on the router and served by the TFTP process of the router. In this case, the IP address in the origin file line must be an address owned by the router and one additional line of configuration is required on the router: **tftp-server flash static-filename**

Configuring the Option to Ignore all BOOTP Requests Example

The following example shows two DHCP pools that are configured on the router and that the router's DHCP server is configured to ignore all received BOOTP requests. If a BOOTP request is received from subnet 10.0.18.0/24, the request will be dropped by the router (because the **ip helper-address** command is not configured). If there is a BOOTP request from subnet 192.168.1.0/24, the request will be forwarded to 172.16.1.1 via the **ip helper-address** command.

```
version 12.2
 service timestamps debug uptime
 service timestamps log uptime
 no service password-encryption
 !
 hostname Router
 !
 ip subnet-zero
 !
 ip dhcp bootp ignore
 !
 ip dhcp pool ABC
 network 192.168.1.0 255.255.255.0
 default-router 192.168.1.3
 lease 2
 !
```

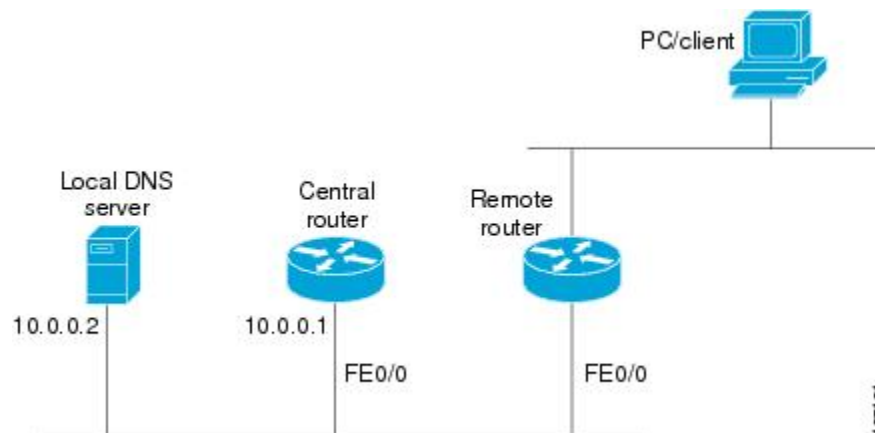
```
ip dhcp pool DEF
  network 10.0.18.0 255.255.255.0
!
ip cef
!
interface FastEthernet0/0
  no ip address
  shutdown
  duplex half
!
interface Ethernet1/0
  ip address 10.0.18.68 255.255.255.0
  duplex half
!
interface Ethernet1/1
  ip address 192.168.1.1 255.255.255.0
  ip helper-address 172.16.1.1
  duplex half
!
interface Ethernet1/2
  shutdown
  duplex half
!
interface Ethernet1/3
  no ip address
  shutdown
  duplex half
!
interface FastEthernet2/0
  no ip address
  shutdown
  duplex half
!
ip route 172.16.1.1 255.255.255.255 e1/0
no ip http server
no ip pim bidir-enable
!
call rsvp-sync
!
mgcp profile default
!
dial-peer cor custom
!
gatekeeper
  shutdown
!
line con 0
line aux 0
line vty 0 4
!
end
```

Importing DHCP Options Example

The following example shows a remote and central server configured to support the importing of DHCP options. The central server is configured to automatically update DHCP options, such as DNS and WINS addresses, within the DHCP pools. In response to a DHCP request from a local client behind CPE

equipment, the remote server can request or “import” these option parameters from the centralized server. See the figure below for a diagram of the network topology.

Figure 7



Central Router

```
!do not assign this range to DHCP clients
ip dhcp-excluded address 10.0.0.1 10.0.0.5
!
ip dhcp pool central
! Specifies network number and mask for DHCP clients
network 10.0.0.0 255.255.255.0
! Specifies the domain name for the client
domain-name central
! Specifies DNS server that will respond to DHCP clients when they need to correlate
host ! name to ip address
dns-server 10.0.0.2
!Specifies the NETBIOS WINS server
netbios-name-server 10.0.0.2
!
interface FastEthernet0/0
ip address 10.0.0.1 255.255.255.0
duplex auto
speed auto
```

Remote Router

```
ip dhcp pool client
! Imports DHCP option parameters into DHCP server database
import all
network 172.16.2.254 255.255.255.0
!
interface FastEthernet0/0
ip address dhcp
duplex auto
speed auto
```

Configuring DHCP Address Allocation Using Option 82 Example

This example configures two DHCP classes. CLASS1 defines the group of DHCP clients whose address requests contain the relay agent information option with the specified hexadecimal values. CLASS2 defines the group of DHCP clients whose address requests contain the configured relay agent information

suboptions. CLASS3 has no pattern configured and is treated as a “match to any” class. This type of class is useful for specifying a “default” class.

In the following example, the subnet of pool ABC has been divided into three ranges without further subnetting of the 10.0.20.0/24 subnet. If there is a DHCP Discover message from the 10.0.20.0/24 subnet with option 82 matching that of class CLASS1, an available address in the range from 10.0.20.1 to 10.0.20.100 will be allocated. If there is no free address in CLASS1's address range, the DHCP Discover message will be matched against CLASS2, and so on.

Thus, each class in the DHCP pool will be examined for a match in the order configured by the user. In pool ABC, the order of matching is CLASS1, CLASS2, and finally CLASS3. In pool DEF, class CLASS2 does not have any address range configured. By default, the address range for a particular class is the pool's entire subnets. Therefore, clients matching CLASS2 may be allocated addresses from 11.0.20.1 to 11.0.20.254.

Multiple pools can be configured with the same class, eliminating the need to configure the same patterns in multiple pools. In the future, further classification method may be implemented. For example, there may be a need to specify that one or more pools should be used only to service a particular class of devices (for example, cable modems and IP phones).

```
! Defines the DHCP classes and relay information patterns
ip dhcp class CLASS1
  relay agent information
  relay-information hex 01030a0b0c02050000000123
  relay-information hex 01030a0b0c02*
  relay-information hex 01030a0b0c02050000000000 bitmask 00000000000000000000FF
ip dhcp class CLASS2
  relay agent information
  relay-information hex 01040102030402020102
  relay-information hex 01040101030402020102
ip dhcp class CLASS3
  relay agent information
! Associates the DHCP pool with DHCP classes
ip dhcp pool ABC
  network 10.0.20.0 255.255.255.0
  class CLASS1
    address range 10.0.20.1 10.0.20.100
  class CLASS2
    address range 10.0.20.101 10.0.20.200
  class CLASS3
    address range 10.0.20.201 10.0.20.254
ip dhcp pool DEF
  network 172.64.2.2 255.255.255.0
  class CLASS1
    address range 172.64.2.3 172.64.2.10
  class CLASS2
```

Configuring a Static Route with the Next-Hop Dynamically Obtained Through DHCP Example

The following example shows how to configure two Ethernet interfaces to obtain the next-hop router IP address from the DHCP server:

```
ip route 10.10.10.0 255.255.255.0 dhcp 200
ip route 10.10.20.1 255.255.255.255 ethernet 1 dhcp
```

Additional References

The following sections provide references related to configuring the Cisco IOS DHCP server.

Related Documents

Related Topic	Document Title
DHCP commands: complete command syntax, command mode, command history, defaults, usage guidelines, and examples	<i>Cisco IOS IP Addressing Services Command Reference</i>
DHCP conceptual information	“DHCP Overview” module
DHCP relay agent configuration	“Configuring the Cisco IOS DHCP Relay Agent” module
DHCP server on-demand address pools	“Configuring the DHCP Server On-Demand Address Pool Manager” module
DHCP client configuration	“Configuring the Cisco IOS DHCP Client” module
DHCP advanced features	“Configuring DHCP Services for Accounting and Security” module
DHCP enhancements for edge-session management	“Configuring DHCP Enhancements for Edge-Session Management” module
DHCP options	“DHCP Options” appendix in the <i>Network Registrar User’s Guide</i> , Release 6.1.1

Standards

Standards	Title
No new or modified standards are supported by this functionality.	--

MIBs

MIBs	MIBs Link
No new or modified MIBs are supported by this feature, and support for existing MIBs has not been modified by this feature.	To locate and download MIBs for selected platforms, Cisco IOS releases, and feature sets, use Cisco MIB Locator found at the following URL: http://www.cisco.com/go/mibs

RFCs

RFCs	Title
RFC 951	<i>Bootstrap Protocol (BOOTP)</i>
RFC 1542	<i>Clarifications and Extensions for the Bootstrap Protocol</i>
RFC 2131	<i>Dynamic Host Configuration Protocol</i>

RFCs	Title
RFC 2132	<i>DHCP Options and BOOTP Vendor Extensions</i>

Technical Assistance

Description	Link
<p>The Cisco Support website provides extensive online resources, including documentation and tools for troubleshooting and resolving technical issues with Cisco products and technologies.</p> <p>To receive security and technical information about your products, you can subscribe to various services, such as the Product Alert Tool (accessed from Field Notices), the Cisco Technical Services Newsletter, and Really Simple Syndication (RSS) Feeds.</p> <p>Access to most tools on the Cisco Support website requires a Cisco.com user ID and password.</p>	http://www.cisco.com/cisco/web/support/index.html

Feature Information for the Cisco IOS DHCP Server

The following table provides release information about the feature or features described in this module. This table lists only the software release that introduced support for a given feature in a given software release train. Unless noted otherwise, subsequent releases of that software release train also support that feature.

Use Cisco Feature Navigator to find information about platform support and Cisco software image support. To access Cisco Feature Navigator, go to www.cisco.com/go/cfn. An account on Cisco.com is not required.

Table 11 Feature Information for the Cisco IOS DHCP Server

Feature Name	Releases	Feature Configuration Information
DHCP Address Allocation Using Option 82	12.3(4)T 12.2(28)SB 12.2(33)SRB	<p>The Cisco IOS DHCP server can allocate dynamic IP addresses based on the relay information option (option 82) information sent by the relay agent.</p> <p>The following commands were introduced or modified: address range, class, ip dhcp class, ip dhcp use class, relay agent information, relay-information hex.</p>

Feature Name	Releases	Feature Configuration Information
DHCP Server Import All Enhancement	12.2(15)T 12.2(33)SRC	The feature is an enhancement to the import all global configuration command. Before this feature was introduced, the options imported through the import all command were overwritten by those imported by another subsystem. Through this feature, options imported by multiple subsystems can coexist in the DHCP address pool. When the session is terminated or the lease is released, the imported options are cleared.
DHCP Server Multiple Subnet	12.4(15)T 12.2(33)SRB	This feature enables multiple subnets to be configured under the same DHCP address pool. The following commands were introduced or modified: network(DHCP) , override default-router .
DHCP Server Option to Ignore all BOOTP Requests	12.2(8)T 12.2(28)SB	This feature allows the Cisco IOS DHCP server to selectively ignore and not reply to received Bootstrap Protocol (BOOTP) request packets. The following command was introduced or modified: ip dhcp bootp ignore .
DHCP Static Mapping	12.3(11)T 12.2(28)SB 12.2(33)SRC	Configuring static mapping pools enables the DHCP server to read the static bindings from a separate text file (similar in format to the DHCP database file) that is stored in these special pools. The following command was introduced or modified: origin .

Feature Name	Releases	Feature Configuration Information
DHCP Statically Configured Routes Using a DHCP Gateway	12.3(8)T 12.2(28)S 12.2(33)SRC	<p>This feature enables the configuration of static routes that point to an assigned DHCP next-hop router.</p> <p>The following commands were introduced or modified: ip route, show ip route.</p>

Cisco and the Cisco Logo are trademarks of Cisco Systems, Inc. and/or its affiliates in the U.S. and other countries. A listing of Cisco's trademarks can be found at www.cisco.com/go/trademarks. Third party trademarks mentioned are the property of their respective owners. The use of the word partner does not imply a partnership relationship between Cisco and any other company. (1005R)

Any Internet Protocol (IP) addresses and phone numbers used in this document are not intended to be actual addresses and phone numbers. Any examples, command display output, network topology diagrams, and other figures included in the document are shown for illustrative purposes only. Any use of actual IP addresses or phone numbers in illustrative content is unintentional and coincidental.



DHCP Server Port-Based Address Allocation

First Published: June 4, 2010

Last Updated: Sept 9, 2010

The DHCP Server Port-Based Address Allocation feature provides port-based address allocation support on the Cisco IOS Dynamic Host Configuration Protocol (DHCP) server for the Ethernet platform. The DHCP server provides address assignment support based on the point of attachment of the client network.

- [Finding Feature Information, page 139](#)
- [Restrictions for DHCP Server Port-Based Address Allocation, page 139](#)
- [Information About DHCP Server Port-Based Address Allocation, page 139](#)
- [How to Configure DHCP Server Port-Based Address Allocation, page 140](#)
- [Configuration Examples for DHCP Server Port-Based Address Allocation, page 145](#)
- [Additional References, page 146](#)
- [Feature Information for DHCP Server Port-Based Address Allocation, page 147](#)

Finding Feature Information

Your software release may not support all the features documented in this module. For the latest feature information and caveats, see the release notes for your platform and software release. To find information about the features documented in this module, and to see a list of the releases in which each feature is supported, see the Feature Information Table at the end of this document.

Use Cisco Feature Navigator to find information about platform support and Cisco software image support. To access Cisco Feature Navigator, go to www.cisco.com/go/cfn. An account on Cisco.com is not required.

Restrictions for DHCP Server Port-Based Address Allocation

The DHCP Server Port-Based Address Allocation feature does not support Virtual routing and forwarding (VRF) and virtual private network (VPNs).

Information About DHCP Server Port-Based Address Allocation

- [DHCP Server Port-Based Address Allocation Feature Design, page 140](#)

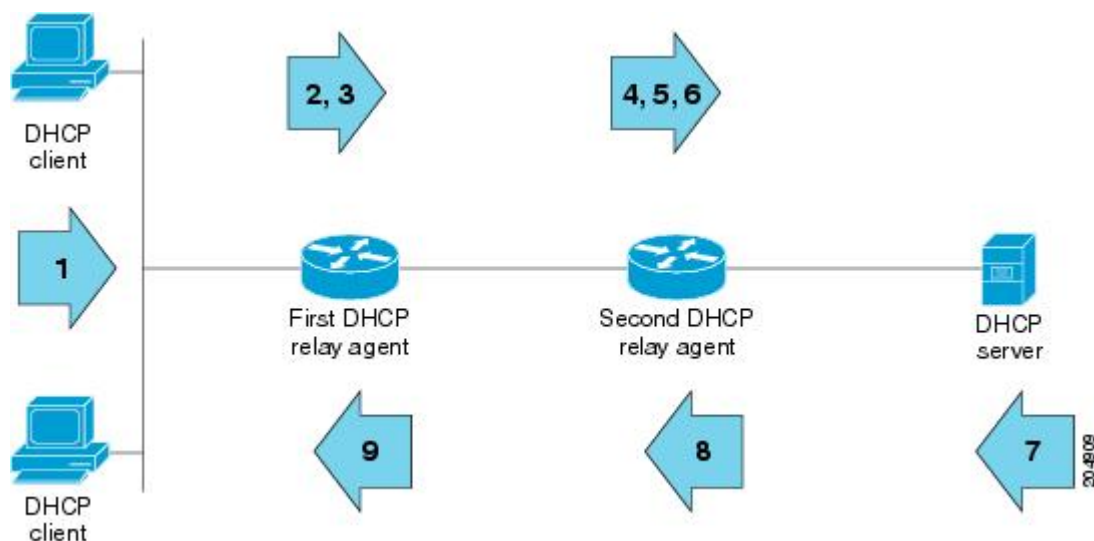
DHCP Server Port-Based Address Allocation Feature Design

When Cisco industrial Ethernet switches are deployed on the factory floor, they offer connectivity to the directly connected manufacturing devices. A failure manufacturing device must be repaired immediately in the existing network or replaced by a new device. The DHCP protocol recognizes DHCP clients by the client identifier (ID) option in the DHCP packet. Clients who do not include the client ID option are identified by the client hardware address. The DHCP Server Port-Based Address Allocation feature introduces the capability to ensure that the same IP address is always offered to the replacement device as the device being replaced. This IP address is always offered to the same connected port even as the client ID or client hardware address (chaddr) changes in the DHCP messages received on that port.

If this feature is configured, the port name of the interface overrides the information the client sends and the actual point of connection. Then a port on the switch becomes the client ID.

In all cases, if you connect the Ethernet cable to the same port, the same IP address is allocated through the DHCP to the attached device. The figure below shows an industrial Ethernet switch using DHCP to assign one IP address per port to directly connected manufacturing devices.

Figure 8



How to Configure DHCP Server Port-Based Address Allocation

- [Automatically Generating a Subscriber Identifier for a DHCP Message Received on a Port](#), page 141
- [Preassigning IP Addresses and Associating Them to a Client](#), page 142
- [Preassigning IP Addresses and Associating Them to a Client](#), page 144

Automatically Generating a Subscriber Identifier for a DHCP Message Received on a Port

Perform this task to automatically generate a unique ID, called a subscriber ID for a DHCP message received on a port.

If the DHCP Server Port-Based Address Allocation feature is configured, the subscriber ID value is used in place of the client ID to provide stable IP address assignment. The subscriber ID value is based on the short name of the port to which the directly connected device is attached. If this device is removed and replaced with a new device, the new device maintains the same subscriber ID.

The subscriber ID is used at the same point where the client ID or the client MAC address is currently captured during the DHCP IP address assignment process.

SUMMARY STEPS

1. **enable**
2. **configure terminal**
3. **ip dhcp use subscriber-id client-id**
4. **interface type number**
5. **ip dhcp server use subscriber-id client-id**

DETAILED STEPS

Command or Action	Purpose
<p>Step 1 enable</p> <p>Example:</p> <pre>Router> enable</pre>	<p>Enables privileged EXEC mode.</p> <ul style="list-style-type: none"> • Enter your password if prompted.
<p>Step 2 configure terminal</p> <p>Example:</p> <pre>Router# configure terminal</pre>	<p>Enters global configuration mode.</p>
<p>Step 3 ip dhcp use subscriber-id client-id</p> <p>Example:</p> <pre>Router(config)# ip dhcp use subscriber-id client-id</pre>	<p>Configures the DHCP server to globally use the subscriber ID as the client ID on all incoming DHCP messages.</p> <ul style="list-style-type: none"> • DHCP uses the subscriber ID configured on the interface to generate the client ID. If no subscriber ID is configured then the client ID is automatically generated based on the short name of the interface. The client ID already present in the message is ignored. • For port based address allocation, do not configure any subscriber ID on the interface. It must be generated automatically from interface name.

Command or Action	Purpose
Step 4 <code>interface type number</code> Example: <pre>Router(config)# interface Ethernet 0/0</pre>	(Optional) Configures an interface and enters interface configuration mode.
Step 5 <code>ip dhcp server use subscriber-id client-id</code> Example: <pre>Router(config-if)# ip dhcp server use subscriber-id client-id</pre>	(Optional) Configures the DHCP server to use the subscriber ID as the client ID on all incoming DHCP messages on the interface.

- [Troubleshooting Tips, page 142](#)

Troubleshooting Tips

Use the following command to debug any errors that you may encounter when you configure DHCP to automatically generate a unique ID:

- `debug ip dhcp server packets`

Preassigning IP Addresses and Associating Them to a Client

Perform this task to preassign an IP address and associate it to a client identified by a client ID or MAC address.

For port-based address assignment, you must perform the task in the [Automatically Generating a Subscriber Identifier for a DHCP Message Received on a Port, page 141](#) task to associate the client ID with the subscriber ID. The subscriber ID value is based on the short name of the port to which the directly connected device is attached.

Configure a normal DHCP pool by supplying any DHCP options and lease time. Preassigned addresses are automatically excluded from normal dynamic IP address assignment. Preassigned addresses cannot be used in host pools, but there can be multiple preassigned addresses per DHCP address pool.



Note

- Only one IP address can be assigned per port.
- Preassigned addresses (also called reserved addresses) cannot be cleared by using the `clear ip dhcp binding` command.

>

SUMMARY STEPS

1. **enable**
2. **configure terminal**
3. **ip dhcp pool** *name*
4. **network** *network-number* [*mask* | / *prefix-length*]
5. **address** *ip-address* **client-id** *string* [**ascii**]
6. **address** *ip-address* **hardware-address** *mac-address* [*hardware-number*]
7. **end**
8. **show ip dhcp pool** [*name*]
9. **show ip dhcp binding**

DETAILED STEPS

Command or Action	Purpose
Step 1 enable Example: <pre>Router> enable</pre>	Enables privileged EXEC mode. <ul style="list-style-type: none"> • Enter your password if prompted.
Step 2 configure terminal Example: <pre>Router# configure terminal</pre>	Enters global configuration mode.
Step 3 ip dhcp pool <i>name</i> Example: <pre>Router(config)# ip dhcp pool pool1</pre>	Creates a name for the DHCP server address pool and enters DHCP pool configuration mode.
Step 4 network <i>network-number</i> [<i>mask</i> / <i>prefix-length</i>] Example: <pre>Router(dhcp-config)# network 10.10.10.0 /24</pre>	Specifies the subnet network number and mask of the DHCP address pool.
Step 5 address <i>ip-address</i> client-id <i>string</i> [ascii] Example: <pre>Router(dhcp-config)# address 10.10.10.2 client-id Et1/0 ascii</pre>	Reserves an IP address for a DHCP client identified by the client ID. <ul style="list-style-type: none"> • The <i>string</i> argument can be an ASCII value or a hexadecimal value. • For port-based address allocation the <i>string</i> argument must be the name of the port and the ascii keyword must be specified.

Command or Action	Purpose
<p>Step 6 <code>address ip-address hardware-address mac-address [hardware-number]</code></p> <p>Example:</p> <pre>Router(dhcp-config)# address 10.10.10.3 hardware-address b708.1388.f166</pre>	<p>(Optional) Reserves an IP address for a client identified by the hardware address.</p> <ul style="list-style-type: none"> This command is used for clients identified by the hardware address included in the fixed-size header of the DHCP message.
<p>Step 7 <code>end</code></p> <p>Example:</p> <pre>Router(dhcp-config)# end</pre>	<p>Returns to privileged EXEC mode.</p>
<p>Step 8 <code>show ip dhcp pool [name]</code></p> <p>Example:</p> <pre>Router> show ip dhcp pool</pre>	<p>(Optional) Displays information about DHCP address pools.</p>
<p>Step 9 <code>show ip dhcp binding</code></p> <p>Example:</p> <pre>Router> show ip dhcp binding</pre> <p>Example:</p>	<p>(Optional) Displays infinite binding for the configured addresses.</p>

Preassigning IP Addresses and Associating Them to a Client



Note

Perform this task to restrict address assignments from the DHCP address pool only to preconfigured reservations.

When the DHCP Server Port-Based Address Allocation feature is configured on multiple switches, devices connected to one switch may also receive an IP address assignment from the neighboring switches rather than the local DHCP address pool switch. If you want the switch to serve only the client directly connected to the switch, you can configure a group of switches with pools that share a common IP subnet and ignore the requests from other clients (not connected to this switch).

>

SUMMARY STEPS

1. **enable**
2. **configure terminal**
3. **ip dhcp pool *name***
4. **reserved-only**

DETAILED STEPS

	Command or Action	Purpose
Step 1	enable Example: Router> enable	Enables privileged EXEC mode. <ul style="list-style-type: none"> • Enter your password if prompted.
Step 2	configure terminal Example: Router# configure terminal	Enters global configuration mode.
Step 3	ip dhcp pool <i>name</i> Example: Router(config)# ip dhcp pool pool1	Configures a DHCP address pool on a DHCP server and enters DHCP pool configuration mode.
Step 4	reserved-only Example: Router(dhcp-config)# reserved-only	Restricts address assignments from the DHCP address pool only to the preconfigured reservations.

Configuration Examples for DHCP Server Port-Based Address Allocation

- [DHCP Server Port-Based Address Allocation Example, page 145](#)

DHCP Server Port-Based Address Allocation Example

In the following example, a subscriber ID will be automatically generated based on the short name of the interface (port) specified by the **address client-id** command. The DHCP server will ignore any client ID

fields in the DHCP messages and use this subscriber ID as the client ID. The DHCP client is preassigned IP address 10.1.1.7.

```
!
ip dhcp use subscriber-id client-id
ip dhcp subscriber-id interface-name
ip dhcp excluded-address 10.1.1.1 10.1.1.3
!
ip dhcp pool dhcpool
network 10.1.1.0 255.255.255.0
address 10.1.1.7 client-id Et1/0 ascii
```

The following example shows that the preassigned address was correctly reserved in the DHCP pool:

```
Router# show ip dhcp pool dhcpool
Pool test :
  Current index      IP address range      Leased/Total
  10.1.1.1          10.1.1.1 - 10.1.1.254  0 / 254
  3 reserved addresses are currently in the pool :
Address      Client
10.1.1.07   Et1/0
10.1.1.20   xyz
10.1.1.30   aabb.cc00.1501
```

Additional References

Related Documents

Related Topic	Document Title
DHCP commands: complete command syntax, command mode, command history, defaults, usage guidelines, and examples	<i>Cisco IOS IP Addressing Services Command Reference</i>

Standards

Standard	Title
No new or modified standards are supported by this feature and support for existing standards has not been modified by this feature.	--

MIBs

MIB	MIBs Link
No new or modified standards are supported by this feature and support for existing standards has not been modified by this feature.	To locate and download MIBs for selected platforms, Cisco software releases, and feature sets, use Cisco MIB Locator found at the following URL: http://www.cisco.com/go/mibs

RFCs

RFC	Title
No new or modified RFCs are supported by this feature.	--

Technical Assistance

Description	Link
The Cisco Support and Documentation website provides online resources to download documentation, software, and tools. Use these resources to install and configure the software and to troubleshoot and resolve technical issues with Cisco products and technologies. Access to most tools on the Cisco Support and Documentation website requires a Cisco.com user ID and password.	http://www.cisco.com/cisco/web/support/index.html

Feature Information for DHCP Server Port-Based Address Allocation

The following table provides release information about the feature or features described in this module. This table lists only the software release that introduced support for a given feature in a given software release train. Unless noted otherwise, subsequent releases of that software release train also support that feature.

Use Cisco Feature Navigator to find information about platform support and Cisco software image support. To access Cisco Feature Navigator, go to www.cisco.com/go/cfn. An account on Cisco.com is not required.

Table 12 **Feature Information for DHCP Port-Based Address Allocation**

Feature Name	Releases	Feature Information
DHCP Server Port-Based Address Allocation	12.2(33)SX14 Cisco IOS XE 3.1.0SG	<p>The DHCP Server Port-Based Address Allocation feature provides port-based address allocation support on the Cisco IOS DHCP server for the industrial Ethernet platform. The DHCP server provides address assignment support based on the point of attachment of the client to the network.</p> <p>The following commands were introduced or modified: address client-id, address hardware-address, ip dhcp server use subscriber-id client-id, ip dhcp subscriber-id interface-name, ip dhcp use subscriber-id client-id, reserved-only, and show ip dhcp pool.</p>

Cisco and the Cisco Logo are trademarks of Cisco Systems, Inc. and/or its affiliates in the U.S. and other countries. A listing of Cisco's trademarks can be found at www.cisco.com/go/trademarks. Third party trademarks mentioned are the property of their respective owners. The use of the word partner does not imply a partnership relationship between Cisco and any other company. (1005R)

Any Internet Protocol (IP) addresses and phone numbers used in this document are not intended to be actual addresses and phone numbers. Any examples, command display output, network topology diagrams, and other figures included in the document are shown for illustrative purposes only. Any use of actual IP addresses or phone numbers in illustrative content is unintentional and coincidental.