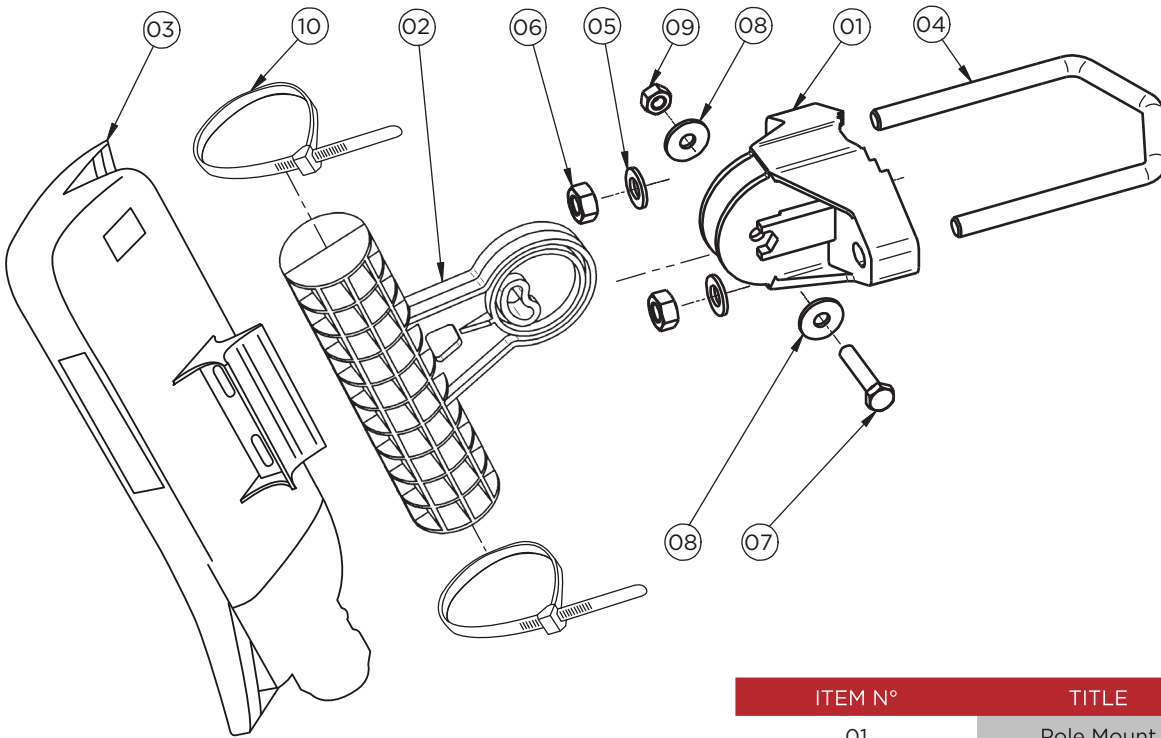


FM-BRKT

Pole/Wall mounting bracket for FM1200-VOLO and FM-PONTE50 Radios

The Fluidmesh FM-BRKT is a mounting bracket specifically designed to enhance the installation flexibility of Fluidmesh VOLO radios. The bracket combines Pan and Tilt adjustment for fine tuning of the antenna orientation. It can be pre-mounted on the radio and a metallic U-bolt ensures a robust and stable installation on the pole.



ITEM N°	TITLE	QUANTITY
01	Pole Mount	1
02	Swivel Rod	1
03	Fluidmesh Radio	1
04	U Bolt	1
05	Washer 8.4	2
06	Nut M8	2
07	Screw M6x25	1
08	Washer 6.4	2
09	Nut M6	1
10	Tie-wraps	2

Fluidmesh Networks products are installed locally by professional System Integrators and are available worldwide through a network of Authorized Dealers. For additional information please call +1.617.209.6080 or visit us at fluidmesh.com