



Quick Start Guide



Cisco WAP361 Wireless-AC/N Dual Radio Wall Plate Access Point with PoE

Welcome

Thank you for choosing the Cisco WAP361 Wireless-AC/N Dual Radio Wall Plate Access Point with PoE. The Cisco WAP361 is an indoor concurrent dual-band radio 802.11ac and 802.11n access point with integrated PoE switch. -PoE Supplied by UL Listed I.T.E.

This guide provides the general layout of the Cisco WAP361, describe how to deploy the Cisco WAP361 in your network, and describe how to configure the Cisco WAP361. For additional information, see www.cisco.com/go/300_wap_resources.

Package Contents

- Wireless Access Point
- Mounting Kit
- This Quick Start Guide
- Ethernet Cable
- Technical Support Contact
- Pointer Card China RoHS
- EU Directives 1999/5/EC Compliance Information (for EU SKU only)

1

Before You Begin

Before you begin the installation, make sure that you have the following equipment and services:

- A computer with browser support for:
 - Internet Explorer 7.0 or later
 - Chrome 5.0 or later
 - Firefox 3.0 or later
 - Safari 3.0 or later
- Tools for installing the hardware
- FindIt tool for locating the access point
- One or more Ethernet network switches with PoE
- Mobile devices (iPhone, Android, etc.) via wireless setup SSID. (Configure via Wi-Fi mobile device with a web browser.)

2

Cisco WAP361 Features

Front Panel

The front panel of the Cisco WAP361 consists of one system LED. For full descriptions of the colors of the lights and their indications, see [“Verifying the Hardware Installation”](#).

Back Panel

RESET—See [“Rebooting the Cisco WAP361 or Resetting to Factory Defaults”](#) for information on the RESET button.

PD/LAN0—The Powered Device (PD/LAN0) port is used to power the Cisco WAP361 using PoE.

Right-Side Panel

The right-side panel of the Cisco WAP361 has a Kensington lock slot. You can use it to attach a cable and lock to the Cisco WAP361.

48V DC—The 48V DC jack is used to connect the power adapter to the Cisco WAP361 if you are not using PoE.

Top Panel

The top panel of the Cisco WAP361 has the security screw hole.

Bottom Panel

PSE—The Power Sourcing Equipment (PSE) port is used to power the device that is connected to the Cisco WAP361 through this port.

LAN1-4—The RJ-45 Ethernet port is an auto-sensing, Gigabit Ethernet (802.3) port used to connect the Cisco WAP361 to network devices, such as computers, routers, or switches. We strongly recommend that you use a Category 5e or better cable for gigabit connectivity.

Default Settings

Parameter	Default Value
Username	cisco
Password	cisco
LAN IP Address	DHCP address assigned by server
Fallback LAN IP	192.168.1.245
Subnetwork Mask	255.255.255.0

If you are using a Cisco RV series router, the default range for the DHCP assigned address is from 192.168.1.100 to 192.168.1.254. Any device connecting to the same LAN will be assigned an IP address in this range.

3 Mounting the Cisco WAP361

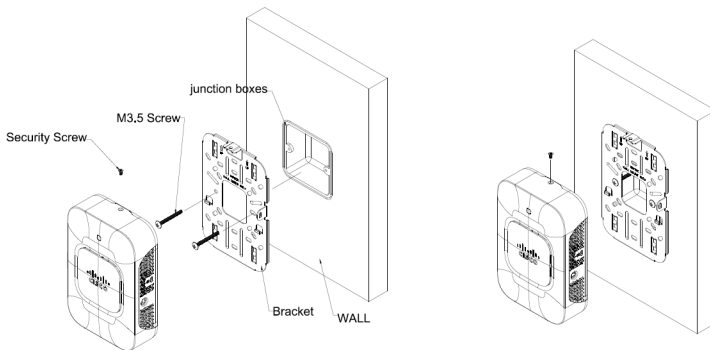
- We recommend that you mount the Cisco WAP361 to a wall or junction box.

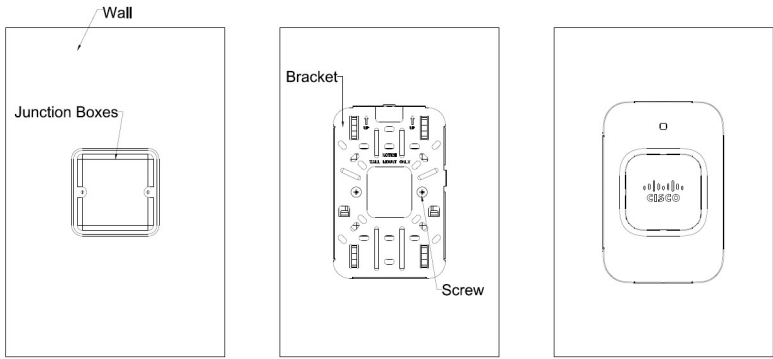
Placement Tips

- **Ambient Temperature**—To prevent the Cisco WAP361 from overheating, do not operate it in an area that exceeds an ambient temperature of 104°F (40°C).
- **Air Flow**—Both side panels have vents that must be unobstructed to prevent overheating.
- **Mechanical Loading**—The Cisco WAP361 should be level, stable, and secure to prevent it from sliding or shifting out of position.

Wall Mounting

Cisco WAP361 access points can be mounted on walls and junction boxes, in the vertical orientation with the security screw on the top and the LED which is located above the Cisco logo.





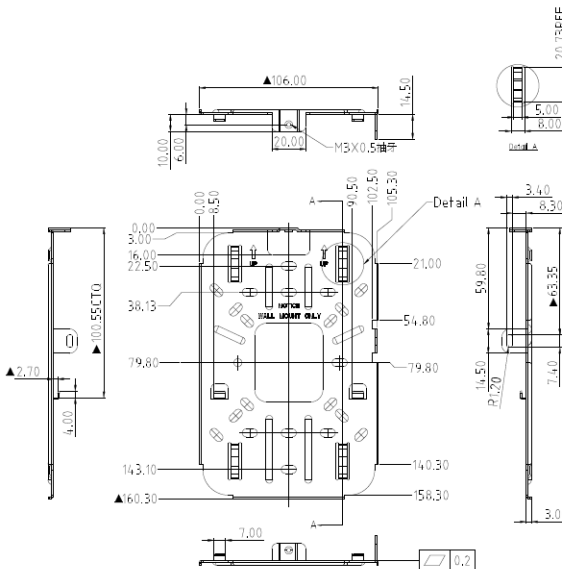
STEP 1 If you are mounting the AP directly to a junction box, go to **Step 3**. For wall mounting, use the mounting bracket as a template to mark the locations of the mounting holes on the bracket. **Figure 1** shows the dimensions of the mounting bracket.



CAUTION

To ensure a safe and secure installation, make sure you are using adequate screws and mount the access point using no less than two screws.

Figure 1 *Mounting Bracket Dimensions*

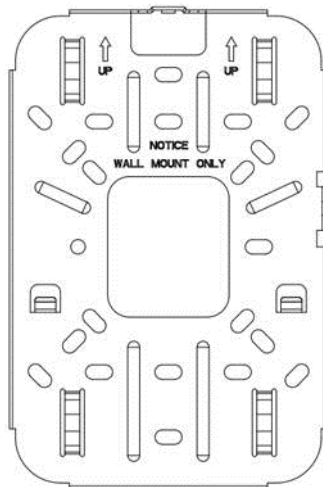


STEP 2 For wall mounting, drill four pilot holes at the mounting hole locations you have marked (at opposite corners of the bracket), and use appropriate anchors as required.

NOTE The pilot hole size varies according to the material, and its thickness, you are fastening. Cisco recommends that you test the material to determine the ideal hole size for your mounting application.

STEP 3 Feed the cable(s) from the junction box / wall through the large center cable access hole in the bracket, with the words “NOTICE WALL MOUNT ONLY” facing you as shown in **Figure 2**.

Figure 2 Bracket Mounting Direction

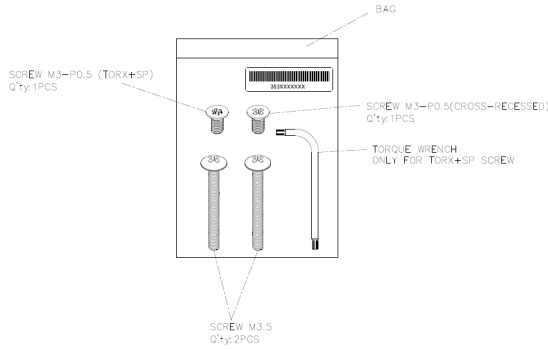


STEP 4 Position the mounting bracket mounting holes (with the words “NOTICE WALL MOUNT ONLY” facing you) over the screw holes.

STEP 5 Insert a screw into each mounting hole and tighten.

NOTE Screws supplied in kit (see **Figure 3**) may not be appropriate for *all* mounting options. You may need to obtain screws which fit your custom installation.

Figure 3 *Mounting Bracket Screw Dimensions*



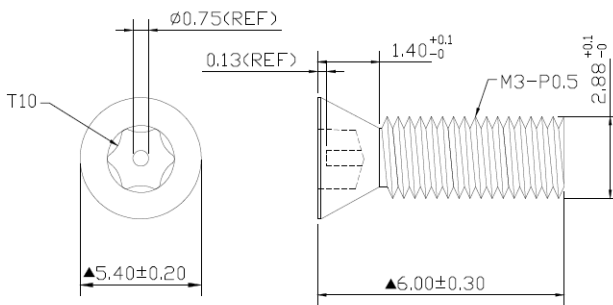
NOTE Make sure all cables are clear and the bracket sits flush against the wall / junction box. The joint created with the screws must have a minimum pullout force of 20 lbs (9 kg).

STEP 6 Connect the Ethernet cable and the power cable (optional) to the access point.

STEP 7 With the access point's LAN1-4 ports facing down and the rear metal side of the access point facing the bracket, gently slide the access point onto the bracket. If properly done, the Kensington lock slot on the AP and the security screw hole on the mounting bracket will be aligned.

STEP 8 Insert the security screw (see **Figure 4**) into the hole on the top of the access point and tighten it till the screw head is flush with the access point's body (see **Figure 2**). The security screw is provided in the Mounting Kit.

Figure 4 *Security Screw Dimensions*



All dimensions in millimeters (mm).

4

Connecting the Cisco WAP361

You can perform the initial configuration using either a wired or wireless connection. The default configuration of the Cisco WAP361 has the Wi-Fi radio turned on.

To connect the Cisco WAP361 to the wired network:

-
- STEP 1** Connect the Ethernet cable to the Ethernet port of a switch, a router, or a PC.
 - STEP 2** Connect the other end of the network Ethernet cable to the Ethernet port of the Cisco WAP361.
 - STEP 3** If PoE is not provided, plug in the supplied power adapter to provide power to the Cisco WAP361.
-

This wireless default configuration will not allow traffic between WiFi and Ethernet; users will need to go through the setup wizard to resume the traffic between WiFi and Ethernet.

To connect the Cisco WAP361 to the network wirelessly:

-
- STEP 1** Use wireless clients to locate the WAP361's SSID (CiscoSB-Setup).
 - STEP 2** Use the 'cisco123' passkey to access the access point.
- NOTE** The system provides a one-time-only access to configure the access point using a wireless connection.
-

After installation, all lights should be active. Refer to [Verifying the Hardware Installation](#) for details about the different lights on the Cisco WAP361.

5

Verifying the Hardware Installation

To verify the hardware installation, complete the following tasks:

- Check the cable connections.
- Check the state of the indicator light.

Label	Activity	Description
Power	Off	The WAP361 is out of power.
	Solid Green	The Cisco WAP361 is normal; no wireless client connected.
	Solid Blue	The Cisco WAP361 is normal; at least one wireless client connected.
	Solid Red	The Cisco WAP361 fails to boot with both firmware images.
	Flashing Green	The Cisco WAP361 is booting.
	Flashing Blue	Firmware upgrade is in progress.
LAN0-4	Off	No Ethernet link.
	Solid Green	Gigabit Ethernet link is active.
	Solid Amber	Fast Ethernet link is active.
	Flashing	Transmitting or receiving data.

NOTE If you need help resolving a problem, visit the Cisco Support Community at www.cisco.com/go/smallbizsupport.

Getting Started with the Configuration

To configure the Cisco WAP361, follow these steps to access the the web-based Configuration Utility and then the Setup Wizard from your computer:

STEP 1 Connect the Cisco WAP361 to the same network (IP subnet) as your computer. The factory default IP address configuration of the Cisco WAP361 is DHCP. Make sure that your DHCP server is running and can be reached.

See “**Incorrect IP Address**” for troubleshooting information, or if you do not have a DHCP server.

STEP 2 Locate the IP address of the Cisco WAP361.

- a. The Cisco WAP361 can be accessed and managed by Cisco network tools and services including the Cisco FindIT Network Discovery Utility that enables you to automatically discover all supported Cisco devices in the same local network segment as your computer. You can get a snapshot view of each device or launch the product configuration utility to view and configure the settings. For more information, see www.cisco.com/go/findit.
- b. The Cisco WAP361 is Bonjour-enabled and automatically broadcasts its services and listens for services being advertised by other Bonjour-enabled devices. If you have a Bonjour-enabled browser, such as Microsoft Internet Explorer with a Bonjour plug-in, or the Apple Mac Safari browser, you can find the Cisco WAP361 on your local network without knowing its IP address.

You can download the complete Bonjour for Microsoft Internet Explorer browser from Apple’s website by visiting:
<http://www.apple.com/bonjour/>

- c. Locate the IP address assigned by your DHCP server by accessing your router or DHCP server. See your DHCP server instructions for more information.

STEP 3 Launch a web browser, such as Microsoft Internet Explorer.

STEP 4 In the address bar, enter the default DHCP address and press the **Enter** key.

STEP 5 Enter the default user name of **cisco** and password of **cisco** in the **Username** and **Password** fields.

STEP 6 Click **Log In**. The Wireless Access Point Setup Wizard appears.

STEP 7 Follow the Setup Wizard instructions to finish the WAP device installation.

We strongly recommend that you use the Setup Wizard for the first installation. For more advanced configurations, see the Administration Guide. A link to the Administration Guide is found in “[Where to Go From Here](#)”.

Congratulations, you can now start using the Cisco WAP361.

7

Suggested Next Steps

In case of an error while installing, try the troubleshooting procedures described in this section.

Troubleshooting

If you cannot display the web-based Configuration Utility, you can test the ability of the computer to communicate with the Cisco WAP361 by using **ping**.

To use **ping** on a computer running Windows:

STEP 1 Verify that the Cisco WAP361 is powered on and the lights if they do not indicate the appropriate links.

STEP 2 Locate the Cisco WAP361’s IP address. While there are different ways to locate the IP address, this procedure uses Cisco FindIT.

- a. If you have previously downloaded Cisco FindIT, open Internet Explorer and launch Cisco FindIT. For more information on downloading Cisco FindIT, see www.cisco.com/go/findit.
- b. In the Cisco FindIT display, place your mouse over the device’s name. The Cisco WAP361’s IP address is displayed along with other device information.

STEP 3 Open a command window by choosing **Start > Run** and enter **cmd**.

STEP 4 At the **command** window prompt, enter **ping** and the Cisco WAP361’s IP address. In this example, we pinged **192.0.2.10**.

If successful, you should get a reply similar to the following:

```
Pinging 192.0.2.10 with 32 bytes of data:  
Reply from 192.0.2.10: bytes=32 time<1ms TTL=128
```

If it fails, you should get a reply similar to the following:

```
Pinging 192.0.2.10 with 32 bytes of data:  
Request timed out.
```

Possible Cause of Installation Failure

No Power

Power up the switch and your computer if they are turned off.

Make sure that your PoE switch is powered on and the lights indicate that you have a link. See [“Verifying the Hardware Installation”](#).

Verify that the devices on your network are not plugged into a switchable outlet.

Bad Ethernet Connection

Check the state of the indicator lights. See [“Verifying the Hardware Installation”](#).

Check the Ethernet cable to ensure that it is firmly connected to your devices. Devices connected by the Ethernet cable can include the WAP devices, and routers, any switches, and your computer.

Verify the connected switch has auto-negotiation enabled. The Cisco WAP361 and the switch need the same negotiation parameters set.

Bad Image

After a new firmware installation, if the POWER light is solid red, which indicates that the device fails to boot with both firmware images, contact system support; see [“Where to Go From Here”](#).

Incorrect IP Address

The most likely cause of connectivity failure is an incorrect IP address. The Web browser may be pointing to the wrong IP address, or your computer may be configured with an IP address that is not in the same subnet as the Cisco WAP361.

Because the factory default IP address configuration is DHCP, make sure that your DHCP server is running and can be reached. You may need to disconnect and reconnect the devices for them to discover their new IP addresses from the DHCP server. You can then query the DHCP server for the new IP address. See [Step 2 of “Getting Started with the Configuration”](#) for more information on how to find the DHCP address.

If the Cisco WAP361 does not receive a DHCP response (there is no DHCP server on your network) after 60 seconds, the Cisco WAP361 will fallback to the following default static IP address: 192.168.1.245 and a default mask of 255.255.255.0. To reach that IP address, be sure that your computer is on the 192.168.1.xxx network.

8

Rebooting the Cisco WAP361 or Resetting to Factory Defaults

To reboot your Cisco WAP361:

- If the Cisco WAP361 uses a power adapter, with the power on, use the **POWER** button to reboot the device. The **POWER** button only functions when the Cisco WAP361 uses a power adapter.
- If the power supply is PoE, unplug your Ethernet connection for three seconds and plug it back in.
- With the power on, press the **RESET** button with an opened paper clip for less than 10 seconds, or until the lights go off.
 - When all the lights go off, release the **RESET** button.
 - Release the **RESET** button as soon as the lights go off, or you will restore the Cisco WAP361 to factory default settings and lose your configurations.

To reset the Cisco WAP361 to factory default settings:

- With the power on, press and hold the **RESET** button with an opened paper clip for more than 10 seconds.
 - All of the lights will go off.
 - Release the **RESET** button when the power light turns on.

Support	
Cisco Support Community	www.cisco.com/go/smallbizsupport
Cisco Support and Resources	www.cisco.com/go/smallbizhelp
Phone Support Contacts	www.cisco.com/en/US/support/tsd_cisco_small_business_support_center_contacts.html
Cisco Firmware Downloads	www.cisco.com/go/smallbizfirmware Select a link to download firmware for Cisco products. No login is required.
Cisco Open Source Requests	www.cisco.com/go/smallbiz_opensource_request
Cisco Partner Central (Partner Login Required)	www.cisco.com/web/partners/sell/smb
Product Documentation	
Cisco WAP361 Administration Guide	www.cisco.com/go/300_wap_resources
Cisco Power Adapters	www.cisco.com/go/wap_accessories

For EU lot 26 related test result, please check this web page:
www.cisco.com/go/eu-lot26-results.

Americas Headquarters

Cisco Systems, Inc.
www.cisco.com



Cisco has more than 200 offices worldwide. Addresses, phone numbers, and fax numbers are listed on the Cisco website at www.cisco.com/go/offices.

78-100811-01_A0

Cisco and the Cisco logo are trademarks or registered trademarks of Cisco and/or its affiliates in the U.S. and other countries. To view a list of Cisco trademarks, go to this URL: www.cisco.com/go/trademarks. Third-party trademarks mentioned are the property of their respective owners. The use of the word partner does not imply a partnership relationship between Cisco and any other company. (1110R)

© 2015 Cisco Systems, Inc. All rights reserved.