



Memory Guide

Cisco UCS AMD M8 Memory Guide

CISCO SYSTEMS
170 WEST TASMAN DR
SAN JOSE, CA, 95134
WWW.CISCO.COM

PUBLICATION HISTORY
REV A.04, MAY 10, 2024

CONTENTS

- Introduction3
- CHAPTER 1 MEMORY ORGANIZATION CAPABILITIES AND FEATURE4
- CHAPTER 2 MEMORY OPTIONS5
- CHAPTER 3 DRAM GUIDELINES6
- CHAPTER 4 SUPPORTED DRAM DIMM CONFIGURATIONS8
- CHAPTER 5 INSTALLING a DIMM or DIMM BLANK 10

Introduction

The AMD M8 Memory guide provides the detailed specifications of the AMD M8 memory DIMMs including:

- Memory DIMMs features
- Cisco PID's description
- Memory DIMMs guidelines, mixing rules and populations
- All AMD M8 supported DIMM configurations

The AMD M8 Memory Guide document applies to the following Cisco AMD M8 generation servers:

- C245 M8 Racks servers

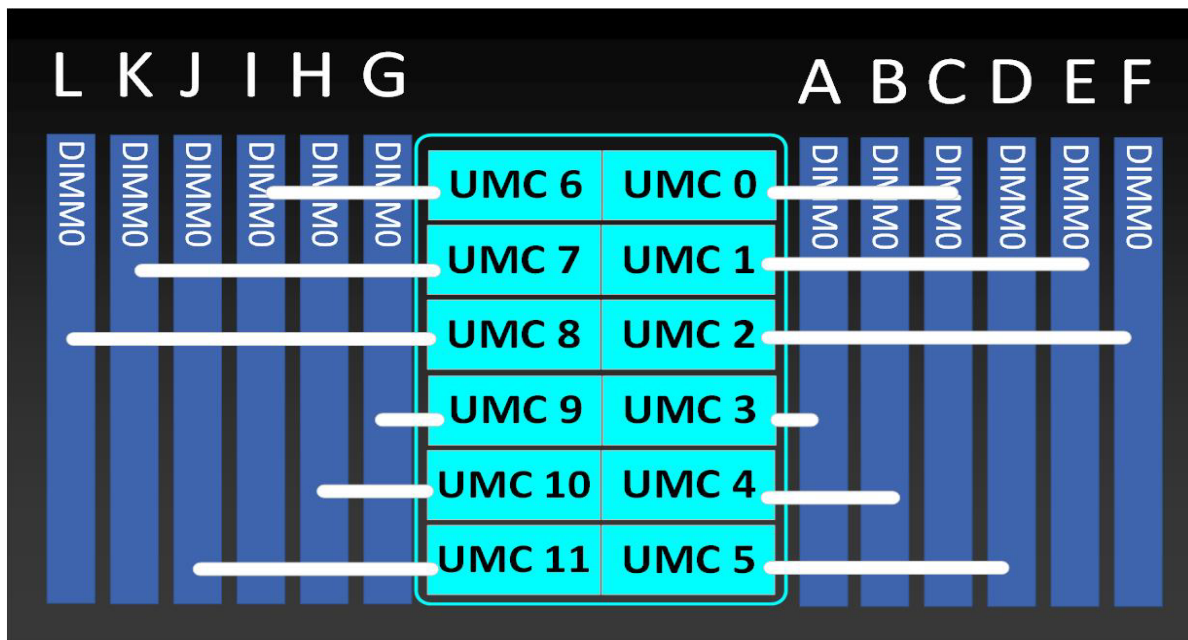
CHAPTER 1 MEMORY ORGANIZATION CAPABILITIES AND FEATURE

The *Table 1* below describes the main memory DIMM features supported on Cisco UCS AMD M8 servers.

Table 1 Main Memory Features

AMD M8 Memory DIMM server technologies	C245 M8
CPU Sockets	1S or 2S
DDR5 memory clock speed	4th Gen. CPU: Up to 4800 MT/s 1DPC
Operational voltage	1.1 Volts
DRAM fab density	16Gb and 24Gb
DRAM DIMM type	RDIMM (Registered DDR5 DIMM)
Memory DIMM organization	Twelve memory DIMM channels per CPU; 1 DIMMs per channel only
Maximum number of DRAM DIMM per server	Up to 24 (2-Socket)
DRAM DIMM Densities and Ranks	16GB 1Rx8, 32GB 1Rx4, 64GB 2Rx4, 128GB 4Rx4, 256GB 8Rx8
	48GB 1Rx4, 96GB 2Rx4
Maximum system capacity (DRAM DIMMs only)	6TB (24x256GB)

Figure 1 12-Channel Memory Organization



CHAPTER 2 MEMORY OPTIONS

- The available memory devices for UCS AMD M8 are listed in [Table 2](#)
- The memory PID decoder for AMD M8 Memory PIDs are shown in [Table 3](#)



NOTE: Cisco Memory DIMM PIDs used on C245 M8 server models are DDR5-5600 PIDs, although the memory will operate at the maximum speed of the AMD 4th Gen. CPU memory controller, up to 4800 MT/s. Check Table 5 for CPU SKUs definition and maximum memory speed

Table 2 Memory Options for UCS M8 servers with 4th Gen. AMD Processors

AMD M8 Memory DIMM Densities & Cisco PIDs	C245 M8
16GB	UCS-MRX16G1RE3
32GB	UCS-MRX32G1RE3
48GB ¹	UCS-MRX48G1RF3
64GB	UCS-MRX64G2RE3
96GB	UCS-MRX96G2RF3
128GB	UCS-MR128G4RE3
256GB ¹	UCS-MR256G8RE3

Notes:

1. Available in Q4CY24.

Table 3 Memory PID Decoder

Identifier#1	Identifier#2	Identifier#3	Identifier#4	Identifier#5	Identifier#6	Identifier#7
Cisco Product Family	Memory DIMM Type	DIMM Capacity (GB)	DIMM Org. (Rank)	DDR Generation & DRAM Density	DIMM Speed (Mega Transfers per second)	Option/Spare DIMM
UCS	MR: RDIMM	X16G X32G X48G X64G X96G 128G 256G	1R: Single-Rank 2R: Dual-rank 4R: Quad-rank 8R: Octa-rank	E: DDR5/16Gb F: DDR5/24Gb	3: 5600 MT/s	Blank: Option =: Spare

CHAPTER 3 DRAM GUIDELINES



GOLDEN RULE: Memory on every CPU socket shall be configured identically. Therefore, the memory configuration of CPU-1 will be identical to CPU-2 for a 2-Socket system. Unbalanced populations are unsupported.

■ DIMM Count Rules:

Table 4 Allowed DIMM Count for 1-CPU and 2-CPU

Allowed DIMM Count rules	Minimum Count	Maximum Count	Allowed Count	Not Allowed Count
16GB, 32GB, 48GB, 64GB, 96GB, 128GB, 256GB (4th Gen. CPUs)¹				
DIMM count for 1 CPU	1	12	1,2,4,6,8,10,12	3,5,7,9,11
DIMM count for 2-CPU	2	24	2,4,8,12,16,20,24	6,10,14,18, 22

Notes:

1. 1DPC support only.

■ DIMM Population Rules:

- When populating memory on a server powered by one or more 4th AMD EPYC processors:
 - All memory DIMMs must be RDIMM (16GB, 32GB, 48GB, 64GB, and 96GB) or RDIMM 3DS (128GB, and 256GB) module types.
 - All memory DIMMs must be Cisco DDR5-5600 memory PIDs, although the memory will operate at the maximum speed of the AMD 4th Gen. CPU memory controller, up to 4800 MT/s.
 - Balanced memory configurations maximize memory bandwidth by optimizing memory interleaving. To obtain a balanced memory configuration:
 - Populate each socket with 1, 2, 4, 6, 8, 10, or 12 memory channels.
 - Use the same memory configuration in all populated memory channels. No DIMM density mixing across channel is allowed.
 - Use the same DIMM configuration for each processor socket, on a 2-socket configuration.
 - No DIMM mixing within a channel is possible as C245 server supports only 1DPC.

Table 5 M8 DIMM population order for 16GB, 32GB, 48GB, 64GB, 96GB, 128GB, 256GB

#DIMMs per CPU	DIMM Population - 16GB, 32GB, 48GB, 64GB, 128GB, 256GB ¹
	Slot 1 (Blue)
1	A1
2	A1, G1
4	A1, C1, G1, I1
6	A1, B1, C1, G1, H1, I1
8	A1, B1, C1, E1, G1, H1, I1, K1
10	A1, B1, C1, D1, E1, G1, H1, I1, J1, K1

Table 5 M8 DIMM population order for 16GB, 32GB, 48GB, 64GB, 96GB, 128GB, 256GB

12	A1, B1, C1, D1, E1, F1, G1, H1, I1, J1, K1, L1
----	--

Notes:

1. 1DPC support only.

■ **Memory Limitations:**

- Memory on every CPU socket shall be configured identically.
- Refer to [Table 5](#) for DIMM population and DIMM mixing rules.
- Cisco Memory DIMM PIDs used on C245 M8 server models are DDR5-5600 PIDs, although the memory will operate at the maximum speed of the AMD 4th Gen. CPU memory controller, up to 4800 MT/s. Check Table 5 for CPU SKUs definition and maximum memory speed.

■ For best performance, observe the following:

Table 6 Maximum Memory Frequency - 4th Gen. CPU - 1 DIMM Per Channel only

4th Gen. CPU Memory Speed	DIMM	DIMM
	Rank	Max Speed
RDIMM	One Rank	4800 MT/s
	Two Rank	4800 MT/s
	Four Rank	4800 MT/s
	Eight Rank	4800 MT/s

CHAPTER 4 SUPPORTED DRAM DIMM CONFIGURATIONS

- **Table 7** below shows the supported DIMM configurations with 1, 2, 4, 6, 8 and 12 DIMMs per CPU.
- The rows highlighted in yellow are recommended for the best performance at a given capacity ([Performance measurement is Work In Progress](#)).

Table 7 Supported Memory Configurations for 4th Gen. AMD Processors

DIMM Total System Capacity		Capacity Per CPU	Total DIMMs Per CPU
1-CPU	2-CPU	Blue Slots A1 to H1	
16GB RDIMMs			
16 GB	32 GB	1x16GB	1
32 GB	64 GB	2x16GB	2
64 GB	128 GB	4x16GB	4
96 GB	192 GB	6x16GB	6
128 GB	256 GB	8x16GB	8
160 GB	320 GB	10x16GB	10
182 GB	364 GB	12x16GB	12
32GB RDIMMs			
32 GB	64 GB	1x32GB	1
64 GB	128 GB	2x32GB	2
128 GB	256 GB	4x32GB	4
192 GB	384 GB	6x32GB	6
256 GB	512 GB	8x32GB	8
320 GB	640 GB	10x32GB	10
384 GB	768 GB	12x32GB	12
48GB RDIMMs			
48 GB	96 GB	1x48GB	1
96 GB	192 GB	2x48GB	2
192 GB	384 GB	4x48GB	4
288 GB	576 GB	6x48GB	6
384 GB	768 GB	8x48GB	8
480 GB	960 GB	10x48GB	10
576 GB	1152 GB	12x48GB	12

Table 7 Supported Memory Configurations for 4th Gen. AMD Processors

DIMM Total System Capacity		Capacity Per CPU	Total DIMMs Per CPU
1-CPU	2-CPU	Blue Slots A1 to H1	
64GB RDIMMs			
64 GB	128 GB	1x64GB	1
128 GB	256 GB	2x64GB	2
256 GB	512 GB	4x64GB	4
384 GB	768 GB	6x64GB	6
512 GB	1024 GB	8x64GB	8
640 GB	1280 GB	10x64GB	10
768 GB	1536 GB	12x64GB	12
96GB RDIMMs			
96 GB	192 GB	1x96GB	1
192 GB	384 GB	2x96GB	2
384 GB	768 GB	4x96GB	4
576 GB	1152 GB	6x96GB	6
768 GB	1536 GB	8x96GB	8
960 GB	1920 GB	10x96GB	10
1152 GB	2304 GB	12x96GB	12
128GB RDIMMs			
128 GB	256 GB	1x128GB	1
256 GB	512 GB	2x128GB	2
512 GB	1024 GB	4x128GB	4
768 GB	1536 GB	6x128GB	6
1024 GB	2048 GB	8x128GB	8
1280 GB	2560 GB	10x128GB	10
1536 GB	3072 GB	12x128GB	12
256GB RDIMMs			
256 GB	512 GB	1x256GB	1
512 GB	1024 GB	2x256GB	2
1024 GB	2048 GB	4x256GB	4
1536 GB	3072 GB	6x256GB	6
2048 GB	4096 GB	8x256GB	8
2560 GB	5120 GB	10x256GB	10
3072 GB	6144 GB	12x256GB	12

CHAPTER 5 INSTALLING a DIMM or DIMM BLANK

To install a DIMM or a DIMM blank into a slot on the blade server, follow these steps.

Procedure

Step 1 Open both DIMM connector latches.

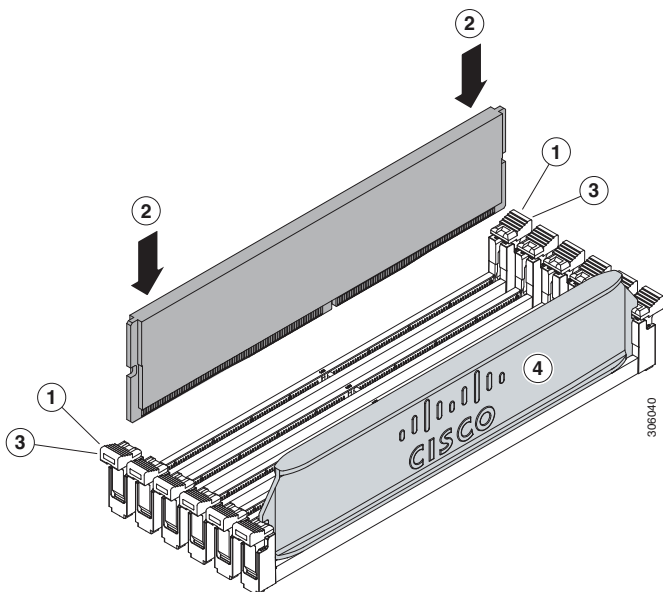
Step 2 Press evenly on both ends of the DIMM until it clicks into place in its slot

Note: Ensure that the notch in the DIMM aligns with the slot. If the notch is misaligned, it is possible to damage the DIMM, the slot, or both.

Step 3 Press the DIMM connector latches inward slightly to seat them fully.

Step 4 Populate all slots with a DIMM or DIMM blank. A slot cannot be empty.

Figure 2 Installing Memory



Americas Headquarters
Cisco Systems, Inc.
San Jose, CA

Asia Pacific Headquarters
Cisco Systems (USA) Pte. Ltd.
Singapore

Europe Headquarters
Cisco Systems International BV Amsterdam,
The Netherlands

Cisco has more than 200 offices worldwide. Addresses, phone numbers, and fax numbers are listed on the Cisco Website at www.cisco.com/go/offices.

Cisco and the Cisco Logo are trademarks of Cisco Systems, Inc. and/or its affiliates in the U.S. and other countries. A listing of Cisco's trademarks can be found at www.cisco.com/go/trademarks. Third party trademarks mentioned are the property of their respective owners. The use of the word partner does not imply a partnership relationship between Cisco and any other company. (1005R)